

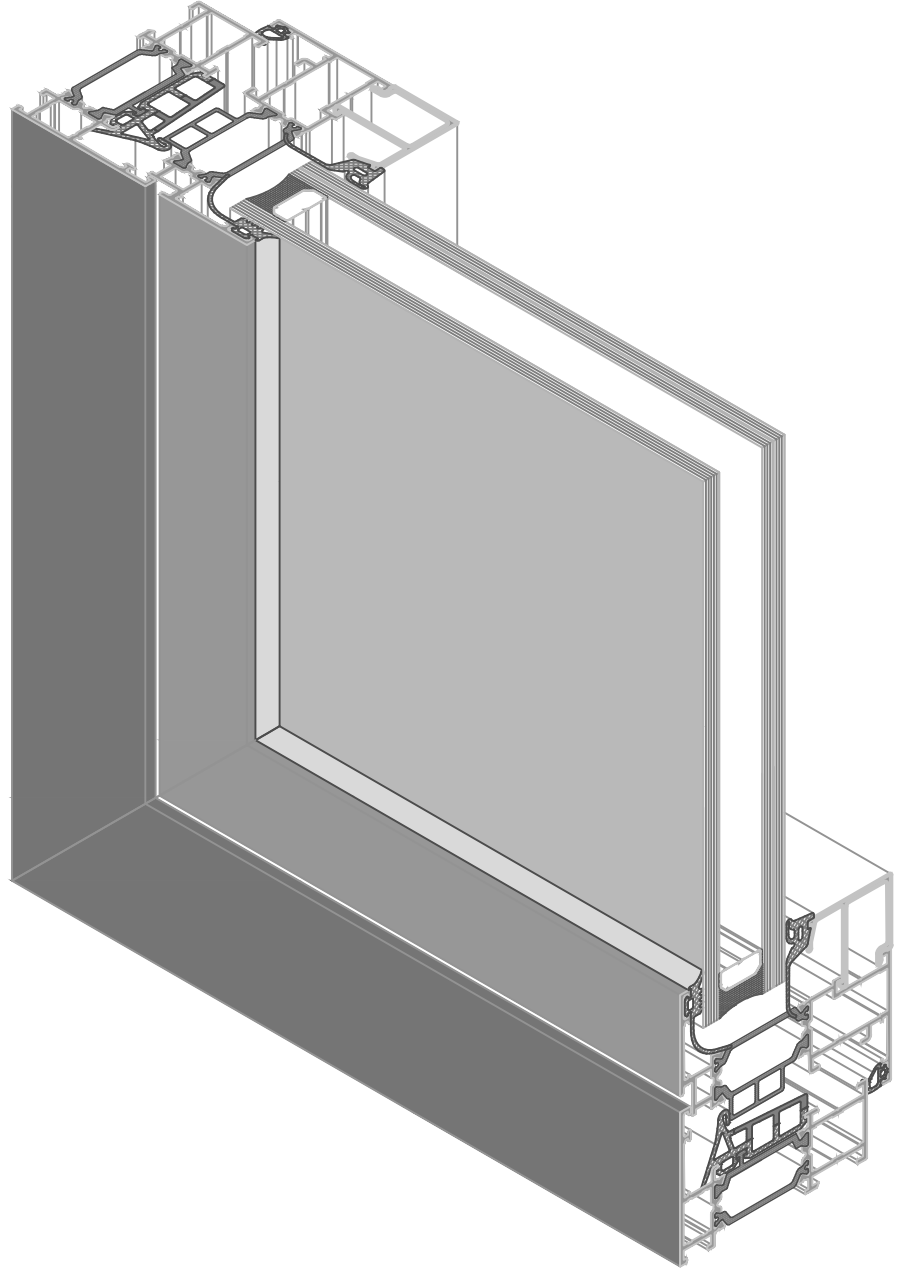
SARAY®

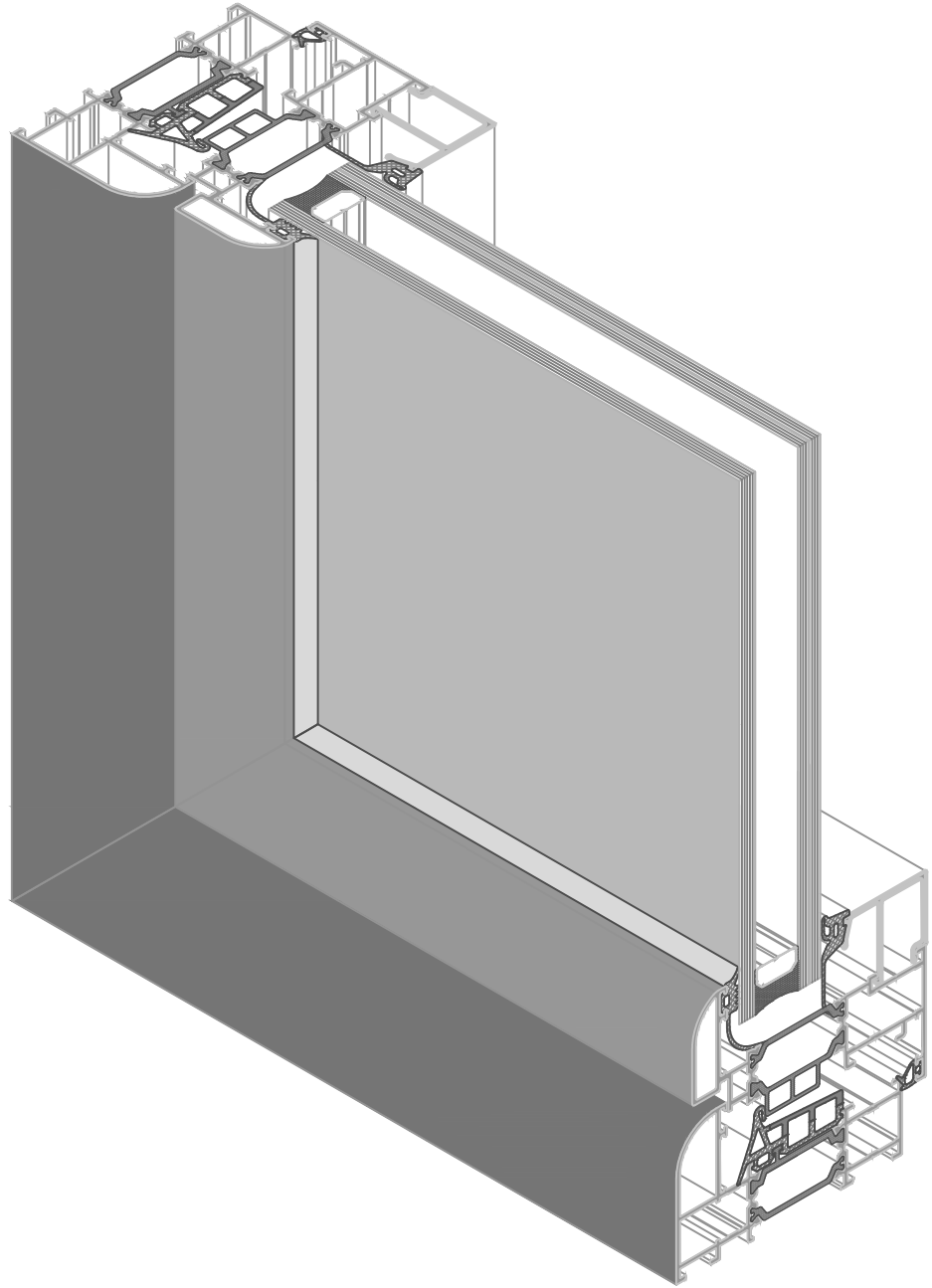
all about **aluminium**

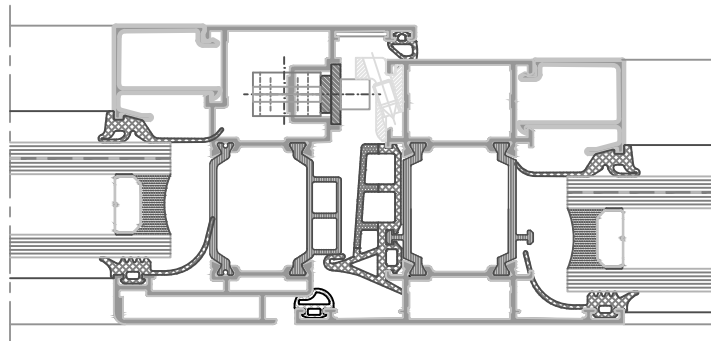
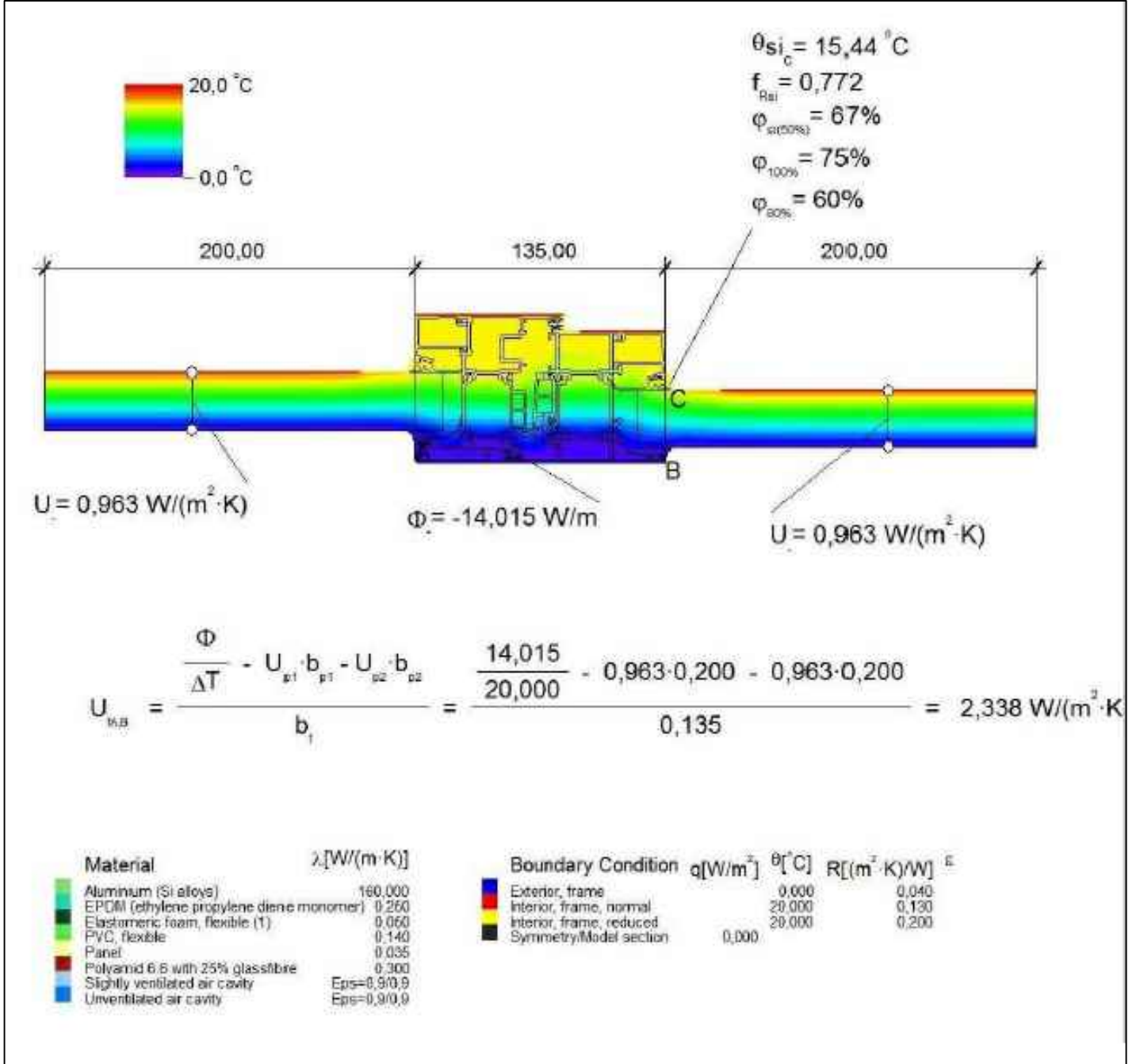


Aesthetic design with
high thermal performance

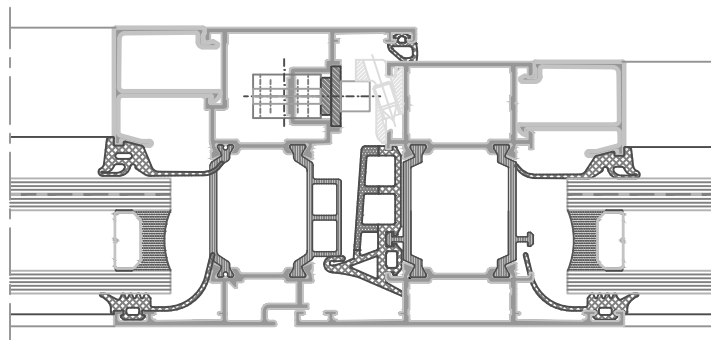
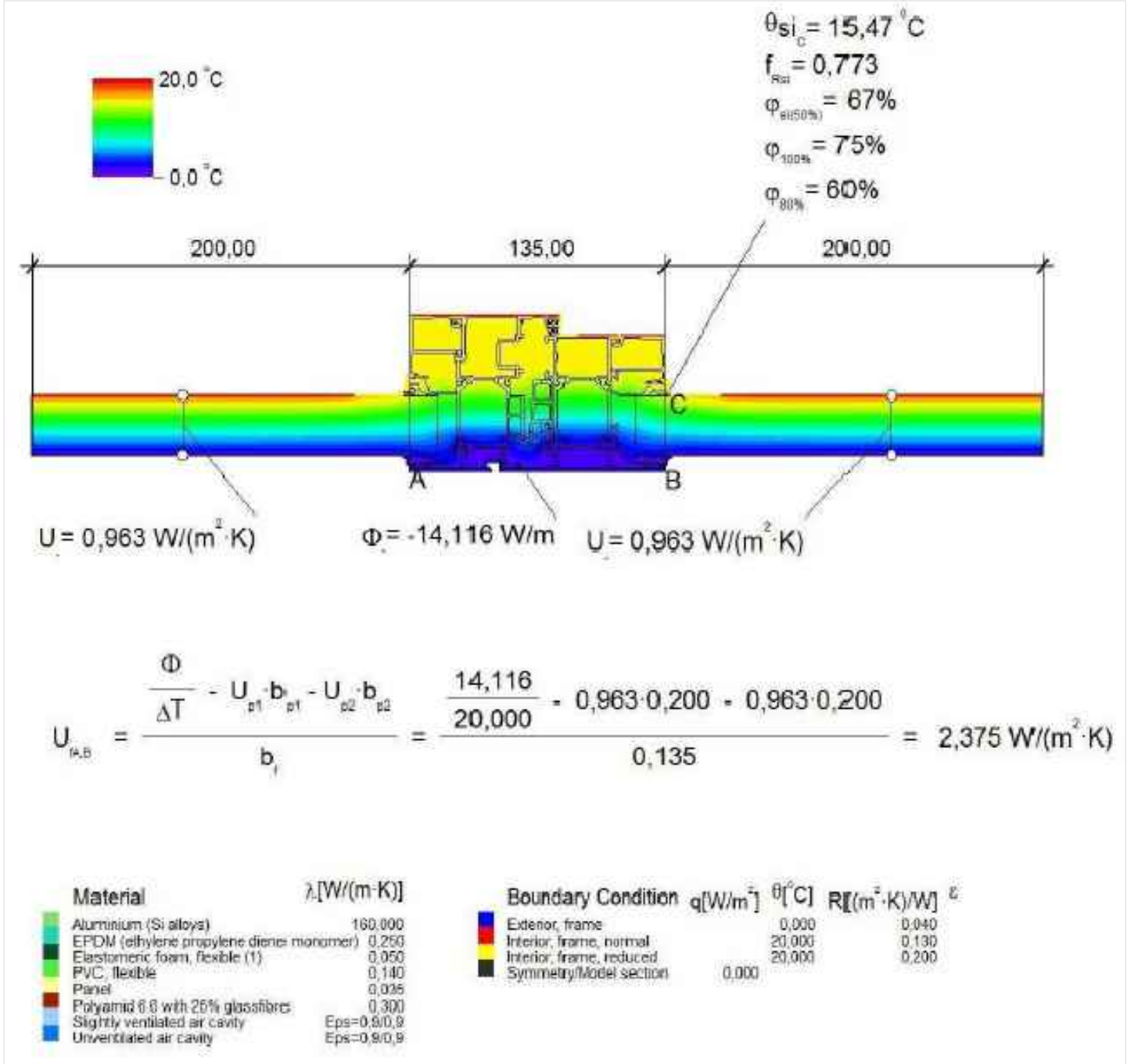
EWT 70 WINDOWS and
DOORS SYSTEM
PROFILES, GASKETS and
ACCESSORIES



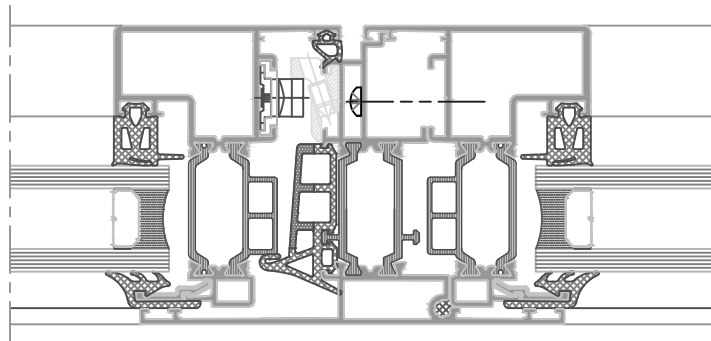
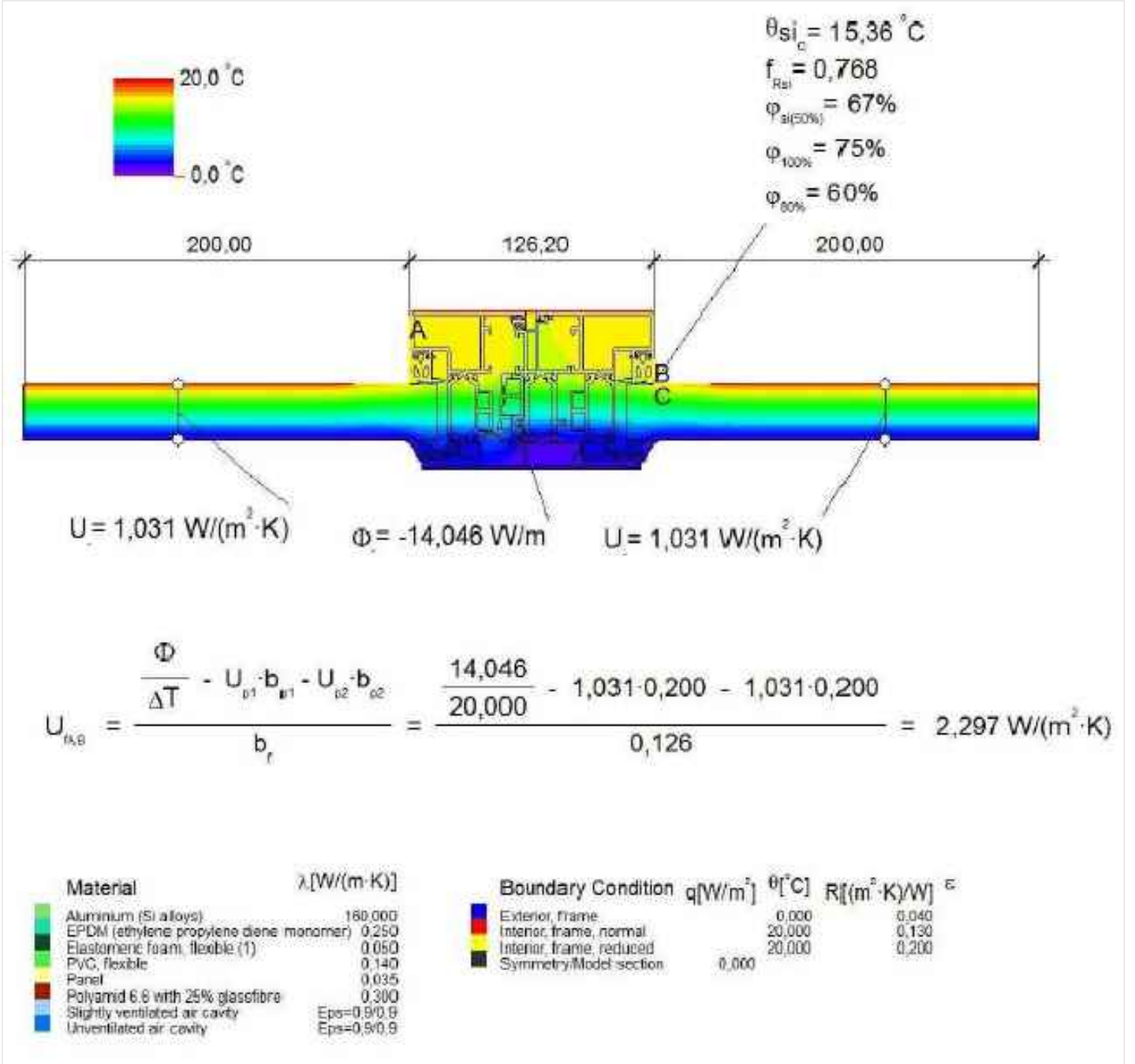




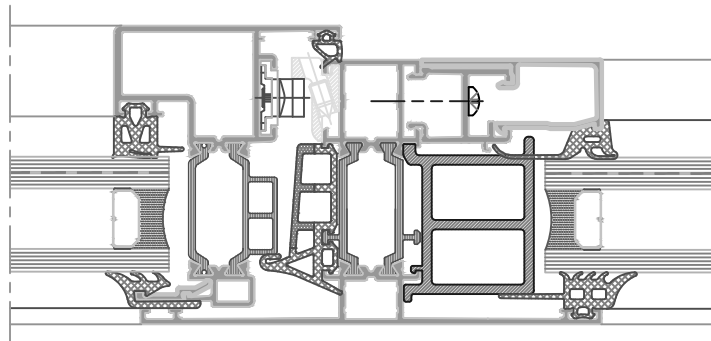
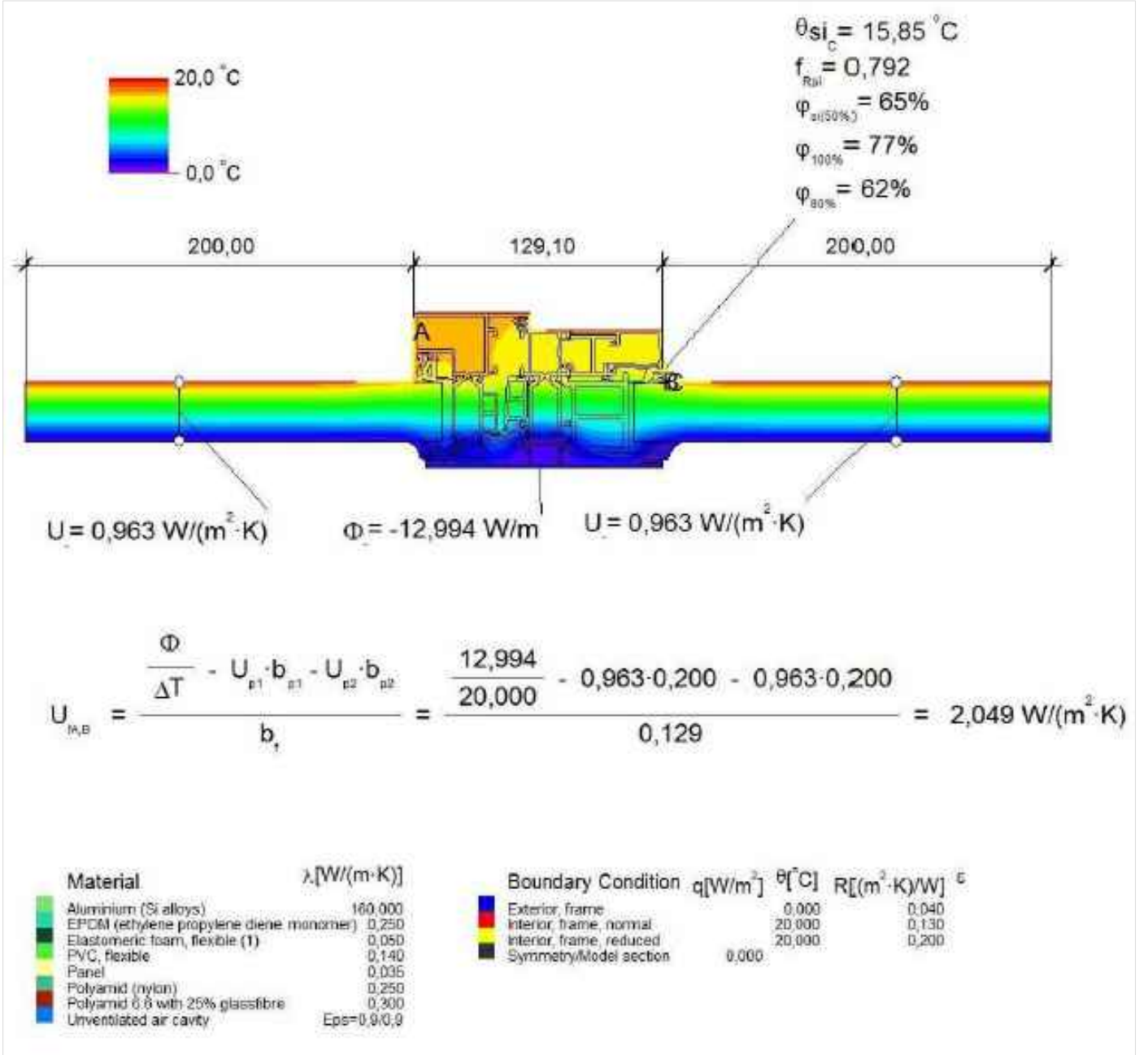
Scale 1:2
Ölçek 1:2




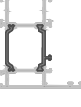
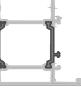
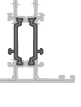
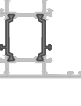


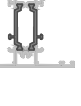
Scale 1:2
Ölçek 1:2

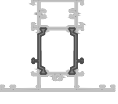

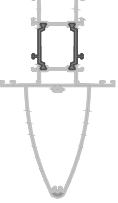

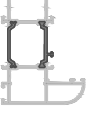

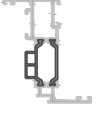


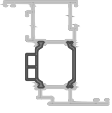
Scale 1:2
Ölçek 1:2

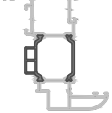



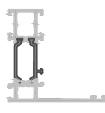





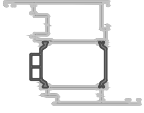
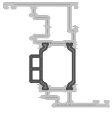
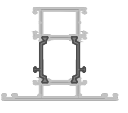




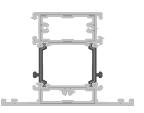
Scale 1:2
Ölçek 1:2


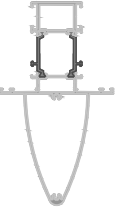
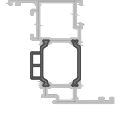
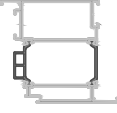
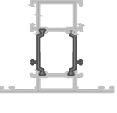
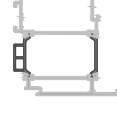
| DRAWING PROFİL RESMİ | CODE NUMARA | WEIGHT AĞIRLIK (kg/mt) | DESCRIPTION PROFİL TANIMLAMASI | STATIC VALUE Jx (cm ⁴) / Jy (cm ⁴) |
|---|----------------|---------------------------|--|---|
|  | WT70 P 1000 | 1,248 kg/mt | 26mm FRAME PROFILE 26mm Kasa Profili | 18,78 / 4,87 |
|  | WT70 P 1001 | 1,456 kg/mt | 39mm FRAME PROFILE 39mm Kasa Profili | 22,85 / 10,76 |
|  | WT70 P 1002 | 1,666 kg/mt | 52mm FRAME PROFILE 52mm Kasa Profili | 26,9 / 20,26 |
|  | WT70 P 1003 | 1,399 kg/mt | 26mm MULLION PROFILE 26mm Ortakayıt Profili | 21,44 / 8,55 |
|  | WT70 P 1004 | 1,608 kg/mt | 39mm MULLION PROFILE 39mm Ortakayıt Profili | 25,59 / 16,25 |
|  | WT70 P 1005 | 1,818 kg/mt | 52mm MULLION PROFILE 52mm Ortakayıt Profili | 29,73 / 27,94 |
|  | WT70 P 1006 | 1,615 kg/mt | 69mm Z FRAME PROFILE 69mm Z Kasa Profili | 28,00 / 18,73 |
|  | WT70 P 1007 | 1,514 kg/mt | 26mm MULLION PROFILE (with screw channel) 26mm Ortakayıt Profili vida kanallı | 23,59 / 8,6 |

| DRAWING PROFİL RESMİ | CODE NUMARA | WEIGHT AGIRLIK (kg/mt) | DESCRIPTION PROFİL TANIMLAMASI | STATIC VALUE Jx (cm ⁴) / Jy (cm ⁴) |
|---|----------------|---------------------------|--|---|
|  | WT70 P 1008 | 1,717 kg/mt | 39mm MULLION PROFILE (with screw channel) 39mm Ortakayıt Profili vida kanallı | 27,60 / 16,53 |
|  | WT70 P 1009 | 2,270 kg/mt | 39mm MULLION PROFILE (with reinforcement) 39mm Takviyeli Ortakayıt Profili | 87,36 / 17,95 |
|  | WT70 P 1010 | 2,516 kg/mt | 39mm MULLION PROFILE (with reinforcement) 39mm Takviyeli Ortakayıt Profili | 122,46 / 24,79 |
|  | WT70 P 1011 | 1,545 kg/mt | 26mm OVAL FRAME PROFILE 26mm Oval Kasa Profili | 42,05 / 14,70 |
|  | WT70 P 1012 | 1,754 kg/mt | 39mm OVAL FRAME PROFILE 39mm Oval Kasa Profili | 36,27 / 16,40 |
|  | WT70 P 1013 | 1,507 kg/mt | 34mm OVAL FRAME PROFILE 34mm Oval Kasa Profili | 27,36 / 10,43 |
|  | WT70 P 1014 | 1,382 kg/mt | 43mm SASH PROFILE 43mm Kanat Profili | 26,28 / 6,69 |


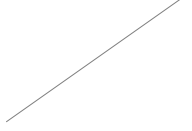

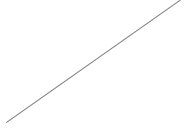

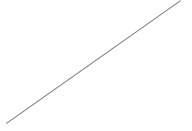

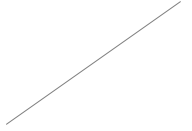

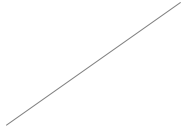

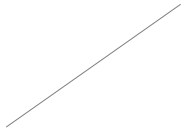

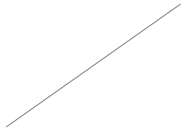

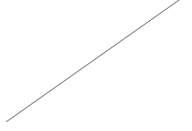
| DRAWING PROFİL RESMİ | CODE NUMARA | WEIGHT AĞIRLIK (kg/mt) | DESCRIPTION PROFİL TANIMLAMASI | STATIC VALUE Jx (cm ⁴) / Jy (cm ⁴) |
|---|----------------|---------------------------|--|---|
|  | WT70 P 1015 | 1,600 kg/mt | 56mm SASH PROFILE 56mm Kanat Profili | 31,79 / 13,57 |
|  | WT70 P 1016 | 2,018 kg/mt | 82mm SASH PROFILE 82mm Kanat Profili | 42,07 / 39,71 |
|  | WT70 P 1017 | 1,638 kg/mt | 56mm SASH PROFILE with PERIMETRIC CHANNEL 56mm Pvc kanallı Kanat Profili | 31,91 / 12,44 |
|  | WT70 P 1018 | 1,954 kg/mt | 67mm SASH PROFILE with PERIMETRIC CHANNEL 67mm Pvc kanallı Kanat Profili | 45,41 / 26,81 |
|  | WT70 P 1019 | 2,027 kg/mt | 80mm SASH PROFILE with PERIMETRIC CHANNEL 80mm Pvc kanallı Kanat Profili | 41,52 / 35,17 |
|  | WT70 P 1020 | 1,415 kg/mt | 43mm OVAL SASH PROFILE 43mm Oval Kanat Profili | 25,80 / 8,13 |
|  | WT70 P 1021 | 1,555 kg/mt | 43mm OVAL SASH PROFILE 43mm Oval Kanat Profili | 35,28 / 8,75 |
|  | WT70 P 1022 | 1,641 kg/mt | 56mm OVAL SASH PROFILE 56mm Oval Kanat Profili | 31,43 / 15,71 |


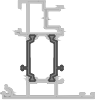




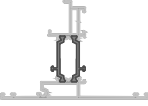

| DRAWING PROFİL RESMİ | CODE NUMARA | WEIGHT AGIRLIK (kg/mt) | DESCRIPTION PROFİL TANIMLAMASI | STATIC VALUE Jx (cm ⁴) / Jy (cm ⁴) |
|---|----------------|---------------------------|--|---|
|  | WT70 P 1023 | 1,791 kg/mt | 56mm OVAL SASH PROFILE 56mm Oval Kanat Profili | 42,30 / 17,07 |
|  | WT70 P 1024 | 2,298 kg/mt | 126mm MULLION PROFILE for INSIDE of SASH 126mm Kanat İçi Ortakayıt Prof | 48,59 / 68,03 |
|  | WT70 P 1025 | 2,235 kg/mt | 126mm MULLION PROFILE 126mm Ortakayıt Profili | 37,95 / 65,70 |
|  | WT70 P 1026 | 3,038 kg/mt | 165mm MULLION PROFILE 165mm Ortakayıt Profili | 52,78 / 172,89 |
|  | WT70 P 1027 | 1,351 kg/mt | 26mm FRAME PROFILE for HIDDEN SASH Gizli kanat için Kasa Profili | 21,09 / 13,55 |
|  | WT70 P 1028 | 1,607 kg/mt | 26mm MULLION PROFILE for HIDDEN SASH Gizli kanat için Orta Kayıt Profili | 24,90 / 30,08 |
|  | WT70 P 1029 | 1,468 kg/mt | 60mm HIDDEN SASH PROFILE 60mm Gizli Kanat Profili | 19,62 / 9,14 |
|  | WT70 P 1030 | 1,345 kg/mt | TWO WINGS ADAPTEUR PROFILE Çift Kanat Adaptör Profili | 20,46 / 6,69 |

| DRAWING PROFİL RESMİ | CODE NUMARA | WEIGHT AĞIRLIK (kg/mt) | DESCRIPTION PROFİL TANIMLAMASI | STATIC VALUE Jx (cm ⁴) / Jy (cm ⁴) |
|---|----------------|---------------------------|--|---|
|  | WT70 P 1031 | 2,510 kg/mt | (2mm) 80mm PERIMETRIC SASH PROFILE (2mm) 80mm Pvc Kanallı Kanat Profili | 52,47 / 41,09 |
|  | WT70 P 1032 | 1,938 kg/mt | (2mm) 55mm PERIMETRIC SASH PROFILE (2mm) 55mm Pvc Kanallı Kanat Profili | 38,16 / 13,61 |
|  | WT70 P 1033 | 1,904 kg/mt | (2mm) 39mm MULLION PROFILE (2mm) 39mm Ortakayıt Profili | 31,72 / 18,37 |
|  | WT70 P 1034 | 1,633 kg/mt | (2mm) 39mm FRAME PROFILE (2mm) 39mm Kasa Profili | 26,85 / 11,38 |
|  | WT70 P 1035 | 1,517 kg/mt | (2mm) 26mm MULLION PROFILE (2mm) 26mm Ortakayıt Profili | 24,22 / 8,67 |
|  | WT70 P 1036 | 1,909 kg/mt | (2mm) 52mm FRAME PROFILE (2mm) 52mm Kasa Profili | 32,40 / 21,87 |
|  | WT70 P 1037 | 2,060 kg/mt | (2mm) 52mm MULLION PROFILE (2mm) 52mm Ortakayıt Profili | 35,40 / 29,47 |
|  | WT70 P 1097 | 2,392 kg/mt | EXTRA THICK 52mm FRAME PROFILE (with screw channel) İlave Kalın 52mm Kasa Profili (vida kanallı) | 41,13 / 31,23 |

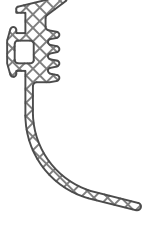
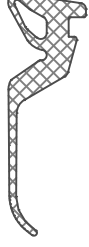
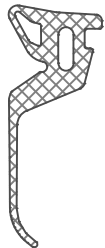
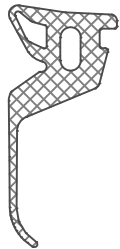

| DRAWING PROFİL RESMİ | CODE NUMARA | WEIGHT AGIRLIK (kg/mt) | DESCRIPTION PROFİL TANIMLAMASI | STATIC VALUE Jx (cm ⁴) / Jy (cm ⁴) |
|---|----------------|---------------------------|--|---|
|  | WT70 P 1038 | 2,346 kg/mt | (2mm) 39mm MULLION PROFILE (with reinforcement) (2mm) 39mm Takviyeli Ortakayıt Profili | 91,44 / 18,18 |
|  | WT70 P 1039 | 2,618 kg/mt | (2mm) 39mm MULLION PROFILE (with reinforcement) (2mm) 39mm Takviyeli Ortakayıt Profili | 132,40 / 25,17 |
|  | WT70 P 1040 | 1,766 kg/mt | (2mm) 56mm SASH PROFILE (2mm) 56mm Kanat Profili | 35,99 / 14,18 |
|  | WT70 P 1041 | 2,318 kg/mt | (2mm) 82mm SASH PROFILE (2mm) 82mm Kanat Profili | 50,18 / 42,84 |
|  | WT70 P 1042 | 1,785 kg/mt | (2mm) 39mm MULLION PROFILE (2mm) 39mm Ortakayıt Profili | 29,78 / 16,84 |
|  | WT70 P 1043 | 2,136 kg/mt | (2mm) 82mm SASH PROFILE (2mm) 82mm Kanat Profili | 45,36 / 40,54 |

| DRAWING PROFİL RESMİ | CODE NUMARA | WEIGHT AGIRLIK (kg/mt) | DESCRIPTION PROFİL TANIMLAMASI | STATIC VALUE Jx (cm ⁴) / Jy (cm ⁴) |
|---|----------------|---------------------------|---|---|
|  | WT70 P 1044 | 0,255 kg/mt | 7,2mm GLAZING BEAD PROFILE 7,2mm Cam Çıtası Profili |  |
|  | WT70 P 1047 | 0,287 kg/mt | 16,2mm GLAZING BEAD PROFILE 16,2mm Cam Çıtası Profili |  |
|  | WT70 P 1049 | 0,314 kg/mt | 22,2mm GLAZING BEAD PROFILE 22,2mm Cam Çıtası Profili |  |
|  | WT70 P 1050 | 0,351 kg/mt | 24,9mm GLAZING BEAD PROFILE 24,9mm Cam Çıtası Profili |  |
|  | WT70 P 1052 | 0,373 kg/mt | 31,2mm GLAZING BEAD PROFILE 31,2mm Cam Çıtası Profili |  |
|  | WT70 P 1053 | 0,385 kg/mt | 34,2mm GLAZING BEAD PROFILE 34,2mm Cam Çıtası Profili |  |
|  | WT70 P 1054 | 0,398 kg/mt | 38,2mm GLAZING BEAD PROFILE 38,2mm Cam Çıtası Profili |  |
|  | WT70 P 1057 | 0,112 kg/mt | GLAZING BEAD PROFILE for HIDDEN SASH Gizli Kanat Cam Çıtası Profili |  |

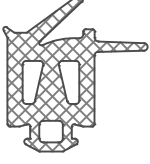
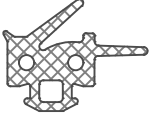
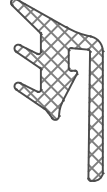
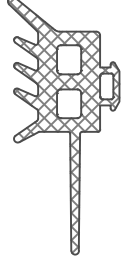
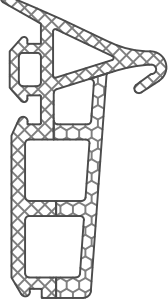

| DRAWING PROFİL RESMİ | CODE NUMARA | WEIGHT AĞIRLIK (kg/mt) | DESCRIPTION PROFİL TANIMLAMASI | STATIC VALUE Jx (cm ⁴) / Jy (cm ⁴) |
|---|----------------|---------------------------|---|---|
|  | WT70 P 1058 | 0,404 kg/mt | BASEMENT PROFILE for GLAZING BEAD Cam Çıtası İçin Altlık Profili |  |
|  | WT70 P 1060 | 0,491 kg/mt | 30,3mm GLAZING BEAD PROFILE 30,3mm Cam Çıtası Profili |  |
|  | WT70 P 1061 | 0,470 kg/mt | 24,3mm GLAZING BEAD PROFILE 24,3mm Cam Çıtası Profili |  |
|  | WT70 P 1062 | 0,418 kg/mt | 18,3mm GLAZING BEAD PROFILE 18,3mm Cam Çıtası Profili |  |
|  | WT70 P 1063 | 0,404 kg/mt | 12,3mm GLAZING BEAD PROFILE 12,3mm Cam Çıtası Profili |  |
|  | WT70 P 1064 | 0,363 kg/mt | 6,3mm GLAZING BEAD PROFILE 6,3mm Cam Çıtası Profili |  |
|  | WT70 P 1065 | 0,123 kg/mt | ROD PROFILE Tij Profili |  |
|  | WT70 P 1068 | 0,110 kg/mt | ADAPTEUR PROFILE for HIDDEN SASH Gizli kanat için Adaptör Profili |  |

| DRAWING PROFİL RESMİ | CODE NUMARA | WEIGHT AGIRLIK (kg/mt) | DESCRIPTION PROFİL TANIMLAMASI | STATIC VALUE Jx (cm ⁴) / Jy (cm ⁴) |
|---|----------------|---------------------------|---|---|
|  | WT70 P 1071 | 0,210 kg/mt | GLAZING BEAD PROFILE for EXTERIOR FRAME Kasa Dışı için Cam Çıta Profili | |
|  | WT70 P 1092 | 1,610 kg/mt | ADAPTEUR PROFILE with CREMONE CHANEL İspanyolet Kanallı Adaptör Profil | 27,60 / 10,33 |
|  | WT70 P 1093 | 2,122 kg/mt | 90° CORNER CONNECTION PROFILE 90° Köşe dönüş Profili | 35,83 / 47,78 |
|  | WT70 P 1094 | 1,484 kg/mt | 135° CORNER CONNECTION PROFILE 135° Köşe dönüş Profili | 20,05 / 11,82 |
|  | WT70 P 1096 | 0,916 kg/mt | ELLIPSE COVER EXTRA REINFORCEMENT PROFILE İlave takviye elips kapak profil | 6,12 / 9,74 |
|  | WT70 P 1098 | 1,783 kg/mt | 52mm FRAME PROFILE for HIDDEN SASH Gizli kanat için Kasa Profili | 24,24 / 25,68 |
|  | WT70 P 1099 | 1,620 kg/mt | TWO WINGS ADAPTEUR PROFILE for HIDDEN SASH Gizli kanat için Çift Kanat Adaptör Profili | 29,48 / 34,43 |
|  | WT70 P 1100 | 0,279 kg/mt | 13,2mm GLAZING BEAD PROFILE 13,2mm Cam Çıtası Profili | |


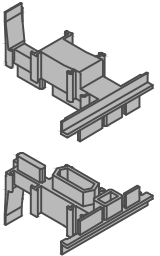
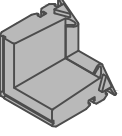
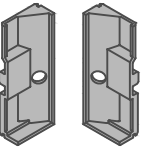
| DRAWING PROFİL RESMİ | CODE NUMARA | WEIGHT AGIRLIK (kg/mt) | DESCRIPTION PROFİL TANIMLAMASI | STATIC VALUE Jx (cm ⁴) / Jy (cm ⁴) |
|---|----------------|---------------------------|---|---|
|  | WT70 P 1101 | 1,532 kg/mt | 45mm FRAME PROFILE 45mm Kasa Profili | 24,26 / 14,42 |
|  | WT70 P 1102 | 2,001 kg/mt | 26mm MULLION PROFILE (with reinforcement) 26mm Takviyeli Ortakayıt Profili | 59,88 / 12,35 |
|  | WT70 P 1103 | 1,600 kg/mt | 56mm SASH PROFILE with PERIMETRIC CHANNEL 56mm Pvc Kanallı Kanat Profili | 31,79 / 13,57 |
|  | WT70 P 1105 | 1,420 kg/mt | 26mm ASYMMETRIC MULLION PROFILE for HIDDEN SASH Gizli kanat için Asimetrik Orta Kayıt Profili | 23,29 / 18,41 |

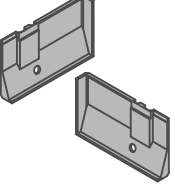
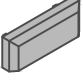
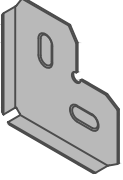
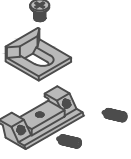
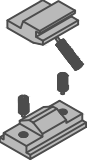
| DRAWING PROFİL RESMİ | CODE NUMARA | MATERIAL MALZEME | DESCRIPTION MALZEME TANIMI | PACKAGING AMBALAJ |
|---|----------------|---------------------|---|----------------------|
|  | WT 70 G 3000 | Epdm | EXTERIOR GLAZING GASKET WITH FLAP (h:4,6mm) Perdeli dış cam contası (boşluk : 4,6mm) | 150mt |
|  | WT 70 G 3001 | Epdm | INTERIOR GLAZING GASKET WITH FLAP (h:6-7mm) Perdeli iç cam contası (boşluk : 6-7mm) | 125mt |
|  | WT 70 G 3002 | Epdm | INTERIOR GLAZING GASKET WITH FLAP (h:8-9mm) Perdeli iç cam contası (boşluk : 8-9mm) | 100mt |
|  | WT 70 G 3003 | Epdm | INTERIOR GLAZING GASKET WITH FLAP (h:10mm) Perdeli iç cam contası (boşluk : 10mm) | 90mt |
|  | WT 70 G 3004 | Epdm | INTERIOR GLAZING GASKET (h:6-7mm) İç cam contası (boşluk : 6-7mm) | 185mt |

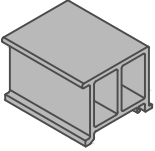
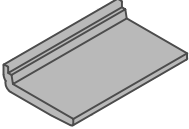
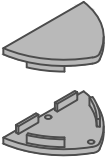
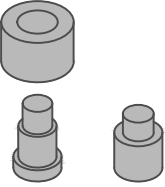
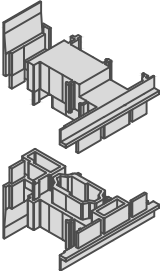
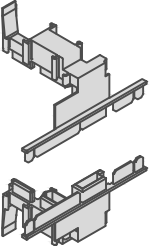
| DRAWING PROFİL RESMİ | CODE NUMARA | MATERIAL MALZEME | DESCRIPTION MALZEME TANIMI | PACKAGING AMBALAJ |
|---|----------------|---------------------|--|----------------------|
|  | WT 70 G 3005 | Epdm | INTERIOR GLAZING GASKET (h:8-9mm) İç cam contası (boşluk : 8-9mm) | 165mt |
|  | WT 70 G 3006 | Epdm | INTERIOR GLAZING GASKET (h:10mm) İç cam contası (boşluk : 10mm) | 113mt |
|  | WT 70 G 3008 | Epdm | EXTERIOR GLAZING GASKET (h:4,6mm) Dış cam contası (boşluk : 4,6mm) | 250mt |
|  | WT 70 G 3009 | Epdm | INTERIOR GLAZING GASKET for HIDDEN SASH (h:9mm) Gizli kanat iç cam contası (boşluk : 9mm) | 100mt |
|  | WT 70 G 3010 | Epdm | INTERIOR GLAZING GASKET for HIDDEN SASH (h:3mm) Gizli kanat iç cam contası (boşluk : 3mm) | 200mt |
|  | WT 70 G 3011 | Epdm | INTERIOR GLAZING GASKET for HIDDEN SASH (h:11mm) Gizli kanat iç cam contası (boşluk : 11mm) | 93mt |
|  | WT 70 G 3012 | Epdm | INTERIOR GLAZING GASKET for HIDDEN SASH (h:5mm) Gizli kanat iç cam contası (boşluk : 5mm) | 100mt |

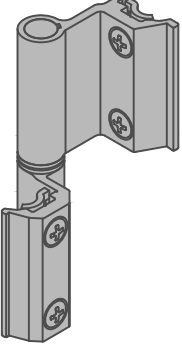
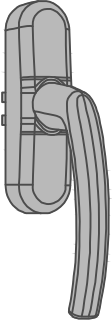
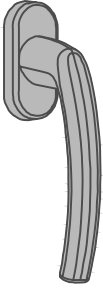
| DRAWING PROFİL RESMİ | CODE NUMARA | MATERIAL MALZEME | DESCRIPTION MALZEME TANIMI | PACKAGING AMBALAJ |
|---|----------------|---------------------|---|----------------------|
|  | WT 70 G 3013 | Epdm | INTERIOR GLAZING GASKET for HIDDEN SASH (h:13mm) Gizli kanat iç cam contası (boşluk : 13mm) | 77mt |
|  | WT 70 G 3014 | Epdm | INTERIOR GLAZING GASKET for HIDDEN SASH (h:7mm) Gizli kanat iç cam contası (boşluk : 7mm) | 120mt |
|  | WT 70 G 3015 | Epdm | EXTERIOR GLAZING GASKET for HIDDEN SASH (h:5,1mm) Gizli kanat dış cam contası (boşluk : 5,1mm) | 110mt |
|  | WT 70 G 3016 | Epdm | INTERIOR GLAZING GASKET for FIXED FRAME (h:9,6mm) Sabit kısım iç cam contası (boşluk : 9,6mm) | 85mt |
|  | WT 70 G 3017 | Epdm | CENTRAL GASKET Merkezi tozluk contası | 35mt |
|  | WT 70 G 3018 | Epdm | EXTERIOR OVERLAP GASKET Dış bini contası | 330mt |

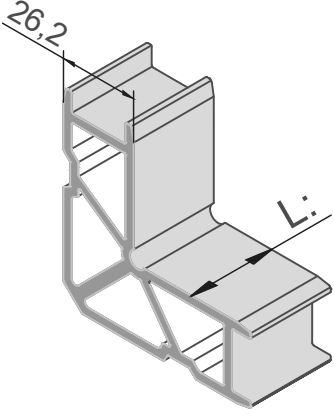
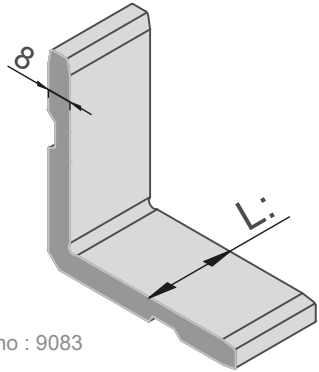
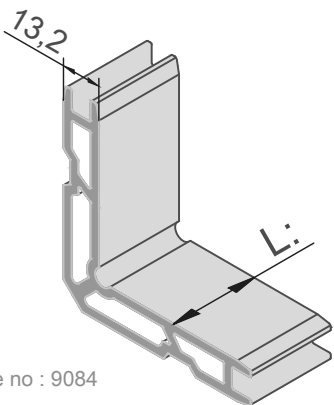
| DRAWING PROFİL RESMİ | CODE NUMARA | MATERIAL MALZEME | DESCRIPTION MALZEME TANIMI | PACKAGING AMBALAJ |
|--|----------------|---------------------|--|----------------------|
|  | WT 70 G 3019 | Epdm | EXTERIOR OVERLAP GASKET Dış bini contası | 340mt |
|  | WT 70 G 3020 | Epdm | INTERIOR GLAZING GASKET (h:4mm) İç cam contası (boşluk : 4mm) | 185mt |
|  | WT 70 G 3021 | Epdm | INTERIOR GLAZING GASKET (h:4mm) İç cam contası (boşluk : 4mm) | 185mt |

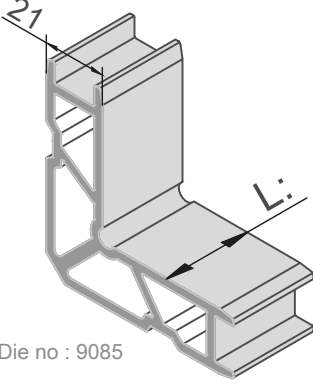
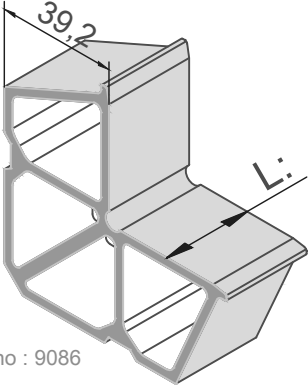
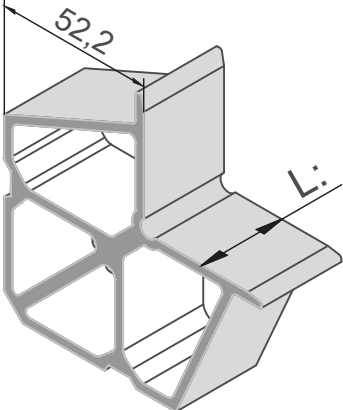
| DRAWING PROFİL RESMİ | CODE NUMARA | MATERIAL MALZEME | DESCRIPTION MALZEME TANIMI | PACKAGING AMBALAJ |
|---|----------------|--------------------------------|---|------------------------|
|  | WT 70 A 2000 | Alu. / grey gri / alüminyum | SASH and FRAME CORNER JOINT Kanat ve Kasa köşe birleşim onbaşı | 500 pieces 500 adet |
|  | WT 70 A 2001 | Pvc - Black Siyah - plastik | CORNER CLEAT for WT70 P 1013,1020,1022 Köşe onbaşı (WT70 P 1013,1020,1022) | 100 pieces 100 adet |
|  | WT 70 A 2002 | Alu. / grey gri / alüminyum | SASH CORNER JOINT Kanat köşe birleşim onbaşı | 500 pieces 500 adet |
|  | WT 70 A 2003 | Alu. / grey gri / alüminyum | SASH CORNER JOINT Kanat köşe birleşim onbaşı | 500 pieces 500 adet |
|  | WT 70 A 2045 | Pvc - Black Siyah - plastik | STANDART SASH TWO WINDOW ADAPTEUR PLUG (use with wt70 p 1030) Çift kanatlı pencere adaptör kapak (wt70 p 1030 ile kullanılır) | 50 pieces 50 adet |
|  | WT 70 A 2048 | Epdm - Black Siyah - kauçuk | CENTRAL GASKET VULCANIZED CORNER Merkezi tozluk contası köşe dönüş parçası | 50 pieces 50 adet |
|  | WT 70 A 2049 | Pvc - Black Siyah - plastik | FIXED FRAME T-JOINT COUPLE Sabit doğrama kasası T bağlantı parçası | 10 pieces 10 adet |

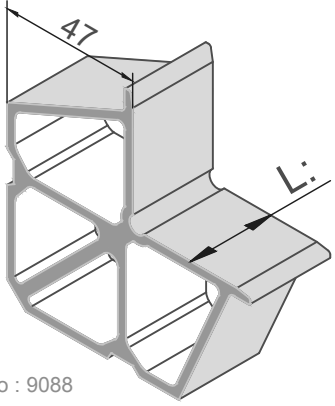
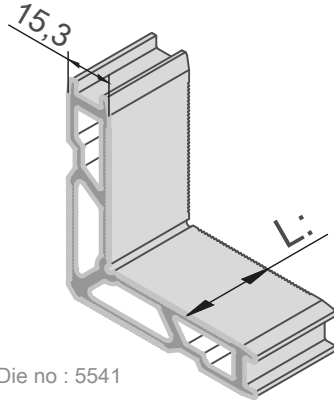
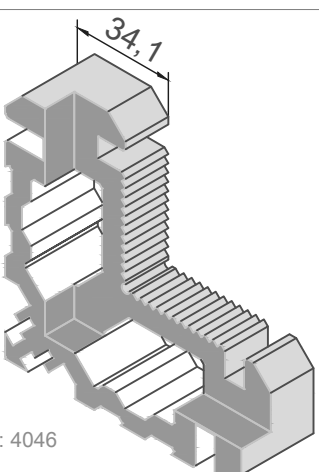
| DRAWING PROFİL RESMİ | CODE NUMARA | MATERIAL MALZEME | DESCRIPTION MALZEME TANIMI | PACKAGING AMBALAJ |
|---|----------------|--------------------------------|---|------------------------|
|  | WT 70 A 2058 | Pvc - Black Siyah - plastik | HIDDEN SASH FRAME T-JOINT COUPLE Gizli kanat kasası T bağlantı parçası | 10 pieces 10 adet |
|  | WT 70 A 2059 | Pvc - Black Siyah - plastik | WATER DRAINAGE CAP Su tahliye kapığı | 500 pieces 500 adet |
|  | WT 70 A 2060 | Inox / grey gri / paslanmaz | HIDDEN SASH FRAME CORNER JOINT Gizli kanat kasası köşe birleşim onbaşı | 250 pieces 250 adet |
|  | WT 70 A 2061 | Alu. / grey gri / alüminyum | ADJUSTABLE LOCKING DEVICE Ayarlanabilir kilit karşılığı | 50 pieces 50 adet |
|  | WT 70 A 2062 | Pvc - Black Siyah - plastik | SLOPED SYNTHETIC BLOCK INSIDE OPENING WINDOW İçe açılır kanat için kaldırma takozu | 20 pieces 20 adet |
| | | | | |
| | | | | |

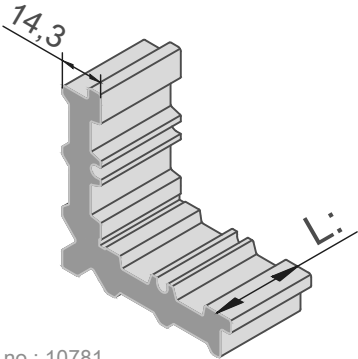
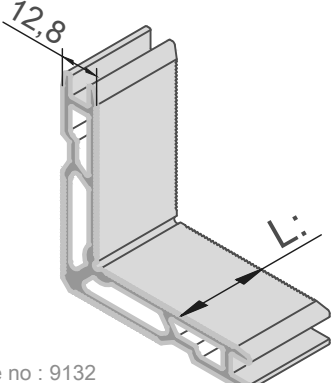
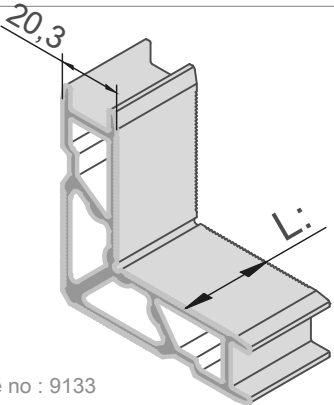
| DRAWING PROFİL RESMİ | CODE NUMARA | MATERIAL MALZEME | DESCRIPTION MALZEME TANIMI | PACKAGING AMBALAJ |
|---|----------------|--------------------------------|--|------------------------|
|  | WT 70 A 2065 | Pvc - Black Siyah - plastik | GLASS CARRIER BLOCK for HIDDEN SASH Açılır gizli kanat için cam taşıyıcı takoz | 50 pieces 50 adet |
|  Die no : 11683 | WT 70 A 2073 | Alu. / grey gri / alüminyum | GLASS SUPPORT for HIDDEN SASH Gizli Kanat için Cam Taşıyıcı | 50 pieces 50 adet |
|  | WT 70 A 2074 | Pvc - Black Siyah - plastik | CAP for FINISHING HEADER Profil bitimi için kapak | 100 pieces 100 adet |
|  | WT 70 A 2075 | Steel / yellow sarı / çelik | LOCKING DEVICE PIECES İspanyolet tij pimleri | 100 pieces 100 adet |
|  | WT 70 A 2079 | Pvc - Black Siyah - plastik | STANDART SASH TWO WINDOW ADAPTEUR PLUG (use with wt70 p 1092) Çift kanatlı pencere adaptör kapığı (wt70 p 1092 ile kullanılır) | 50 pieces 50 adet |
|  | WT 70 A 2081 | Pvc - Black Siyah - plastik | HIDDEN SASH TWO WINDOWS ADAPTEUR PLUG (use with wt70 p 1099) Çift kanatlı pencere adaptör kapığı (wt70 p 1099 ile kullanılır) | 50 pieces 50 adet |

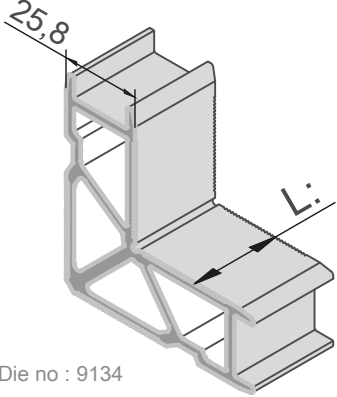
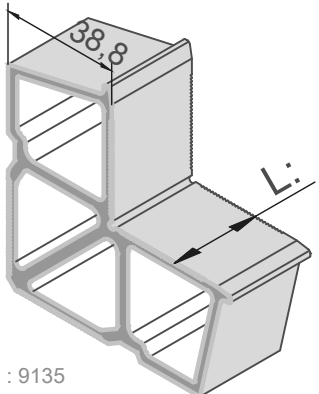
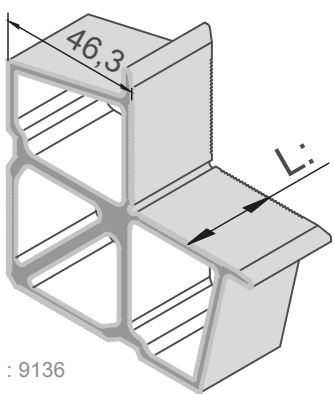
| DRAWING PROFİL RESMİ | CODE NUMARA | MATERIAL MALZEME | DESCRIPTION MALZEME TANIMI | PACKAGING AMBALAJ |
|---|----------------|--------------------------------|---|----------------------|
|  | WT 70 A 2066 | Alu. / grey gri / alüminyum | WINDOW HINGE white painted,opaque anodising PENCERE MENTEŞESİ beyaz boyalı+ mat eloxal | 20 pieces 20 adet |
| | WT 70 A 2067 | | WINDOW HINGE bright anodising PENCERE MENTEŞESİ parlak eloxal | |
| | WT 70 A 2068 | | WINDOW HINGE black anodising PENCERE MENTEŞESİ siyah eloxal | |
| | WT 70 A 2069 | | WINDOW HINGE special colors PENCERE MENTEŞESİ özel renkler | |
|  | WT 70 A 2070 | Alu. / grey gri / alüminyum | AXIAL HANDLE (white painted) EKSENEL KOL (beyaz boyalı) | 5 pieces 5 adet |
| | WT 70 A 2071 | | AXIAL HANDLE (anodising) EKSENEL KOL (eloxal) | |
| | WT 70 A 2072 | | AXIAL HANDLE (special colors) EKSENEL KOL (özel renkler) | |
|  | WT 70 A 2076 | Alu. / grey gri / alüminyum | CREMONE HANDLE Ral 9005 opaque İSPANYOLET KOL Ral 9005 mat | 5 pieces 5 adet |
| | WT 70 A 2077 | | CREMONE HANDLE Special color İSPANYOLET KOL Özel renk | |
| | WT 70 A 2078 | | CREMONE HANDLE Bright anodising İSPANYOLET KOL Parlak Eloksal | |

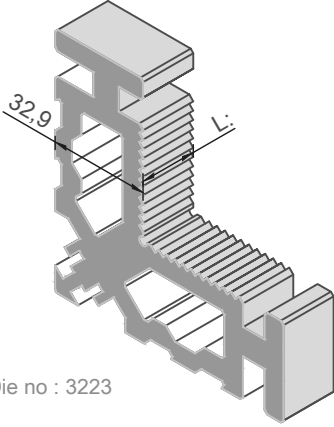
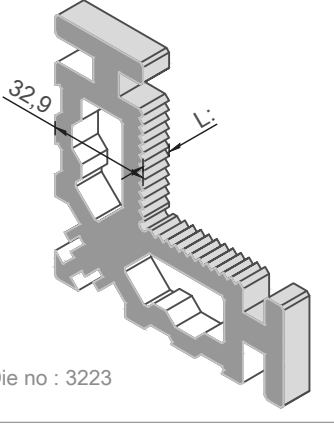
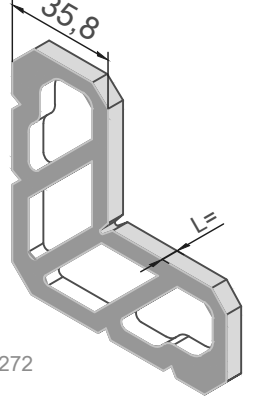
| DRAWING PROFIL RESMİ | CODE NUMARA | DESCRIPTION MALZEME TANIMI | PACKAGING AMBALAJ |
|--|----------------|---|----------------------|
|  <p>Die no : 9082</p> | WT 70 A 2006 | L:18,8mm (use with WT70 P 1001,1004,1006,1012) | 50 pieces 50 adet |
| | WT 70 A 2007 | L:9,8mm (use with WT70 P 1001,1004,1006,1012) | |
| | WT 70 A 2020 | L:27,8mm (use with WT70 P 1015,1022,1023) | |
| | WT 70 A 2026 | L:35,6mm (use with WT70 P 1018) | |
| | WT 70 A 2027 | L:5,2mm (use with WT70 P 1018) | |
|  <p>Die no : 9083</p> | WT 70 A 2019 | L:5,2mm (use with WT70 P 1014,1020,1021,1029) | 50 pieces 50 adet |
|  <p>Die no : 9084</p> | WT 70 A 2004 | L:18,8mm (use with WT70 P 1000,1003,1011, 1027,1028,1105) | 50 pieces 50 adet |
| | WT 70 A 2005 | L:9,8mm (use with WT70 P 1000,1003,1011, 1027,1028,1105) | |
| | WT 70 A 2018 | L:27,8mm (use with WT70 P 1014,1020,1021) | |

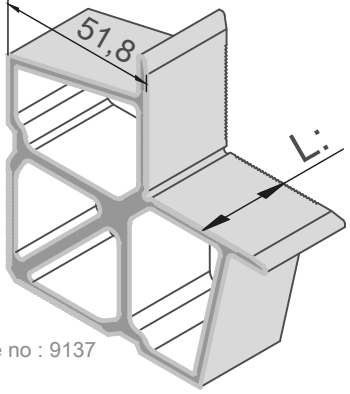
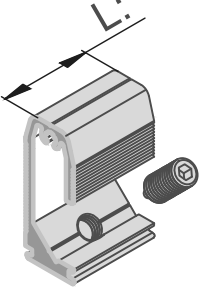
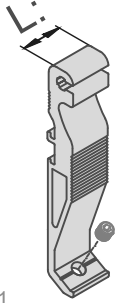
| DRAWING PROFİL RESMİ | CODE NUMARA | DESCRIPTION MALZEME TANIMI | PACKAGING AMBALAJ |
|--|----------------|--|----------------------|
|  <p>Die no : 9085</p> | WT 70 A 2016 | L:18,8mm (use with WT70 P 1013) | 50 pieces 50 adet |
| | WT 70 A 2017 | L:17,8mm (use with WT70 P 1013) | |
| | WT 70 A 2021 | L:5,2mm (use with WT70 P 1015,1022,1023) | |
|  <p>Die no : 9086</p> | WT 70 A 2008 | L:18,8mm (use with WT70 P 1002,1005,1098) | 50 pieces 50 adet |
| | WT 70 A 2009 | L:9,8mm (use with WT70 P 1002,1005,1098) | |
| | WT 70 A 2028 | L:27,8mm (use with WT70 P 1019) | |
| | WT 70 A 2029 | L:5,2mm (use with WT70 P 1019) | |
|  <p>Die no : 9087</p> | WT 70 A 2022 | L:27,8mm (use with WT70 P 1016,1043) | 50 pieces 50 adet |

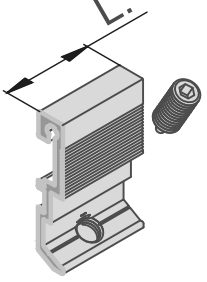
| DRAWING PROFIL RESMİ | CODE NUMARA | DESCRIPTION MALZEME TANIMI | PACKAGING AMBALAJ |
|--|----------------|--|----------------------|
|  <p>Die no : 9088</p> | WT 70 A 2023 | L:5,2mm (use with WT70 P 1016) | 50 pieces 50 adet |
|  <p>Die no : 5541</p> | WT 70 A 2024 | L:27,8mm (use with WT70 P 1017,WT70 P 1103) | 50 pieces 50 adet |
| | WT 70 A 2025 | L:5,2mm (use with WT70 P 1017) | |
|  <p>Die no : 4046</p> | WT 70 A 2034 | L:27,2mm Special type özel tip (use with WT70 P 1029) | 50 pieces 50 adet |

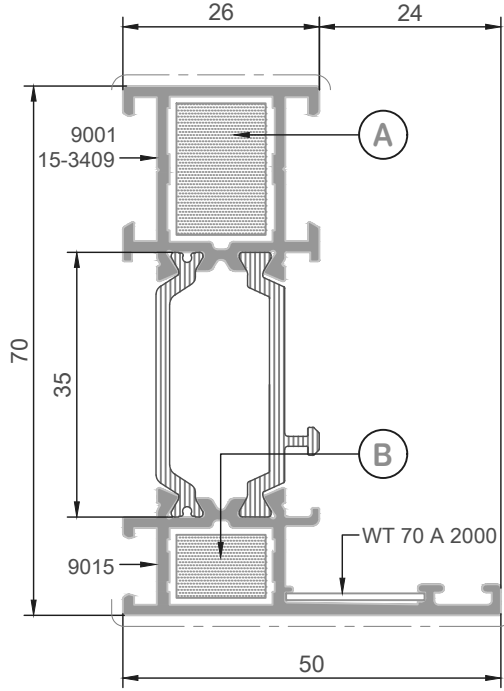
| DRAWING PROFİL RESMİ | CODE NUMARA | DESCRIPTION MALZEME TANIMI | PACKAGING AMBALAJ |
|--|----------------|------------------------------------|----------------------|
|  <p>Die no : 10781</p> | WT 70 A 2038 | L:26,6mm (use with WT70 P 1032) | 50 pieces 50 adet |
| | WT 70 A 2039 | L:3,4mm (use with WT70 P 1032) | |
|  <p>Die no : 9132</p> | WT 70 A 2046 | L:18,2mm (use with WT70 P 1035) | 50 pieces 50 adet |
| | WT 70 A 2047 | L:9,2mm (use with WT70 P 1035) | |
|  <p>Die no : 9133</p> | WT 70 A 2055 | L:5,2mm (use with WT70 P 1040) | 50 pieces 50 adet |

| DRAWING PROFIL RESMİ | CODE NUMARA | DESCRIPTION MALZEME TANIMI | PACKAGING AMBALAJ |
|--|----------------|---|----------------------|
|  <p>Die no : 9134</p> | WT 70 A 2040 | L:18,2mm (use with WT70 P 1033,1034,1042) | 50 pieces 50 adet |
| | WT 70 A 2041 | L:9,2mm (use with WT70 P 1033,1034,1042) | |
| | WT 70 A 2054 | L:27,2mm (use with WT70 P 1040) | |
|  <p>Die no : 9135</p> | WT 70 A 2036 | L:26,6mm (use with WT70 P 1031) | 50 pieces 50 adet |
| | WT 70 A 2037 | L:3,4mm (use with WT70 P 1031) | |
| | WT 70 A 2050 | L:18,2mm (use with WT70 P 1036,1037) | |
| | WT 70 A 2051 | L:9,2mm (use with WT70 P 1036,1037) | |
|  <p>Die no : 9136</p> | WT 70 A 2057 | L:5,2mm (use with WT70 P 1041,1043) | 50 pieces 50 adet |

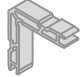
| DRAWING PROFIL RESMİ | CODE NUMARA | DESCRIPTION MALZEME TANIMI | PACKAGING AMBALAJ |
|--|----------------|--|----------------------|
|  <p>Die no : 3223</p> | WT 70 A 2082 | L:18,8mm (use with WT70 P 1101 ile kullanılır) | 50 pieces 50 adet |
|  <p>Die no : 3223</p> | WT 70 A 2083 | L:9,8mm (use with WT70 P 1101 ile kullanılır) | 50 pieces 50 adet |
|  <p>Die no : 3272</p> | WT 70 A 2084 | L:5,6mm (use with WT70 P 1103 ile kullanılır) | 50 pieces 50 adet |

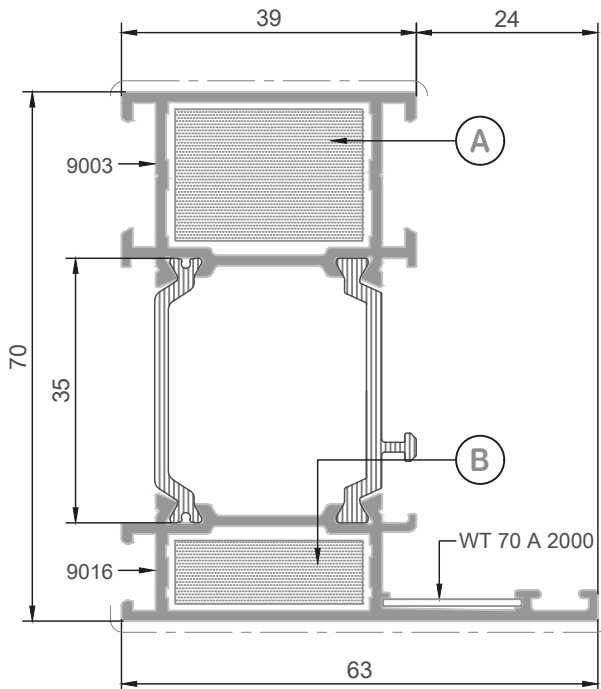
| DRAWING PROFİL RESMİ | CODE NUMARA | DESCRIPTION MALZEME TANIMI | PACKAGING AMBALAJ |
|---|----------------|--|----------------------|
|  <p>Die no : 9137</p> | WT 70 A 2056 | L:27,8mm (use with WT70 P 1041) | 50 pieces 50 adet |
|  <p>Die no : 9089</p> | WT 70 A 2010 | L:13,2mm (use with WT70 P 1003,1028,1035, WT70 P 1105) | 50 pieces 50 adet |
| | WT 70 A 2012 | L:26,2mm (use with WT70 P 1004,1009,1010,1038) | |
| | WT 70 A 2014 | L:39,2mm (use with WT70 P 1005) | |
| | WT 70 A 2030 | L:65,2mm (use with WT70 P 1024,1025) | |
| | WT 70 A 2032 | L:104,2mm (use with WT70 P 1026) | |
| | WT 70 A 2042 | L:25,8mm (use with WT70 P 1033,1039,1042) | |
| | WT 70 A 2052 | L:38,8mm (use with WT70 P 1037) | |
|  <p>Die no : 11811</p> | WT 70 A 2080 | L:13,2mm (use with WT70 P 1028, WT70 P 1105) | 50 pieces 50 adet |

| DRAWING PROFİL RESMİ | CODE NUMARA | DESCRIPTION MALZEME TANIMI | PACKAGING AMBALAJ |
|---|----------------|--|----------------------|
|  <p>Die no : 9090</p> | WT 70 A 2011 | L:13,2mm (use with WT70 P 1003,1035,1102) | 50 pieces 50 adet |
| | WT 70 A 2013 | L:26,2mm (use with WT70 P 1004,1009,1010,1039) | |
| | WT 70 A 2015 | L:39,2mm (use with WT70 P 1005) | |
| | WT 70 A 2031 | L:65,2mm (use with WT70 P 1024,1025) | |
| | WT 70 A 2033 | L:104,2mm (use with WT70 P 1026) | |
| | WT 70 A 2043 | L:25,8mm (use with WT70 P 1033,1038,1042) | |
| | WT 70 A 2053 | L:38,8mm (use with WT70 P 1037) | |

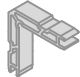


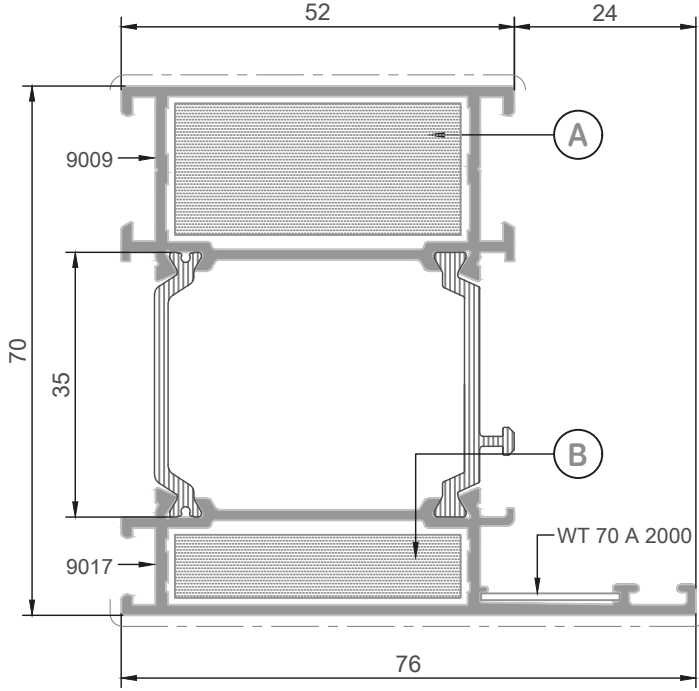
| STATICAL VALUE | | PROFILE CODE | Weight (kg/mt) |
|----------------|-----------|--------------|----------------|
| Jxx (cm4) | Jyy (cm4) | WT 70 P 1000 | 1,249 kg/mt |
| 18,78 | 4,87 | | |

| CORNER CLEATS | A | B |
|---|-------------------------------|------------------------------|
|  | WT 70 A 2004 Lenght:18,8mm | WT 70 A 2005 Lenght:9,8mm |




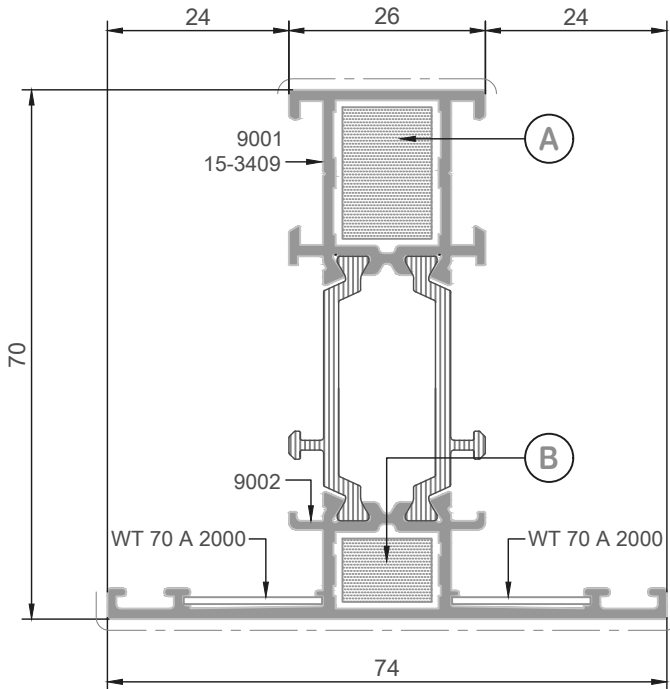
| STATICAL VALUE | | PROFILE CODE | Weight (kg/mt) |
|----------------|-----------|--------------|----------------|
| Jxx (cm4) | Jyy (cm4) | WT 70 P 1001 | 1,456 kg/mt |
| 22,85 | 10,76 | | |

| CORNER CLEATS | A | B |
|---|-------------------------------|------------------------------|
|  | WT 70 A 2006 Lenght:18,8mm | WT 70 A 2007 Lenght:9,8mm |

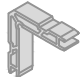



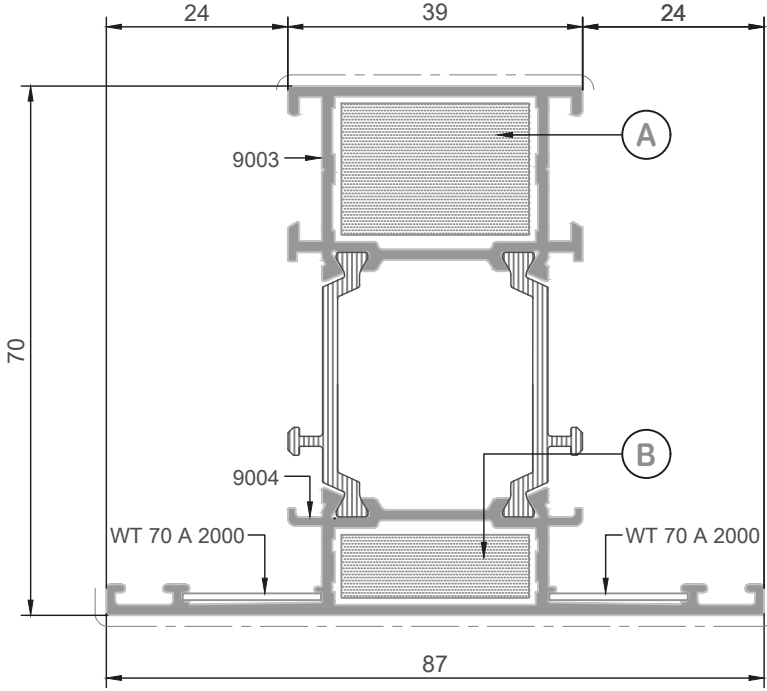
| STATICAL VALUE | | PROFILE CODE | Weight (kg/mt) |
|---------------------------|---------------------------|--------------|----------------|
| Jxx (cm ⁴) | Jyy (cm ⁴) | WT 70 P 1002 | 1,666 kg/mt |
| 26,90 | 20,26 | | |

| CORNER CLEATS | A | B |
|---|-------------------------------|------------------------------|
|  | WT 70 A 2008 Lenght:18,8mm | WT 70 A 2009 Lenght:9,8mm |



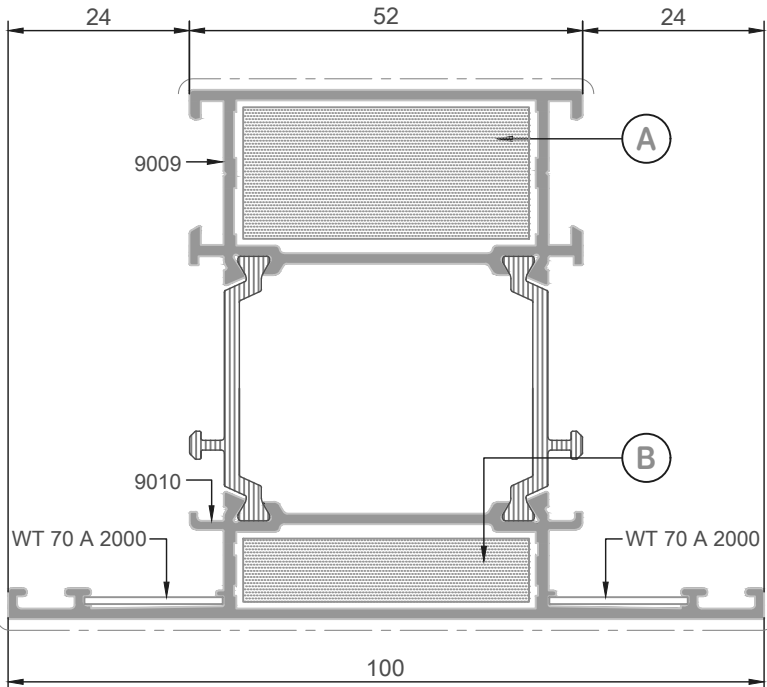
| STATICAL VALUE | | PROFILE CODE | Weight (kg/mt) |
|---------------------------|---------------------------|--------------|----------------|
| Jxx (cm ⁴) | Jyy (cm ⁴) | WT 70 P 1003 | 1,399 kg/mt |
| 21,44 | 8,55 | | |

| CORNER CLEATS | A | B |
|---|-------------------------------|-------------------------------|
|  | WT 70 A 2004 Lenght:18,8mm | WT 70 A 2005 Lenght:9,8mm |
|  | WT 70 A 2010 Lenght:13,2mm | WT 70 A 2011 Lenght:13,2mm |

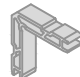



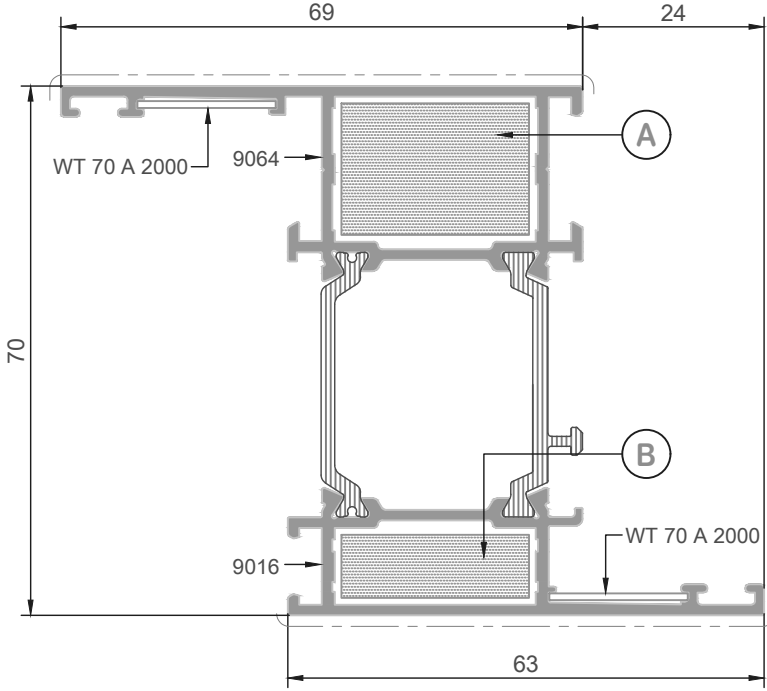
| STATICAL VALUE | | PROFILE CODE | Weight (kg/mt) |
|------------------------|------------------------|--------------|----------------|
| Jxx (cm ⁴) | Jyy (cm ⁴) | WT 70 P 1004 | 1,608 kg/mt |
| 25,59 | 16,25 | | |

| CORNER CLEATS | A | B |
|---|-------------------------------|-------------------------------|
|  | WT 70 A 2006 Lenght:18,8mm | WT 70 A 2007 Lenght:9,8mm |
|  | WT 70 A 2012 Lenght:26,2mm | WT 70 A 2013 Lenght:26,2mm |

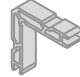


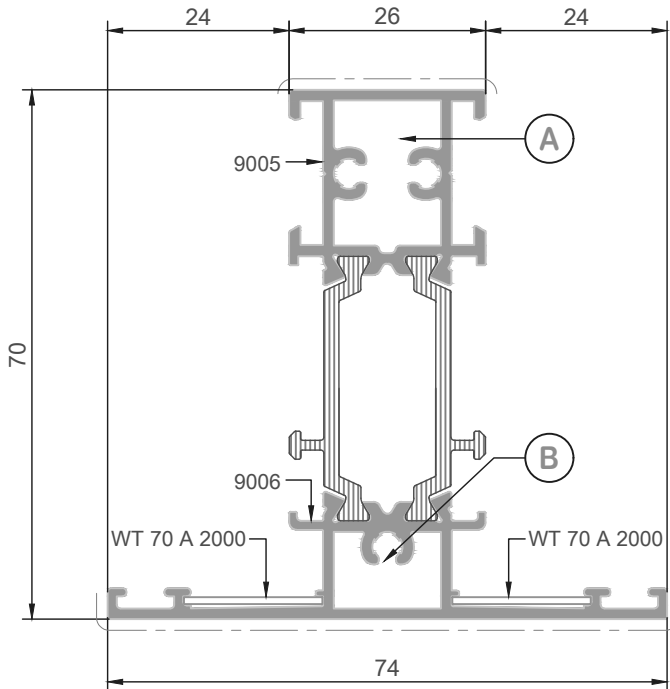
| STATICAL VALUE | | PROFILE CODE | Weight (kg/mt) |
|------------------------|------------------------|--------------|----------------|
| Jxx (cm ⁴) | Jyy (cm ⁴) | WT 70 P 1005 | 1,818 kg/mt |
| 29,73 | 27,94 | | |

| CORNER CLEATS | A | B |
|---|-------------------------------|-------------------------------|
|  | WT 70 A 2008 Lenght:18,8mm | WT 70 A 2009 Lenght:9,8mm |
|  | WT 70 A 2014 Lenght:39,2mm | WT 70 A 2015 Lenght:39,2mm |




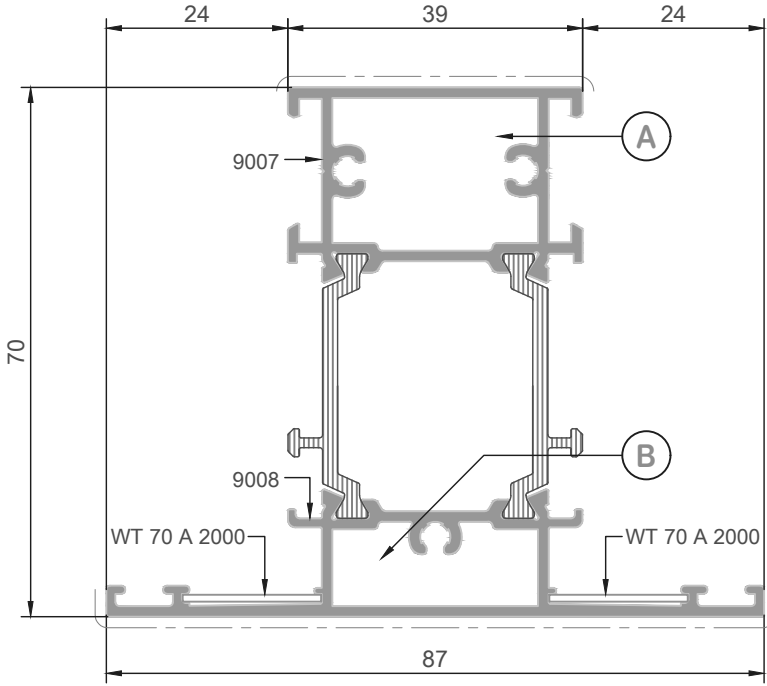
| STATICAL VALUE | | PROFILE CODE | Weight (kg/mt) |
|------------------------|------------------------|--------------|----------------|
| Jxx (cm ⁴) | Jyy (cm ⁴) | WT 70 P 1006 | 1,615 kg/mt |
| 28,00 | 18,73 | | |

| CORNER CLEATS | A | B |
|---|-------------------------------|------------------------------|
|  | WT 70 A 2006 Lenght:18,8mm | WT 70 A 2007 Lenght:9,8mm |




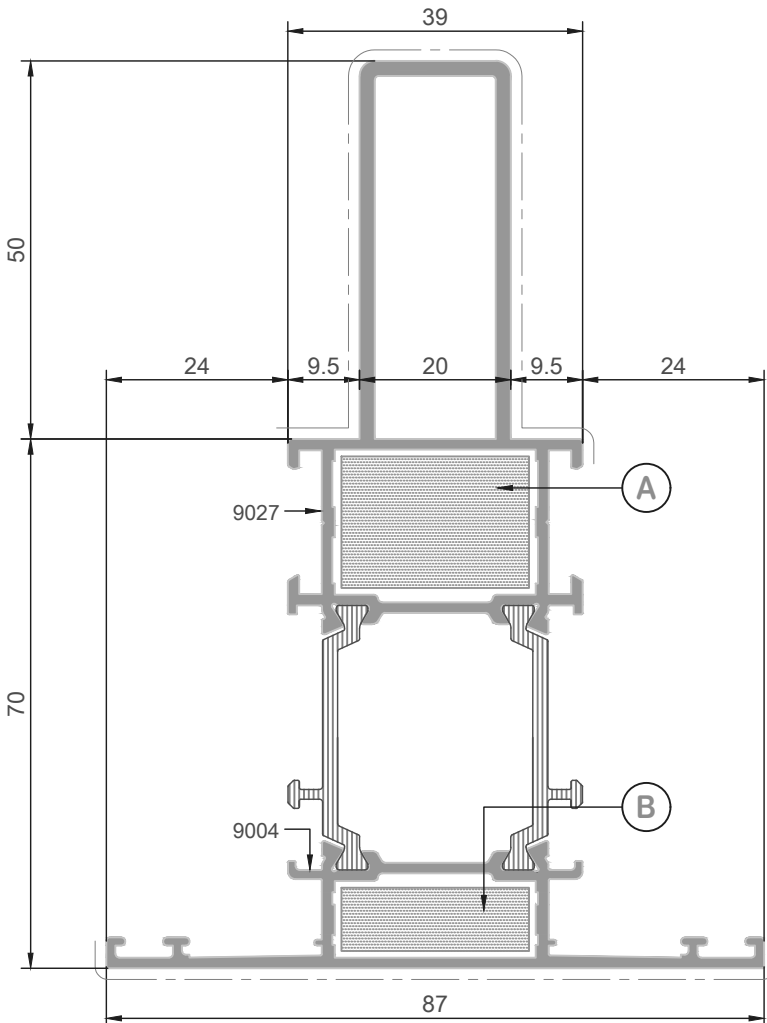
| STATICAL VALUE | | PROFILE CODE | Weight (kg/mt) |
|------------------------|------------------------|--------------|----------------|
| Jxx (cm ⁴) | Jyy (cm ⁴) | WT 70 P 1007 | 1,514 kg/mt |
| 23,59 | 8,60 | | |

| T JOINT | A | B |
|---|-----------------------|-----------------------|
|  | 2x3,9mm INOX SCREW | 1x3,9mm INOX SCREW |




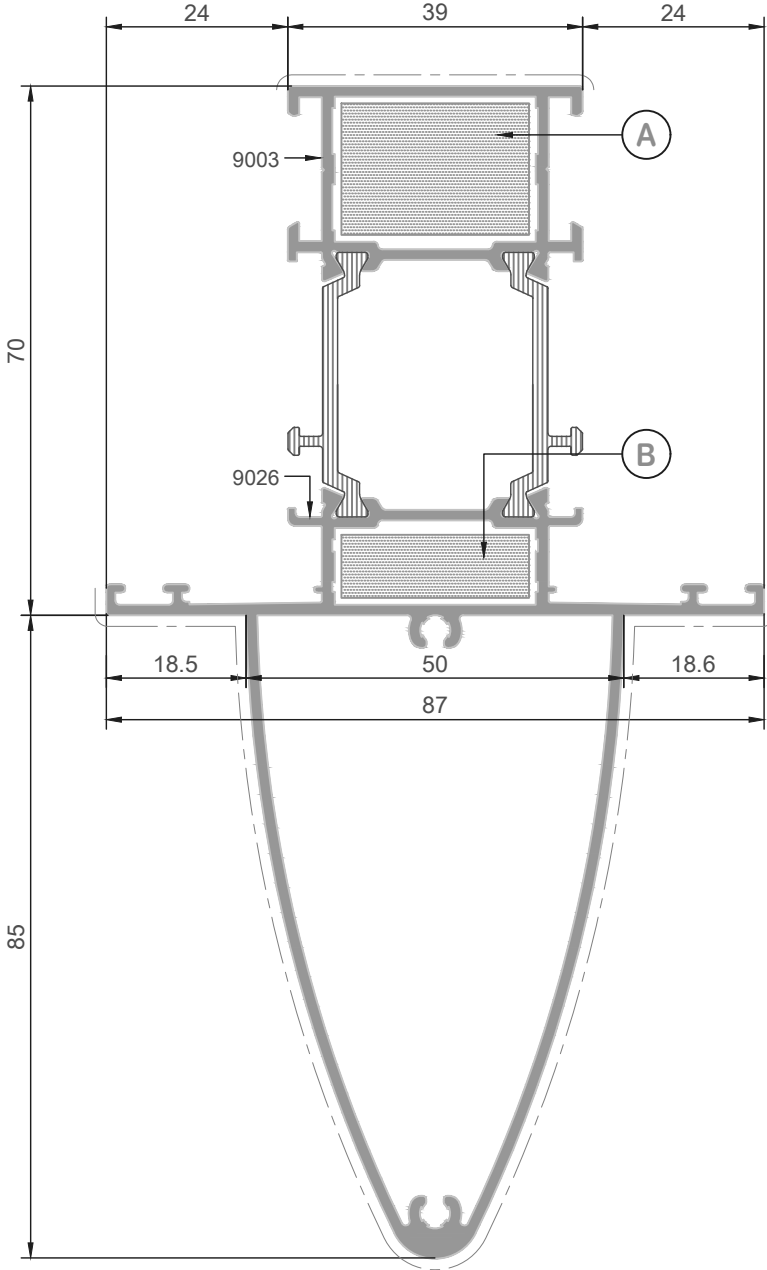
| STATICAL VALUE | | PROFILE CODE | Weight (kg/mt) |
|------------------------|------------------------|--------------|----------------|
| Jxx (cm ⁴) | Jyy (cm ⁴) | WT 70 P 1008 | 1,717 kg/mt |
| 27,60 | 16,53 | | |

| T JOINT | A | B |
|---|--------------------|--------------------|
|  | 2x3,9mm İNOX SCREW | 1x3,9mm İNOX SCREW |




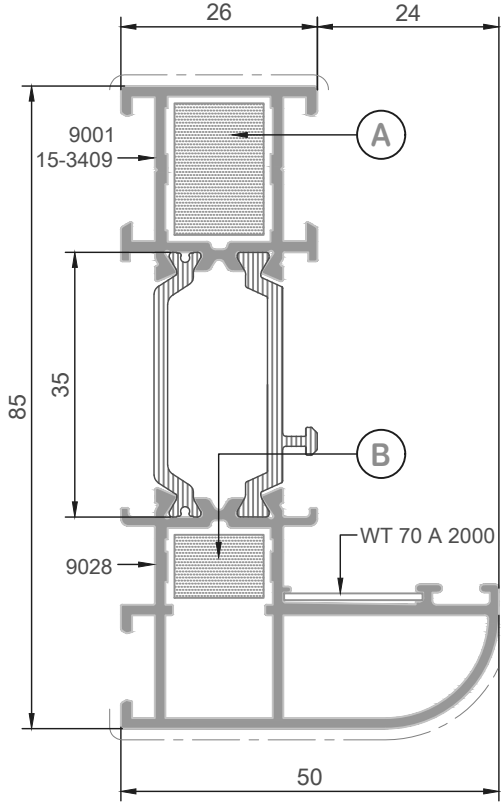
| STATICAL VALUE | | PROFILE CODE | Weight (kg/mt) |
|------------------------|------------------------|--------------|----------------|
| Jxx (cm ⁴) | Jyy (cm ⁴) | WT 70 P 1009 | 2,270 kg/mt |
| 87,36 | 17,95 | | |

| CORNER CLEATS | A | B |
|---|-------------------------------|-------------------------------|
|  | WT 70 A 2012 Lenght:26,2mm | WT 70 A 2013 Lenght:26,2mm |




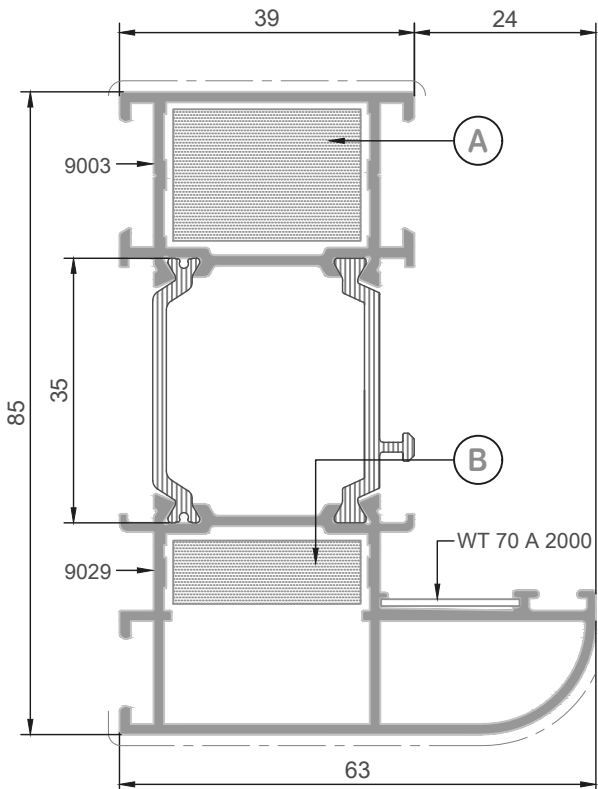
| STATICAL VALUE | | PROFILE CODE | Weight (kg/mt) |
|---------------------------|---------------------------|--------------|----------------|
| Jxx (cm ⁴) | Jyy (cm ⁴) | WT 70 P 1010 | 2,516 kg/mt |
| 122,46 | 24,79 | | |

| CORNER CLEATS | A | B |
|---|-------------------------------|-------------------------------|
|  | WT 70 A 2012 Lenght:26,2mm | WT 70 A 2013 Lenght:26,2mm |




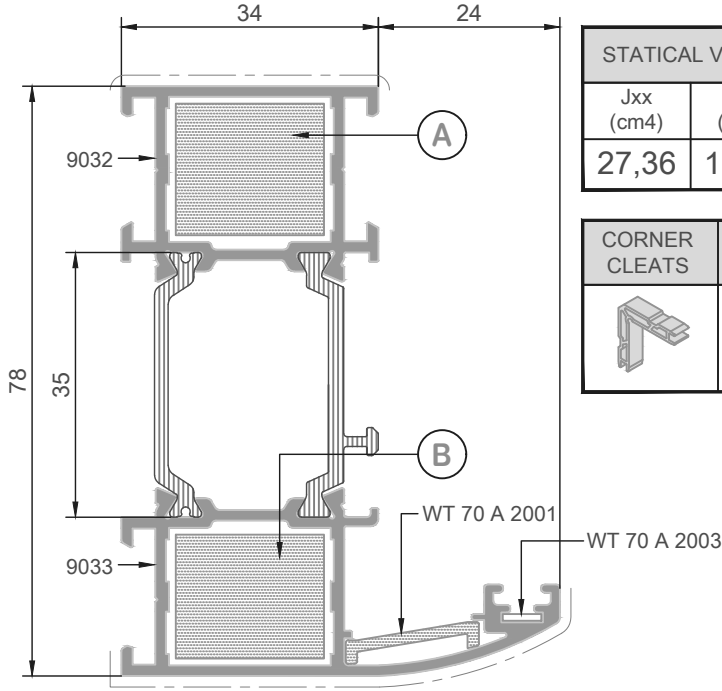
| STATICAL VALUE | | PROFILE CODE | Weight (kg/mt) |
|----------------|-----------|--------------|----------------|
| Jxx (cm4) | Jyy (cm4) | WT 70 P 1011 | 1,545 kg/mt |
| 42,05 | 14,70 | | |

| CORNER CLEATS | A | B |
|---|-------------------------------|------------------------------|
|  | WT 70 A 2004 Lenght:18,8mm | WT 70 A 2005 Lenght:9,8mm |

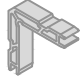


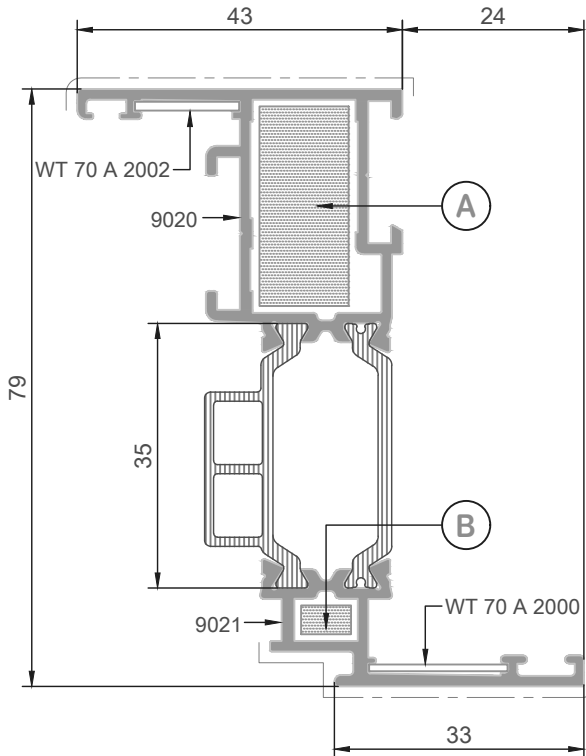
| STATICAL VALUE | | PROFILE CODE | Weight (kg/mt) |
|----------------|-----------|--------------|----------------|
| Jxx (cm4) | Jyy (cm4) | WT 70 P 1012 | 1,754 kg/mt |
| 36,27 | 16,40 | | |

| CORNER CLEATS | A | B |
|---|-------------------------------|------------------------------|
|  | WT 70 A 2006 Lenght:18,8mm | WT 70 A 2007 Lenght:9,8mm |

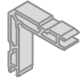


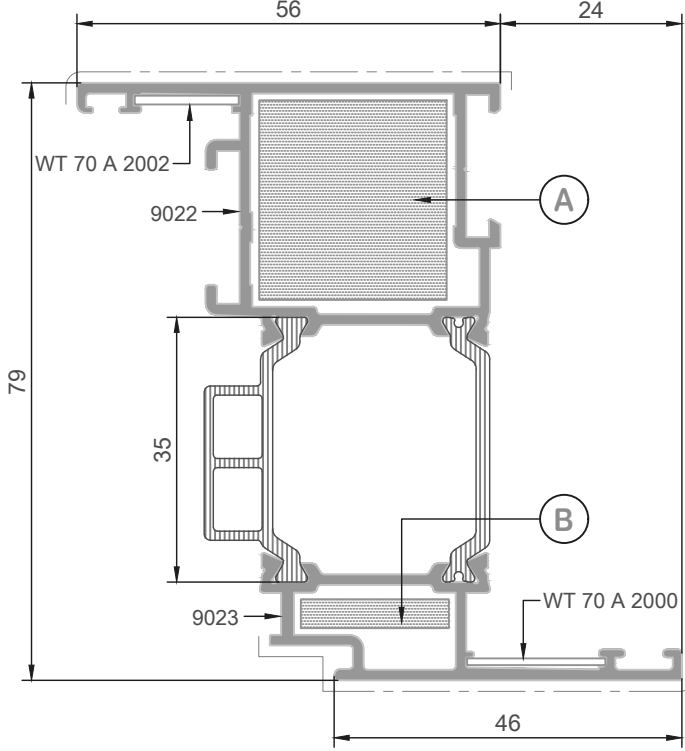
| STATICAL VALUE | | PROFILE CODE | Weight (kg/mt) |
|----------------|-----------|--------------|----------------|
| Jxx (cm4) | Jyy (cm4) | WT 70 P 1013 | 1,507 kg/mt |
| 27,36 | 10,43 | | |

| CORNER CLEATS | A | B |
|---|-------------------------------|-------------------------------|
|  | WT 70 A 2016 Lenght:18,8mm | WT 70 A 2017 Lenght:17,8mm |

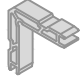


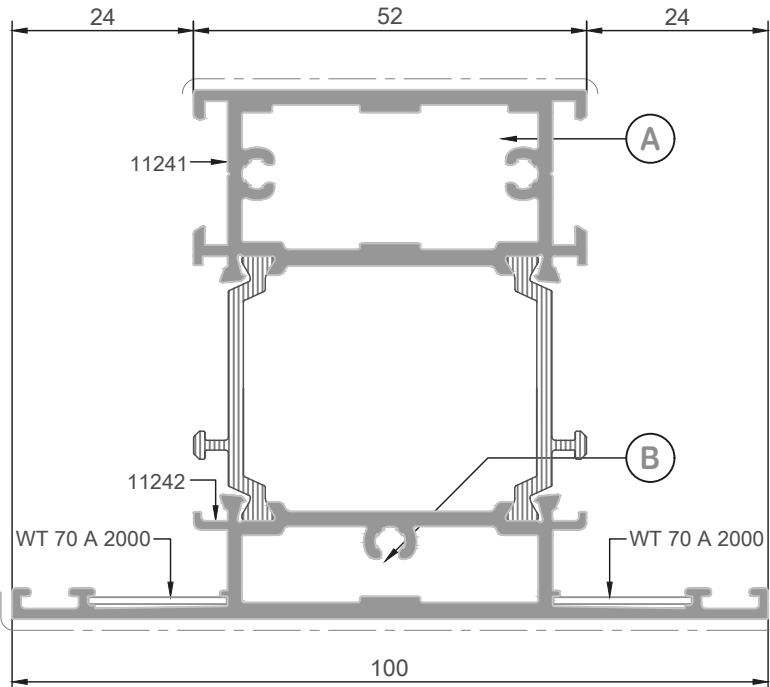
| STATICAL VALUE | | PROFILE CODE | Weight (kg/mt) |
|----------------|-----------|--------------|----------------|
| Jxx (cm4) | Jyy (cm4) | WT 70 P 1014 | 1,382 kg/mt |
| 26,28 | 6,69 | | |

| CORNER CLEATS | A | B |
|---|-------------------------------|------------------------------|
|  | WT 70 A 2018 Lenght:27,8mm | WT 70 A 2019 Lenght:5,2mm |




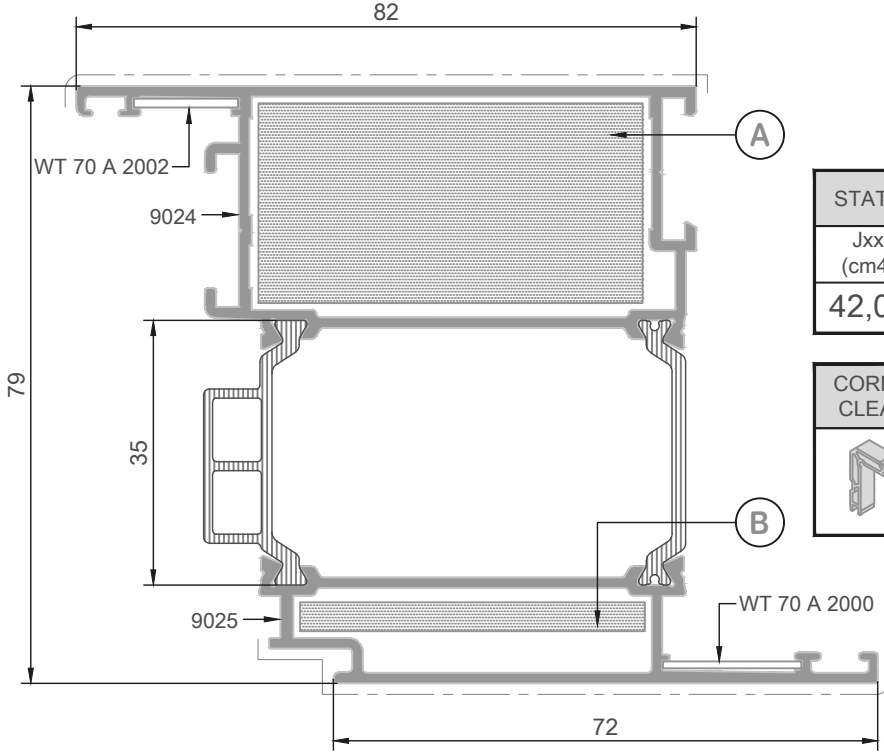
| STATICAL VALUE | | PROFILE CODE | Weight (kg/mt) |
|----------------|-----------|--------------|----------------|
| Jxx (cm4) | Jyy (cm4) | WT 70 P 1015 | 1,600 kg/mt |
| 31,79 | 13,57 | | |

| CORNER CLEATS | A | B |
|---|-------------------------------|------------------------------|
|  | WT 70 A 2020 Lenght:27,8mm | WT 70 A 2021 Lenght:5,2mm |




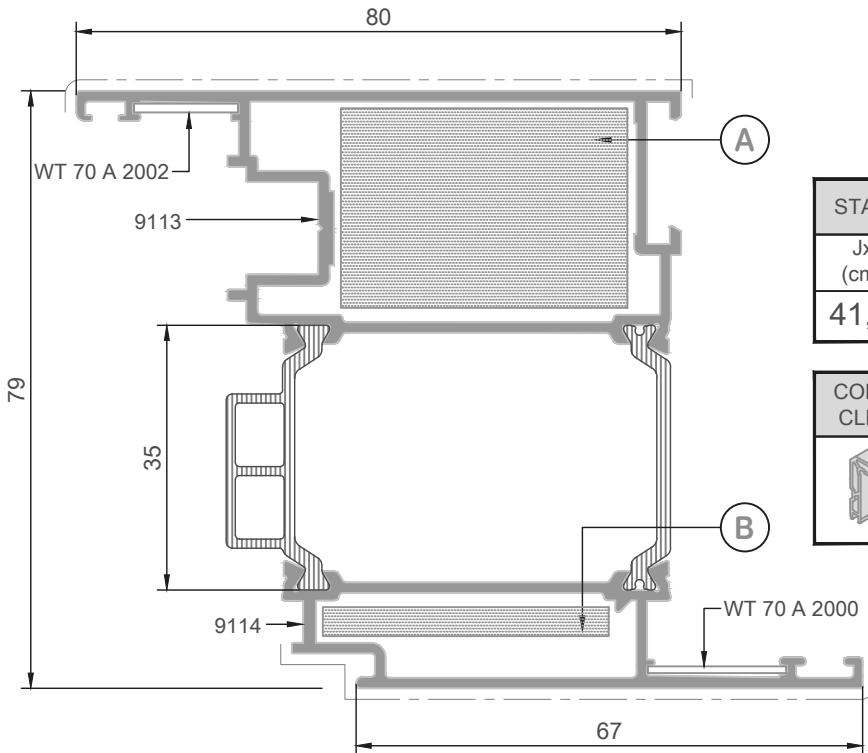
| STATICAL VALUE | | PROFILE CODE | Weight (kg/mt) |
|----------------|-----------|--------------|----------------|
| Jxx (cm4) | Jyy (cm4) | WT 70 P 1097 | 2,392 kg/mt |
| 41,13 | 31,23 | | |

| CORNER CLEATS | A | B |
|---|-----------------------|-----------------------|
|  | 2x3,9mm INOX SCREW | 1x3,9mm INOX SCREW |




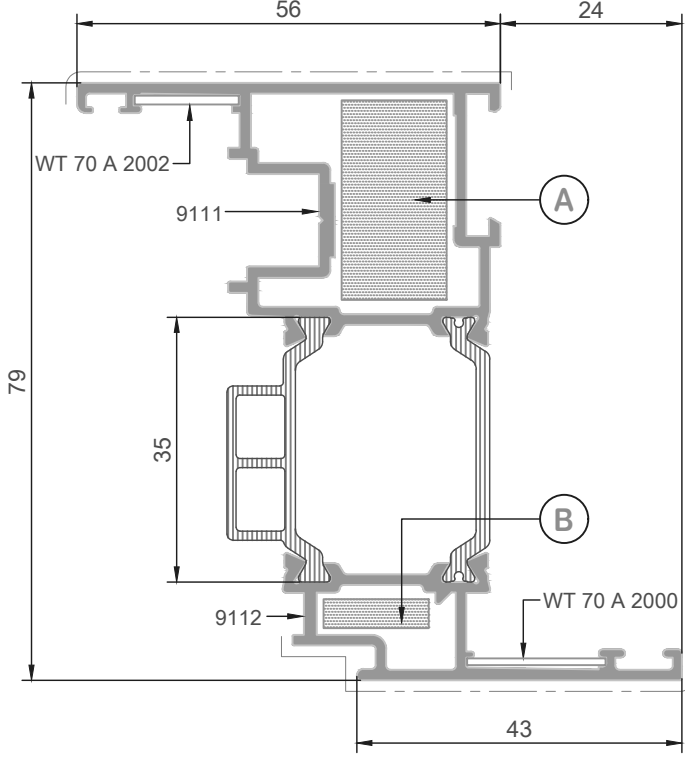
| STATICAL VALUE | | PROFILE CODE | Weight (kg/mt) |
|---------------------------|---------------------------|--------------|----------------|
| Jxx (cm ⁴) | Jyy (cm ⁴) | WT 70 P 1016 | 2,018 kg/mt |
| 42,07 | 39,71 | | |

| CORNER CLEATS | A | B |
|---|-------------------------------|------------------------------|
|  | WT 70 A 2022 Lenght:27,8mm | WT 70 A 2023 Lenght:5,2mm |




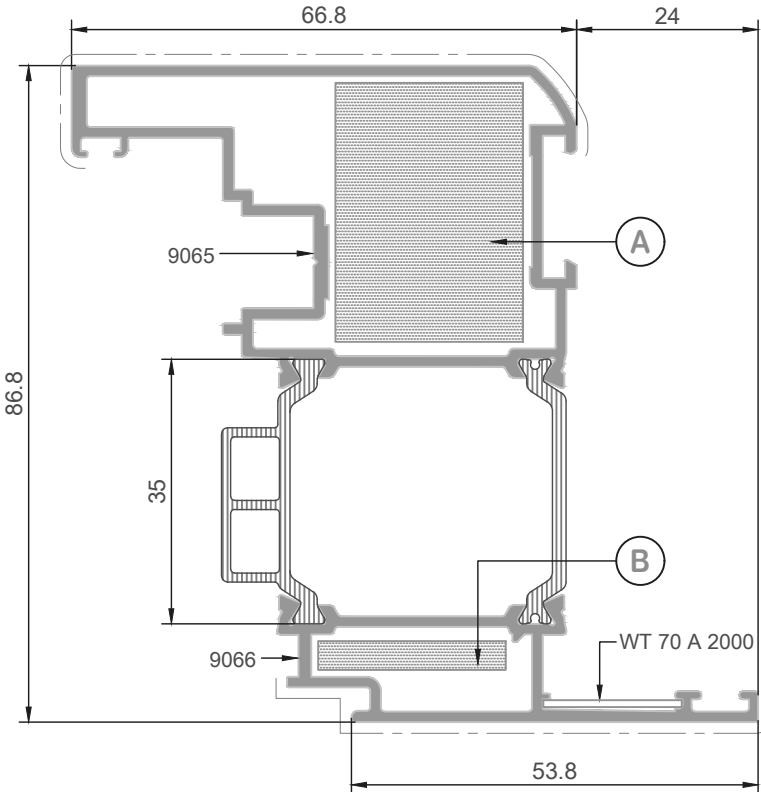
| STATICAL VALUE | | PROFILE CODE | Weight (kg/mt) |
|---------------------------|---------------------------|--------------|----------------|
| Jxx (cm ⁴) | Jyy (cm ⁴) | WT 70 P 1019 | 2,027 kg/mt |
| 41,52 | 35,17 | | |

| CORNER CLEATS | A | B |
|---|-------------------------------|------------------------------|
|  | WT 70 A 2028 Lenght:27,8mm | WT 70 A 2029 Lenght:5,2mm |

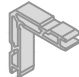


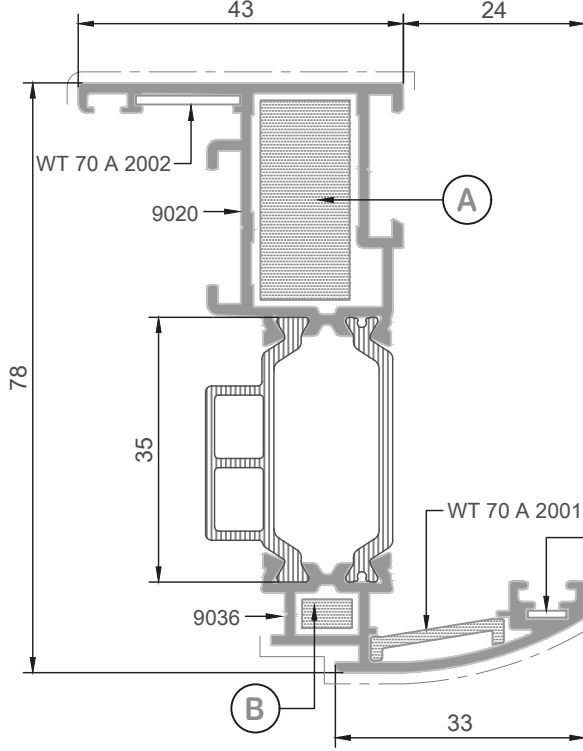
| STATICAL VALUE | | PROFILE CODE | Weight (kg/mt) |
|----------------|-----------|--------------|----------------|
| Jxx (cm4) | Jyy (cm4) | WT 70 P 1017 | 1,638 kg/mt |
| 31,91 | 12,44 | | |

| CORNER CLEATS | A | B |
|---|-------------------------------|------------------------------|
|  | WT 70 A 2024 Lenght:27,8mm | WT 70 A 2025 Lenght:5,2mm |




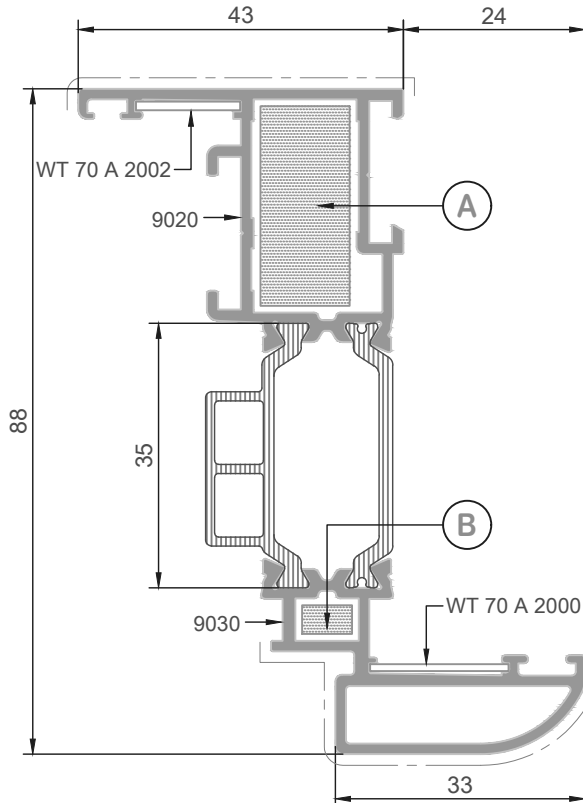
| STATICAL VALUE | | PROFILE CODE | Weight (kg/mt) |
|----------------|-----------|--------------|----------------|
| Jxx (cm4) | Jyy (cm4) | WT 70 P 1018 | 1,954 kg/mt |
| 45,41 | 26,81 | | |

| CORNER CLEATS | A | B |
|---|-------------------------------|------------------------------|
|  | WT 70 A 2026 Lenght:35,6mm | WT 70 A 2027 Lenght:5,2mm |




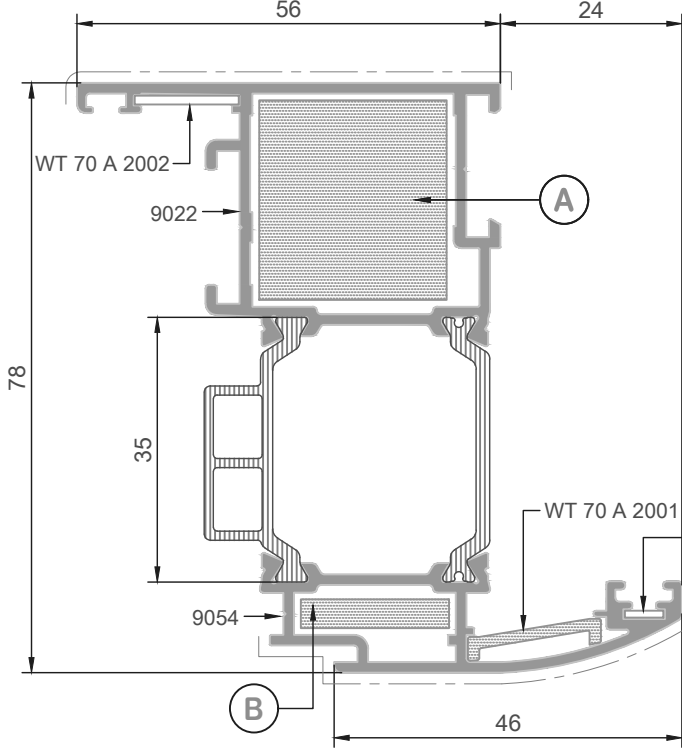
| STATICAL VALUE | | PROFILE CODE | Weight (kg/mt) |
|----------------|-----------|--------------|----------------|
| Jxx (cm4) | Jyy (cm4) | WT 70 P 1020 | 1,415 kg/mt |
| 25,80 | 8,13 | | |

| CORNER CLEATS | A | B |
|---|-------------------------------|------------------------------|
|  | WT 70 A 2018 Lenght:27,8mm | WT 70 A 2019 Lenght:5,2mm |

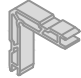


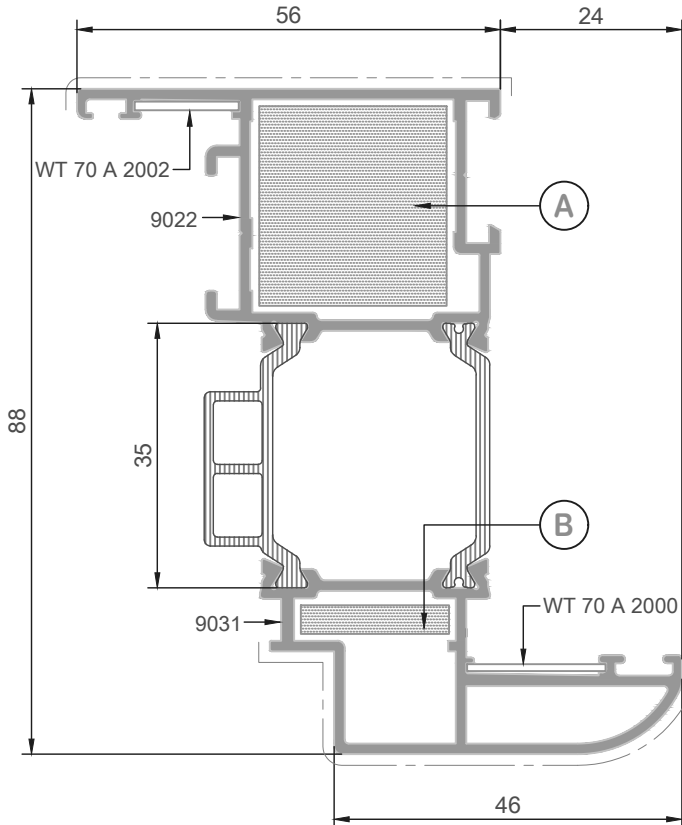
| STATICAL VALUE | | PROFILE CODE | Weight (kg/mt) |
|----------------|-----------|--------------|----------------|
| Jxx (cm4) | Jyy (cm4) | WT 70 P 1021 | 1,555 kg/mt |
| 35,28 | 8,75 | | |

| CORNER CLEATS | A | B |
|---|-------------------------------|------------------------------|
|  | WT 70 A 2018 Lenght:27,8mm | WT 70 A 2019 Lenght:5,2mm |

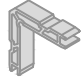


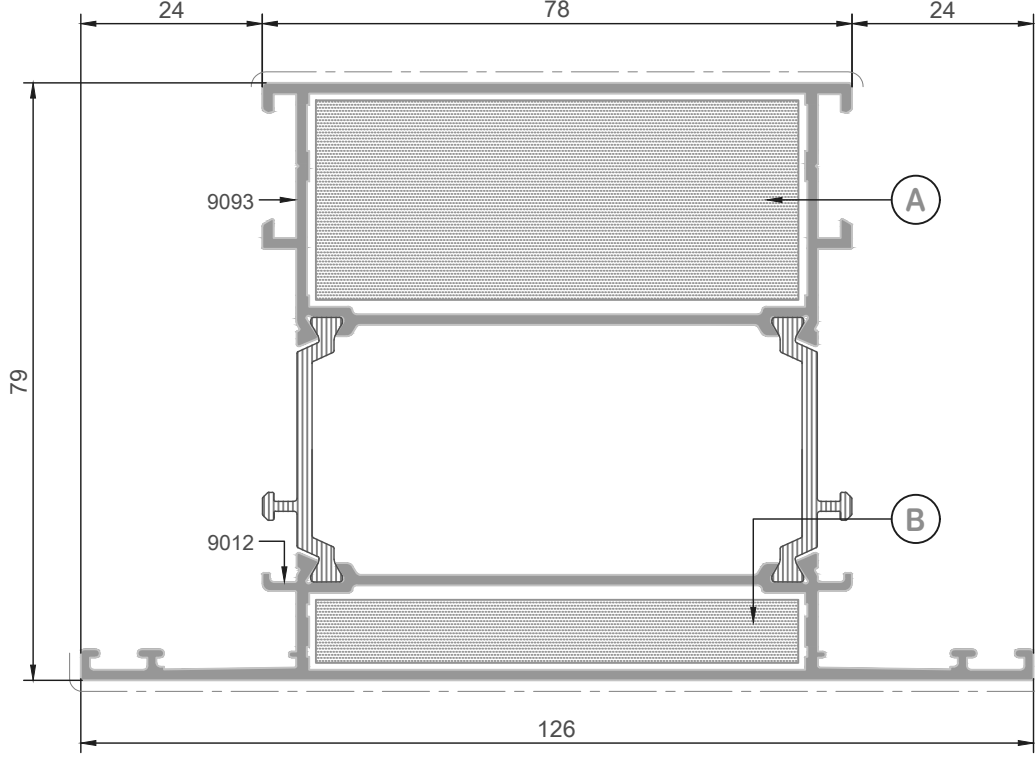
| STATICAL VALUE | | PROFILE CODE | Weight (kg/mt) |
|---------------------------|---------------------------|--------------|----------------|
| Jxx (cm ⁴) | Jyy (cm ⁴) | WT 70 P 1022 | 1,641 kg/mt |
| 31,43 | 15,71 | | |

| CORNER CLEATS | (A) | (B) |
|---|-------------------------------|------------------------------|
|  | WT 70 A 2020 Lenght:27,8mm | WT 70 A 2021 Lenght:5,2mm |



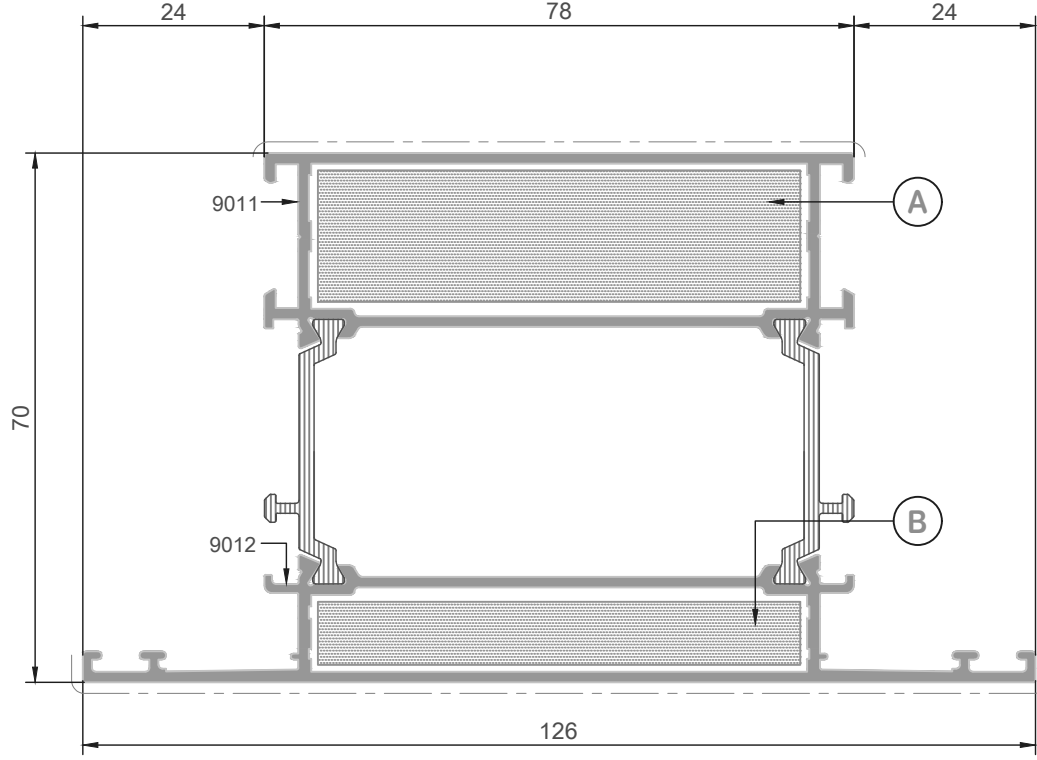
| STATICAL VALUE | | PROFILE CODE | Weight (kg/mt) |
|---------------------------|---------------------------|--------------|----------------|
| Jxx (cm ⁴) | Jyy (cm ⁴) | WT 70 P 1023 | 1,791 kg/mt |
| 42,30 | 17,07 | | |

| CORNER CLEATS | (A) | (B) |
|---|-------------------------------|------------------------------|
|  | WT 70 A 2020 Lenght:27,8mm | WT 70 A 2021 Lenght:5,2mm |



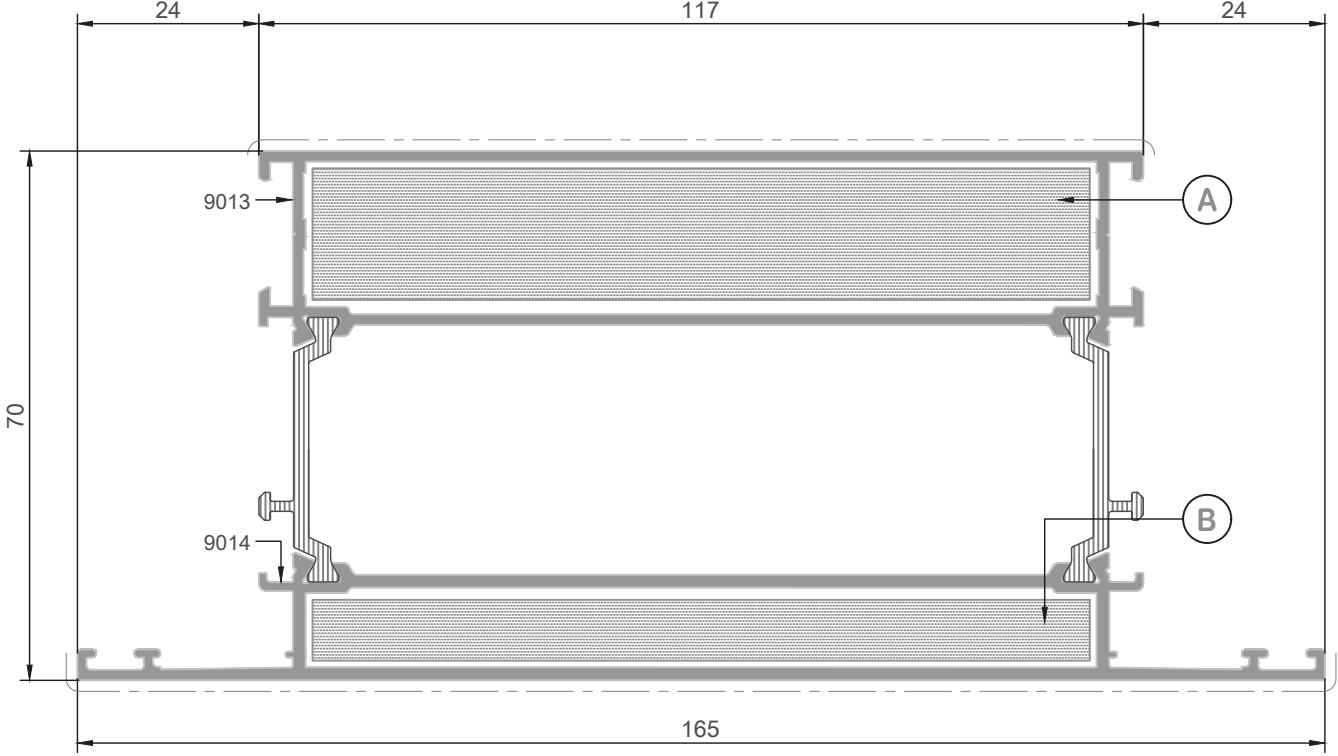
| STATICAL VALUE | | PROFILE CODE | Weight (kg/mt) |
|---------------------------|---------------------------|--------------|----------------|
| Jxx (cm ⁴) | Jyy (cm ⁴) | WT 70 P 1024 | 2,298 kg/mt |
| 48,59 | 68,03 | | |

| CORNER CLEATS | A | B |
|---------------|-------------------------------|-------------------------------|
| | WT 70 A 2030 Lenght:65,2mm | WT 70 A 2031 Lenght:65,2mm |




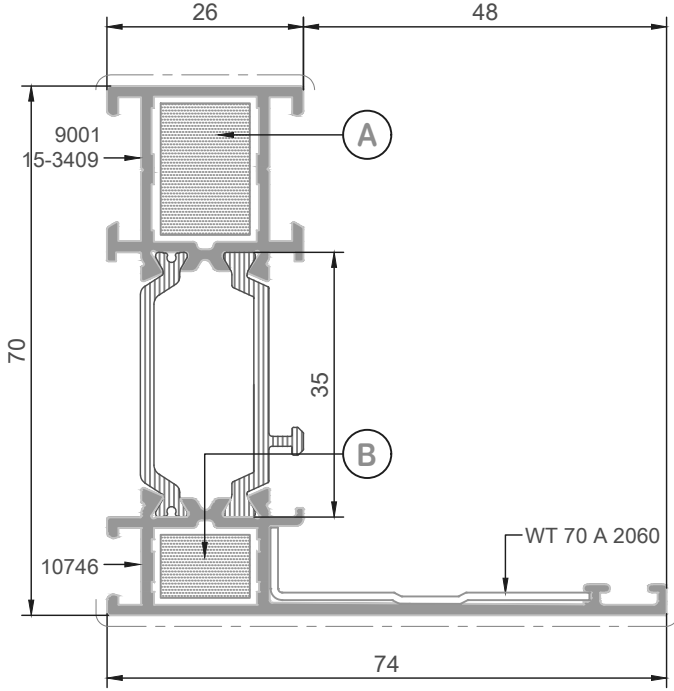
| STATICAL VALUE | | PROFILE CODE | Weight (kg/mt) |
|---------------------------|---------------------------|--------------|----------------|
| Jxx (cm ⁴) | Jyy (cm ⁴) | WT 70 P 1025 | 2,235 kg/mt |
| 37,95 | 65,70 | | |

| CORNER CLEATS | A | B |
|---------------|-------------------------------|-------------------------------|
| | WT 70 A 2030 Lenght:65,2mm | WT 70 A 2031 Lenght:65,2mm |




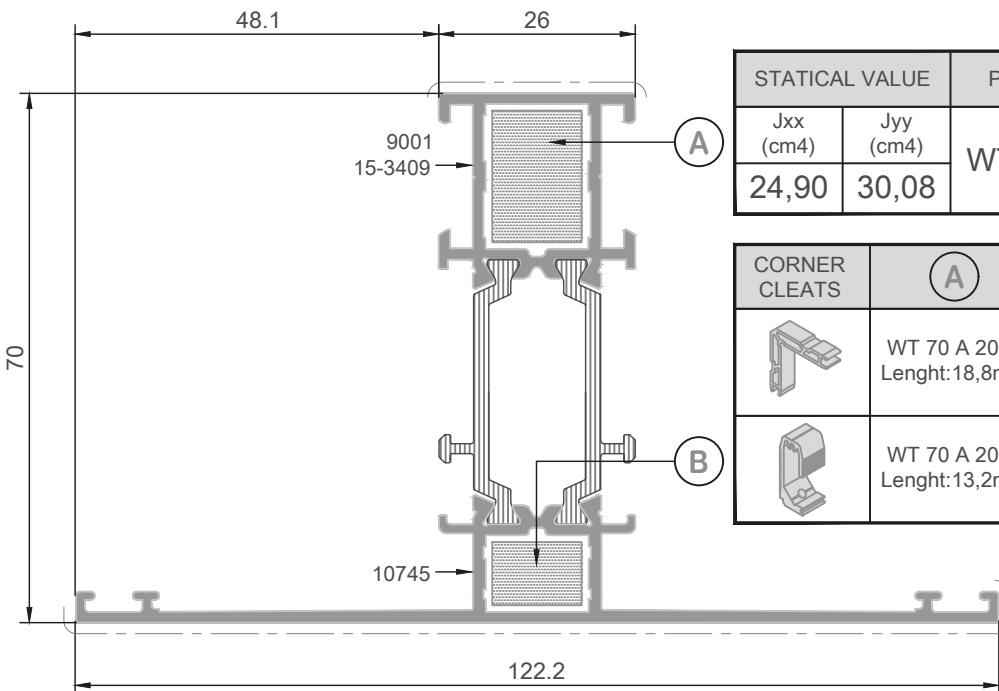
| STATICAL VALUE | | PROFILE CODE | Weight (kg/mt) |
|---------------------------|---------------------------|--------------|----------------|
| Jxx (cm ⁴) | Jyy (cm ⁴) | WT 70 P 1026 | 3,038 kg/mt |
| 52,78 | 172,89 | | |

| CORNER CLEATS | A | B |
|---|--------------------------------|--------------------------------|
|  | WT 70 A 2032 Lenght:104,2mm | WT 70 A 2033 Lenght:104,2mm |





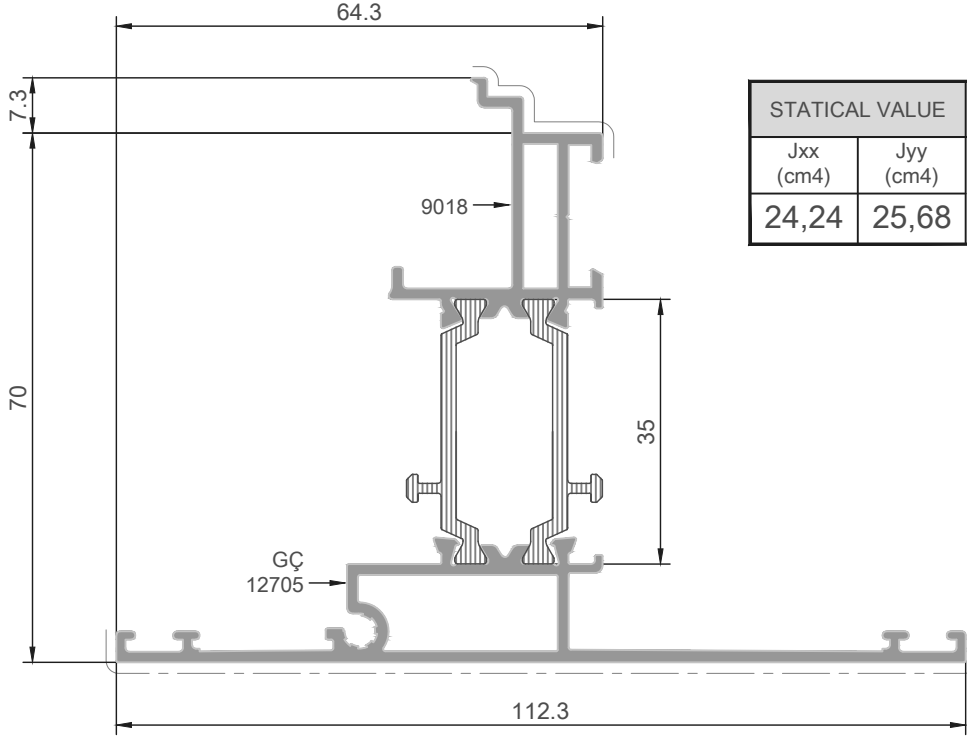
| STATICAL VALUE | | PROFILE CODE | Weight (kg/mt) |
|----------------|-----------|--------------|----------------|
| Jxx (cm4) | Jyy (cm4) | WT 70 P 1027 | 1,352 kg/mt |
| 21,09 | 13,55 | | |

| CORNER CLEATS | A | B |
|---|-------------------------------|------------------------------|
|  | WT 70 A 2004 Lenght:18,8mm | WT 70 A 2005 Lenght:9,8mm |

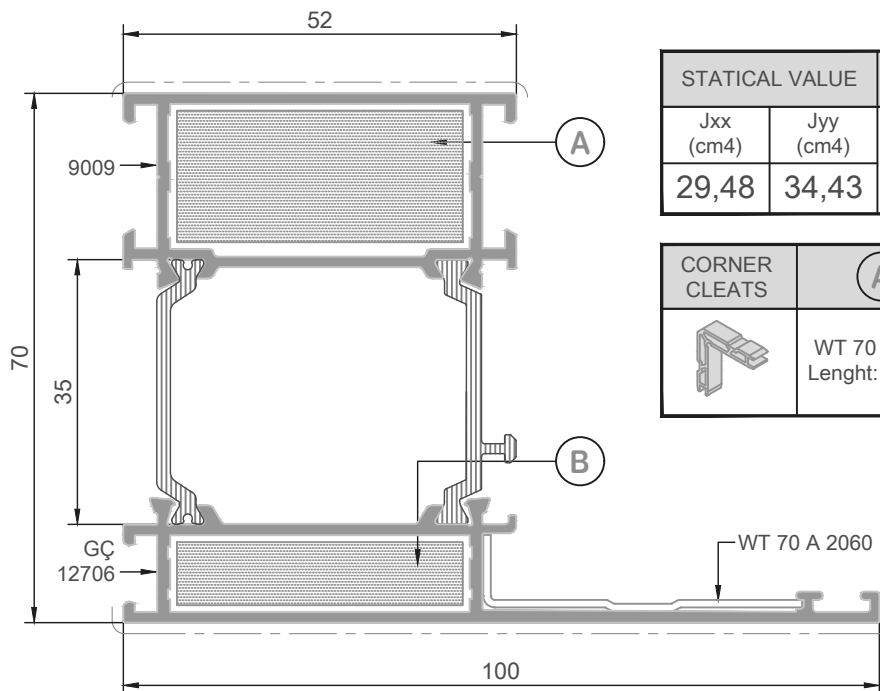


| STATICAL VALUE | | PROFILE CODE | Weight (kg/mt) |
|----------------|-----------|--------------|----------------|
| Jxx (cm4) | Jyy (cm4) | WT 70 P 1028 | 1,607 kg/mt |
| 24,90 | 30,08 | | |

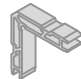
| CORNER CLEATS | A | B |
|---|-------------------------------|-------------------------------|
|  | WT 70 A 2004 Lenght:18,8mm | WT 70 A 2005 Lenght:9,8mm |
|  | WT 70 A 2010 Lenght:13,2mm | WT 70 A 2080 Lenght:13,2mm |

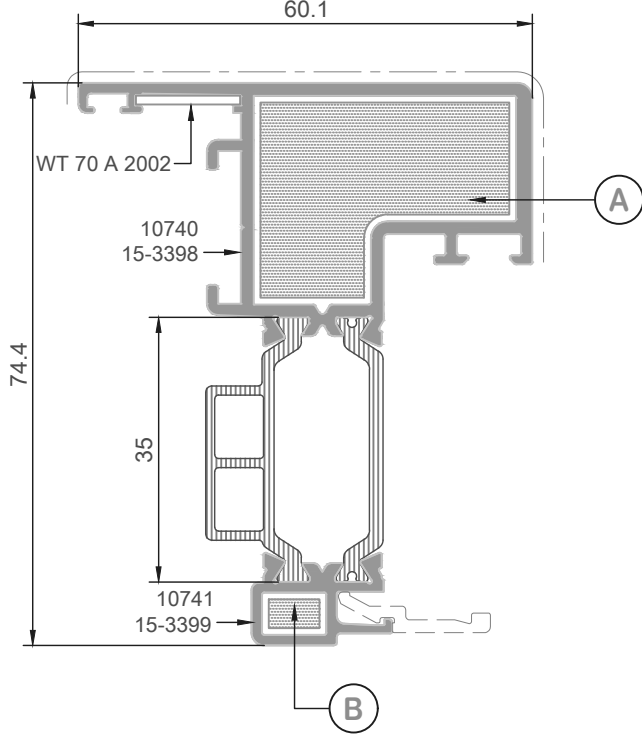


| STATICAL VALUE | | PROFILE CODE | Weight (kg/mt) |
|---------------------------|---------------------------|--------------|----------------|
| Jxx (cm ⁴) | Jyy (cm ⁴) | WT 70 P 1099 | 1,620 kg/mt |
| 24,24 | 25,68 | | |

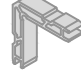


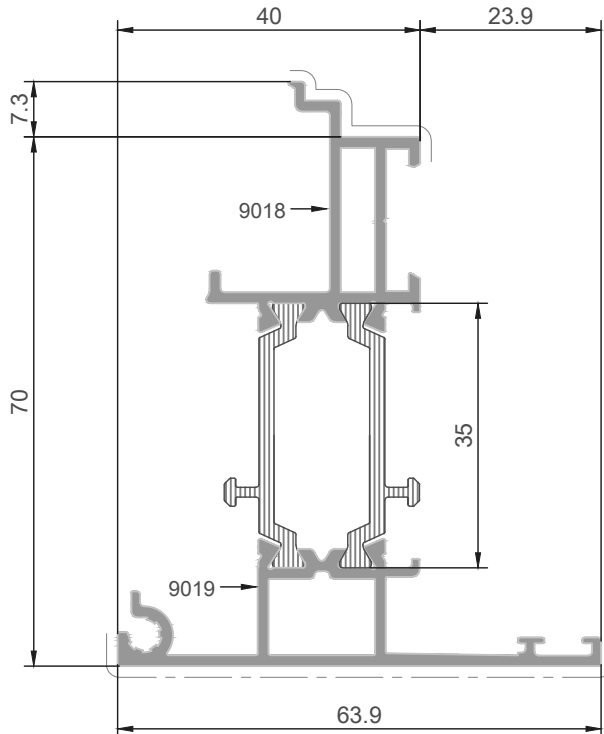
| STATICAL VALUE | | PROFILE CODE | Weight (kg/mt) |
|---------------------------|---------------------------|--------------|----------------|
| Jxx (cm ⁴) | Jyy (cm ⁴) | WT 70 P 1098 | 1,783 kg/mt |
| 29,48 | 34,43 | | |

| CORNER CLEATS | A | B |
|---|-------------------------------|------------------------------|
|  | WT 70 A 2008 Lenght:18,8mm | WT 70 A 2009 Lenght:9,8mm |

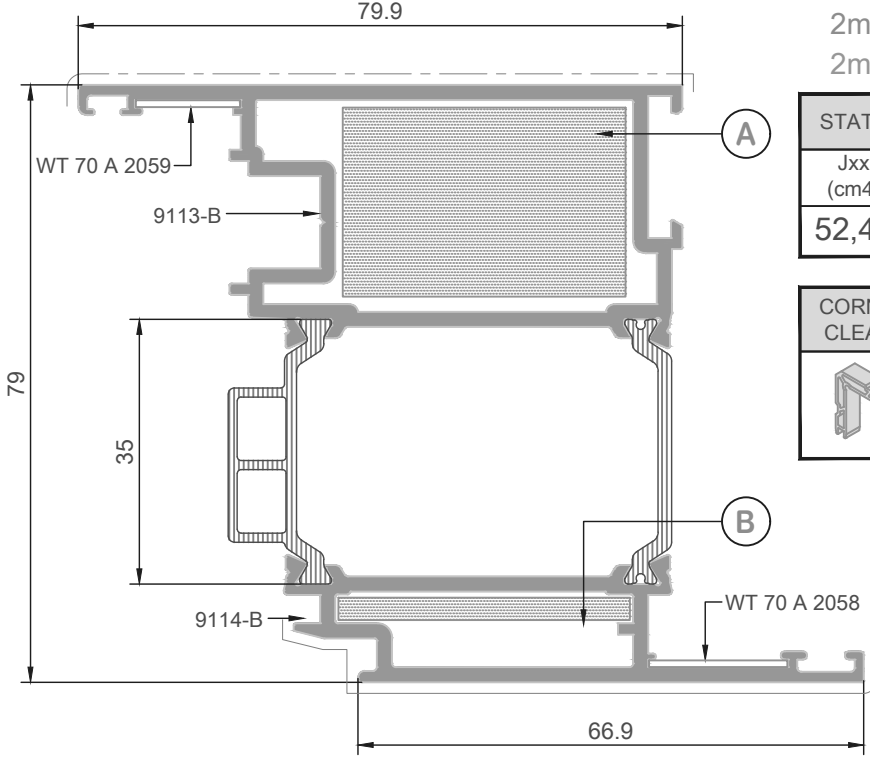


| STATICAL VALUE | | PROFILE CODE | Weight (kg/mt) |
|---------------------------|---------------------------|--------------|----------------|
| Jxx (cm ⁴) | Jyy (cm ⁴) | WT 70 P 1029 | 1,468 kg/mt |
| 19,62 | 9,14 | | |

| CORNER CLEATS | A | B |
|---|-------------------------------|------------------------------|
|  | WT 70 A 2034 Lenght:27,2mm | WT 70 A 2019 Lenght:5,2mm |

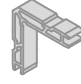


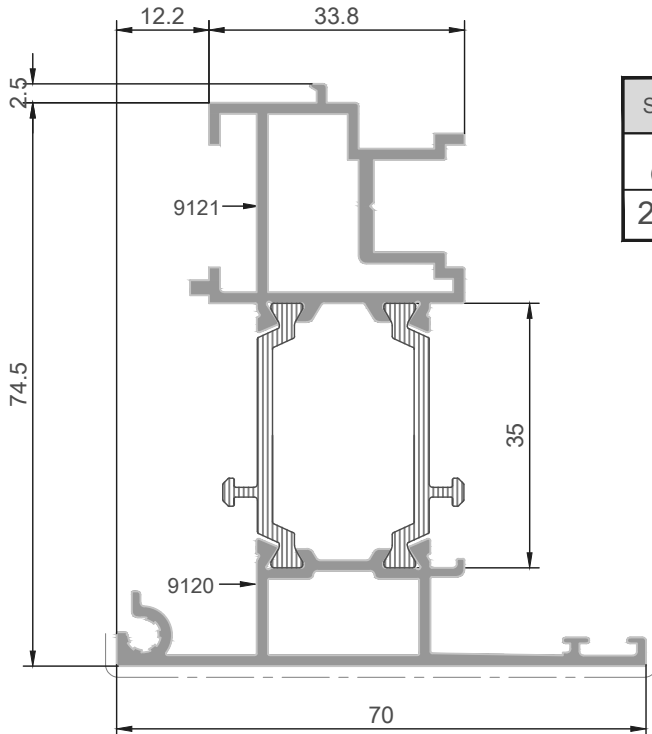
| STATICAL VALUE | | PROFILE CODE | Weight (kg/mt) |
|---------------------------|---------------------------|--------------|----------------|
| Jxx (cm ⁴) | Jyy (cm ⁴) | WT 70 P 1030 | 1,345 kg/mt |
| 20,46 | 6,69 | | |



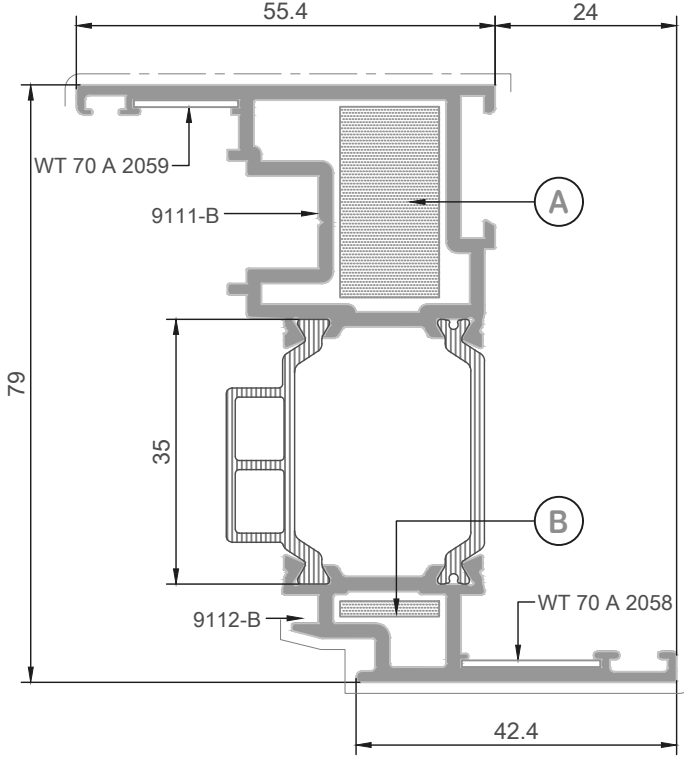
2mm THICK PROFILES
2mm KALIN PROFİLLER

| STATICAL VALUE | | PROFILE CODE | Weight (kg/mt) |
|---------------------------|---------------------------|--------------|----------------|
| Jxx (cm ⁴) | Jyy (cm ⁴) | WT 70 P 1031 | 2,510 kg/mt |
| 52,47 | 41,09 | | |

| CORNER CLEATS | A | B |
|---|-------------------------------|------------------------------|
|  | WT 70 A 2036 Lenght:26,6mm | WT 70 A 2037 Lenght:3,4mm |

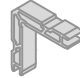


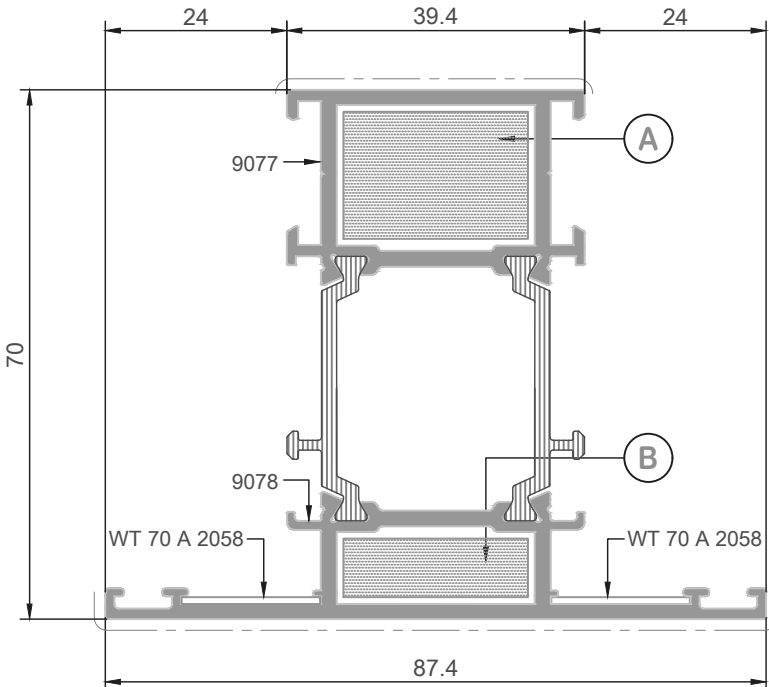
| STATICAL VALUE | | PROFILE CODE | Weight (kg/mt) |
|---------------------------|---------------------------|--------------|----------------|
| Jxx (cm ⁴) | Jyy (cm ⁴) | WT 70 P 1092 | 1,610 kg/mt |
| 27,60 | 10,33 | | |



2mm THICK PROFILES
2mm KALIN PROFİLLER

| STATICAL VALUE | | PROFILE CODE | Weight (kg/mt) |
|---------------------------|---------------------------|--------------|----------------|
| Jxx (cm ⁴) | Jyy (cm ⁴) | WT 70 P 1032 | 1,938 kg/mt |
| 38,16 | 13,61 | | |

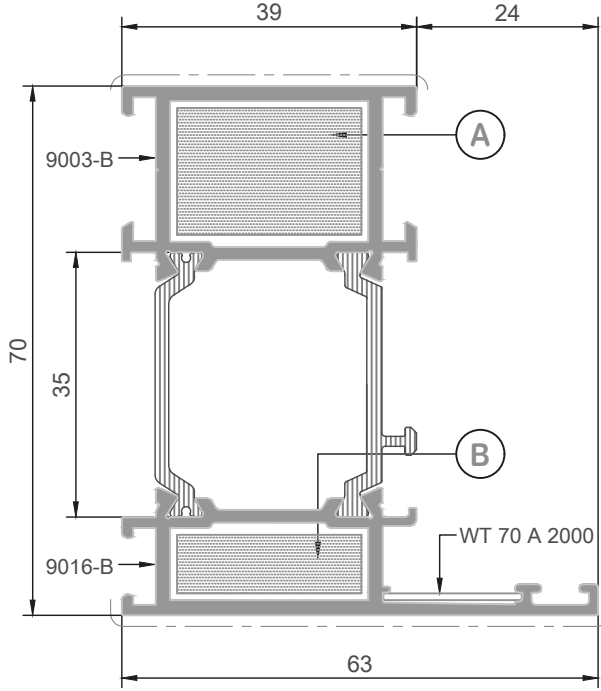
| CORNER CLEATS | A | B |
|---|-------------------------------|------------------------------|
|  | WT 70 A 2038 Lenght:26,6mm | WT 70 A 2039 Lenght:3,4mm |



2mm THICK PROFILES
2mm KALIN PROFİLLER

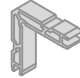
| STATICAL VALUE | | PROFILE CODE | Weight (kg/mt) |
|---------------------------|---------------------------|--------------|----------------|
| Jxx (cm ⁴) | Jyy (cm ⁴) | WT 70 P 1033 | 1,904 kg/mt |
| 31,72 | 18,37 | | |

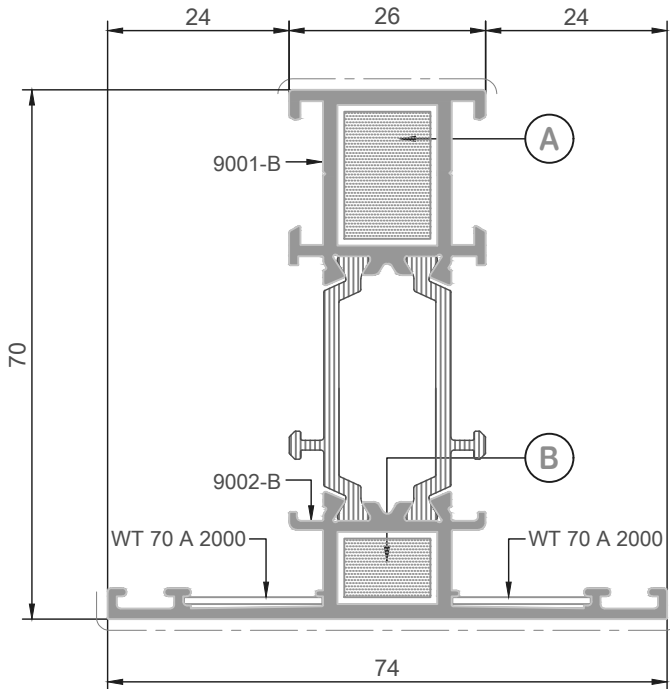
| CORNER CLEATS | A | B |
|---|-------------------------------|-------------------------------|
|  | WT 70 A 2040 Lenght:18,2mm | WT 70 A 2041 Lenght:9,2mm |
|  | WT 70 A 2042 Lenght:25,8mm | WT 70 A 2043 Lenght:25,8mm |



2mm THICK PROFILES 2mm KALIN PROFİLLER

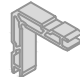

| STATICAL VALUE | | PROFILE CODE | Weight (kg/mt) |
|---------------------------|---------------------------|--------------|----------------|
| Jxx (cm ⁴) | Jyy (cm ⁴) | WT 70 P 1034 | 1,633 kg/mt |
| 26,85 | 11,38 | | |

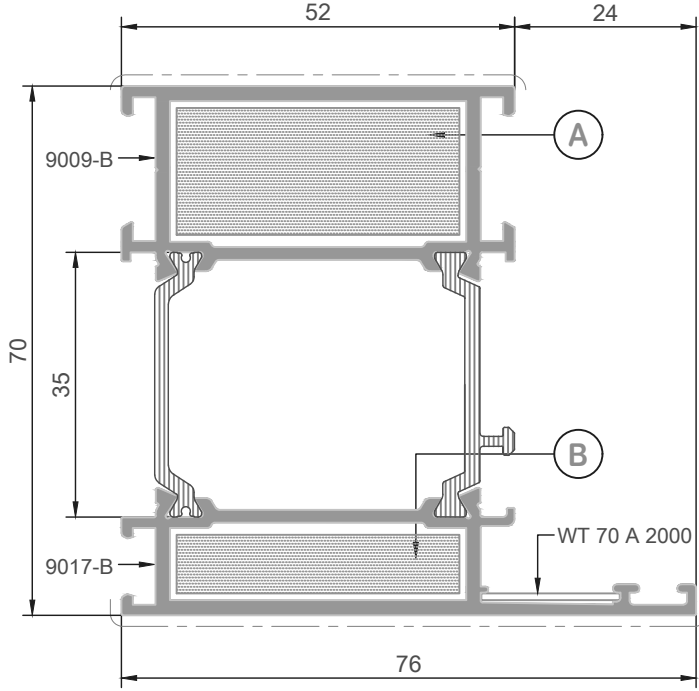
| CORNER CLEATS | A | B |
|---|-------------------------------|------------------------------|
|  | WT 70 A 2040 Lenght:18,2mm | WT 70 A 2041 Lenght:9,2mm |



2mm THICK PROFILES 2mm KALIN PROFİLLER

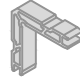
| STATICAL VALUE | | PROFILE CODE | Weight (kg/mt) |
|---------------------------|---------------------------|--------------|----------------|
| Jxx (cm ⁴) | Jyy (cm ⁴) | WT 70 P 1035 | 1,517 kg/mt |
| 24,22 | 8,67 | | |

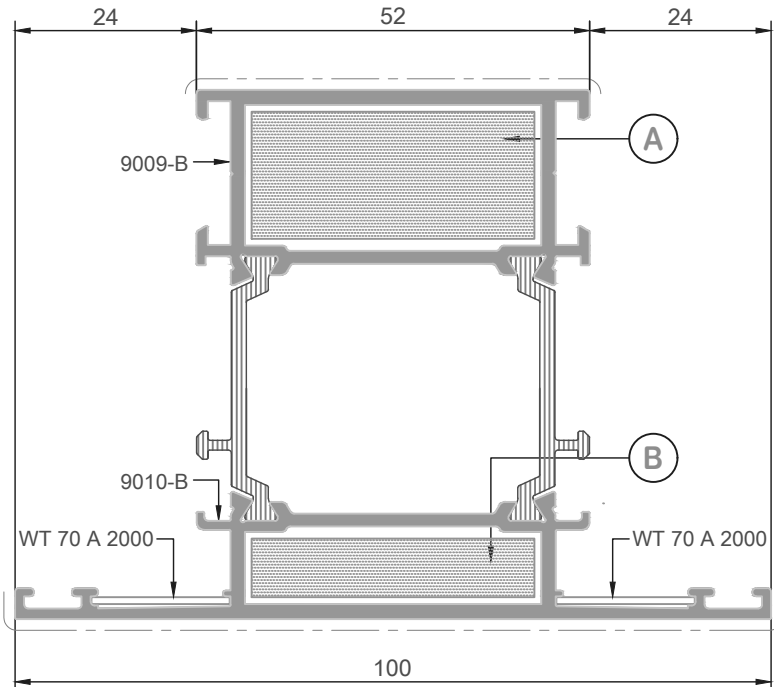
| CORNER CLEATS | A | B |
|---|-------------------------------|-------------------------------|
|  | WT 70 A 2046 Lenght:18,2mm | WT 70 A 2047 Lenght:9,2mm |
|  | WT 70 A 2010 Lenght:13,2mm | WT 70 A 2011 Lenght:13,2mm |



2mm THICK PROFILES 2mm KALIN PROFİLLER

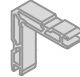

| STATICAL VALUE | | PROFILE CODE | Weight (kg/mt) |
|---------------------------|---------------------------|--------------|----------------|
| Jxx (cm ⁴) | Jyy (cm ⁴) | WT 70 P 1036 | 1,909 kg/mt |
| 32,40 | 21,87 | | |

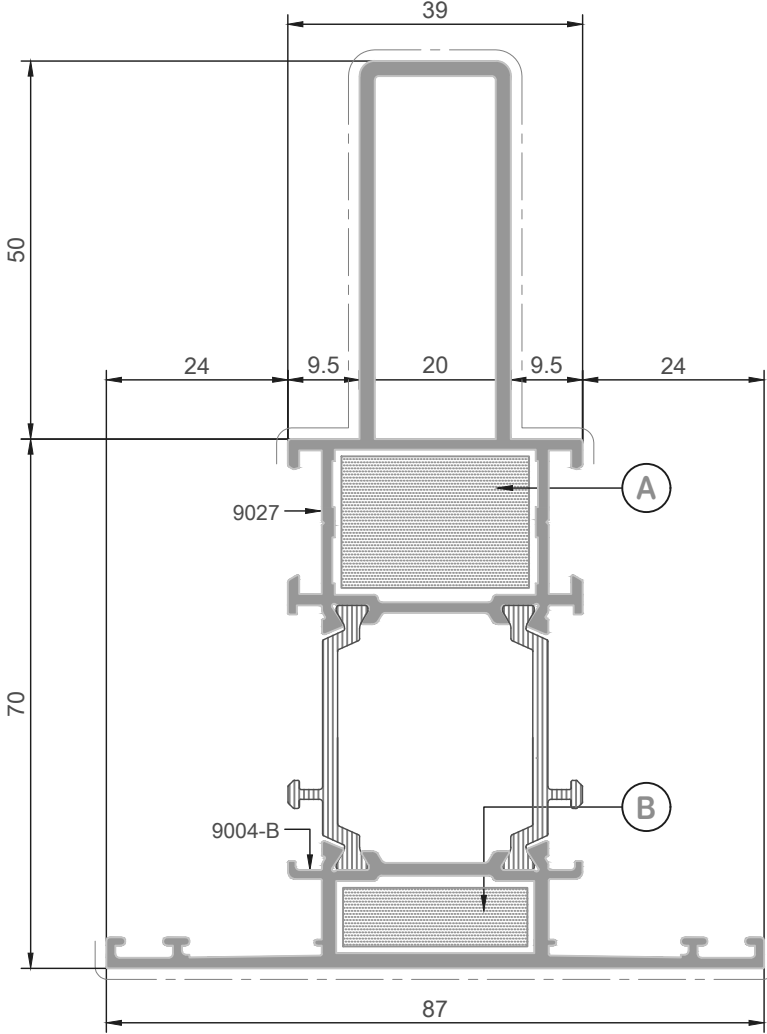
| CORNER CLEATS | A | B |
|---|-------------------------------|------------------------------|
|  | WT 70 A 2050 Lenght:18,2mm | WT 70 A 2051 Lenght:9,2mm |



2mm THICK PROFILES 2mm KALIN PROFİLLER


| STATICAL VALUE | | PROFILE CODE | Weight (kg/mt) |
|---------------------------|---------------------------|--------------|----------------|
| Jxx (cm ⁴) | Jyy (cm ⁴) | WT 70 P 1037 | 2,060 kg/mt |
| 35,40 | 29,47 | | |

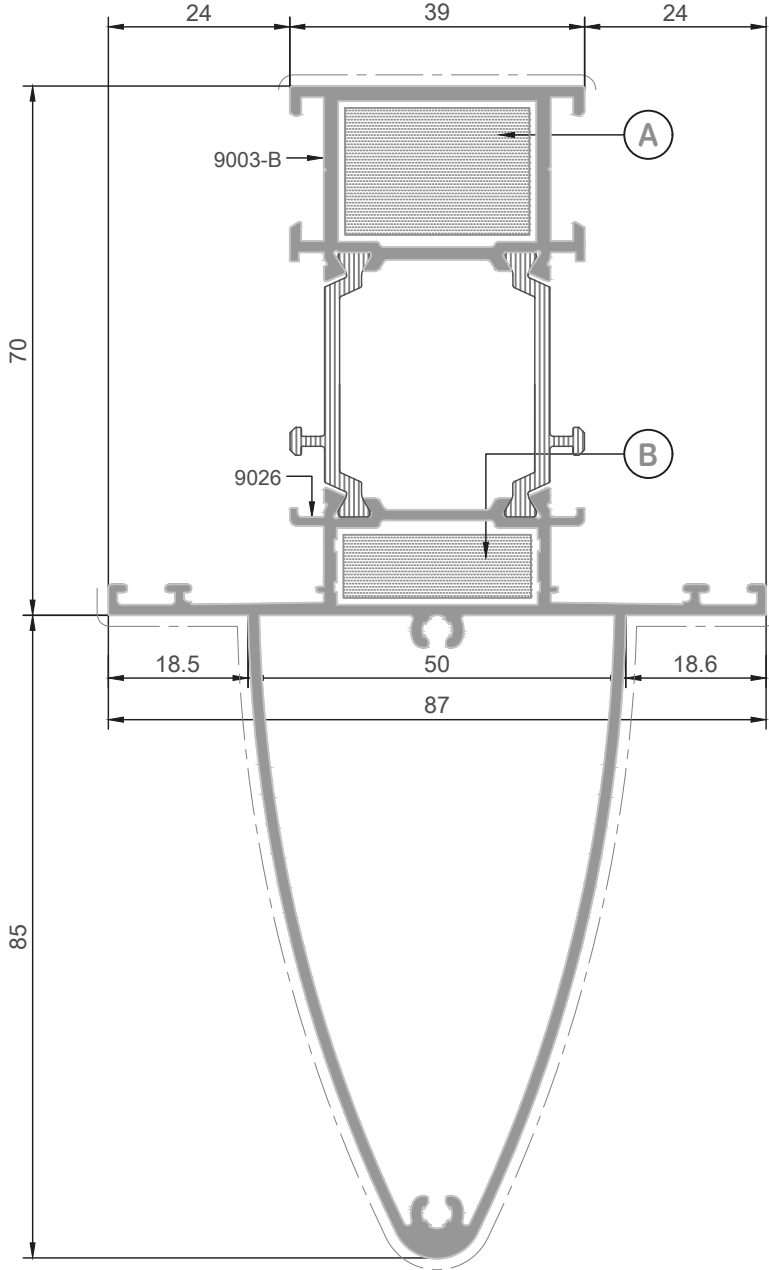
| CORNER CLEATS | A | B |
|---|-------------------------------|-------------------------------|
|  | WT 70 A 2050 Lenght:18,2mm | WT 70 A 2051 Lenght:9,2mm |
|  | WT 70 A 2052 Lenght:38,8mm | WT 70 A 2053 Lenght:38,8mm |



2mm THICK PROFILES 2mm KALIN PROFİLLER


| STATICAL VALUE | | PROFILE CODE | Weight (kg/mt) |
|---------------------------|---------------------------|--------------|----------------|
| Jxx (cm ⁴) | Jyy (cm ⁴) | WT 70 P 1038 | 2,346 kg/mt |
| 91,44 | 18,15 | | |

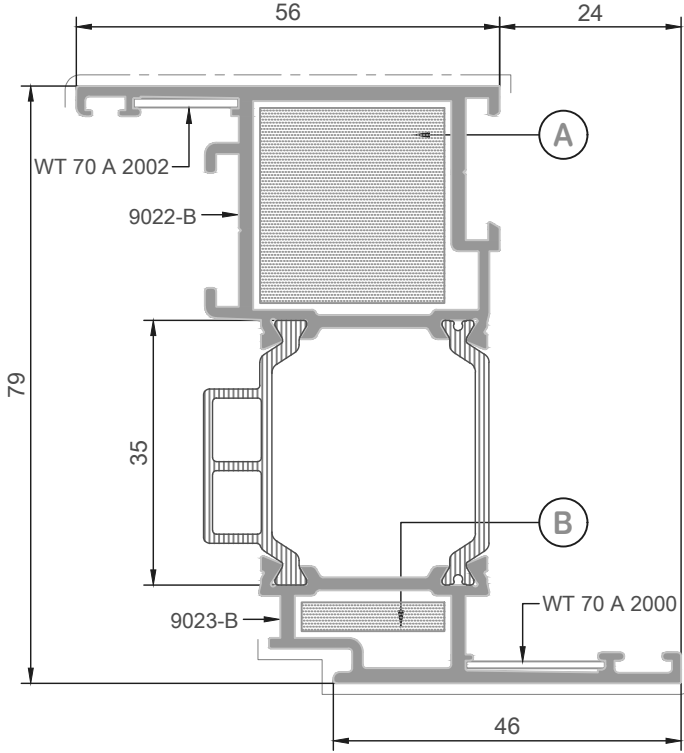
| CORNER CLEATS | A | B |
|---|-------------------------------|-------------------------------|
|  | WT 70 A 2012 Lenght:26,2mm | WT 70 A 2043 Lenght:25,8mm |



2mm THICK PROFILES 2mm KALIN PROFİLLER

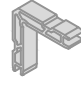
| STATICAL VALUE | | PROFILE CODE | Weight (kg/mt) |
|---------------------------|---------------------------|--------------|----------------|
| Jxx (cm ⁴) | Jyy (cm ⁴) | WT 70 P 1039 | 2,618 kg/mt |
| 132,40 | 25,17 | | |

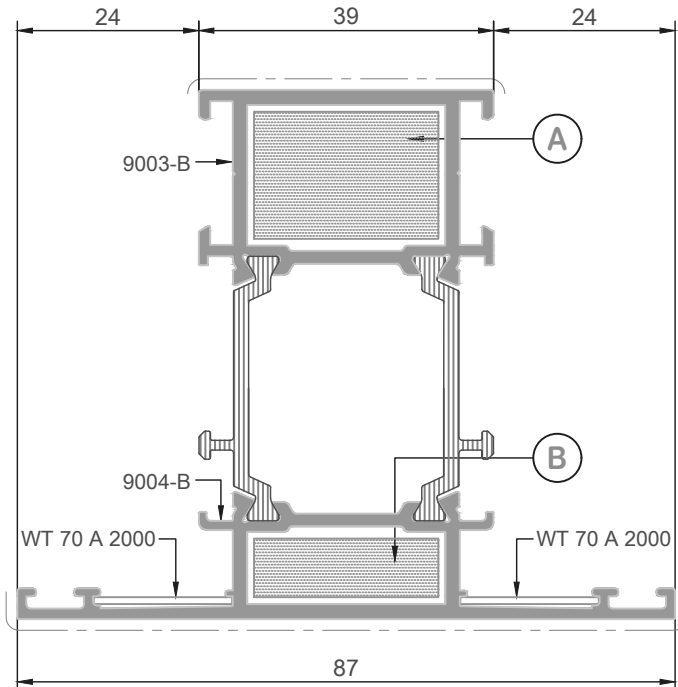
| CORNER CLEATS | (A) | (B) |
|---|-------------------------------|-------------------------------|
|  | WT 70 A 2042 Lenght:25,8mm | WT 70 A 2013 Lenght:26,2mm |



2mm THICK PROFILES 2mm KALIN PROFİLLER

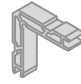

| STATICAL VALUE | | PROFILE CODE | Weight (kg/mt) |
|----------------|-----------|--------------|----------------|
| Jxx (cm4) | Jyy (cm4) | WT 70 P 1040 | 1,766 kg/mt |
| 35,99 | 14,18 | | |

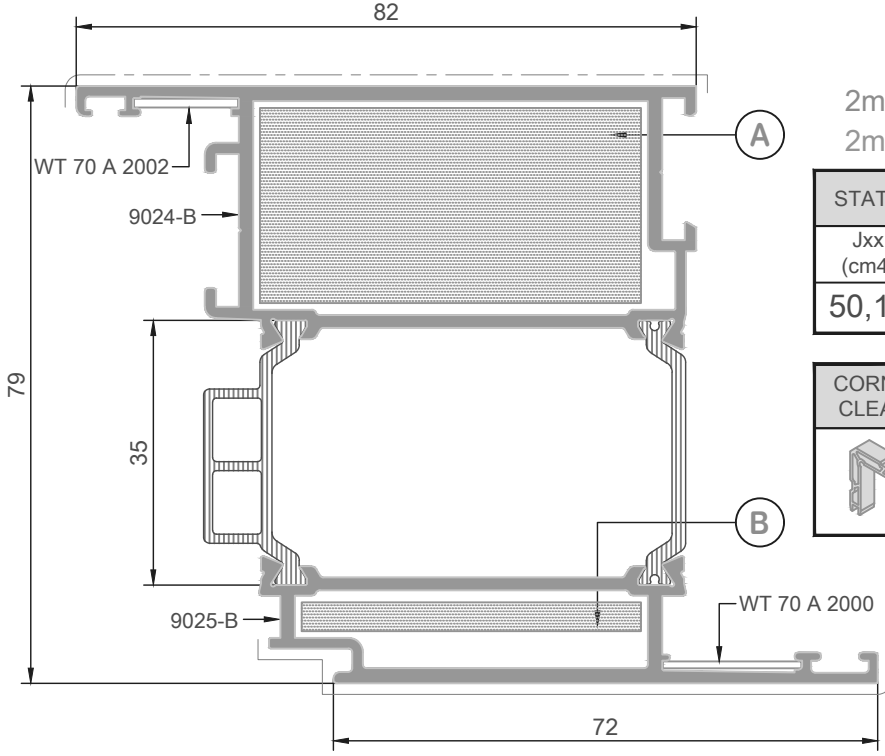
| CORNER CLEATS | A | B |
|---|-------------------------------|------------------------------|
|  | WT 70 A 2054 Lenght:27,2mm | WT 70 A 2055 Lenght:5,2mm |



2mm THICK PROFILES 2mm KALIN PROFİLLER


| STATICAL VALUE | | PROFILE CODE | Weight (kg/mt) |
|----------------|-----------|--------------|----------------|
| Jxx (cm4) | Jyy (cm4) | WT 70 P 1042 | 1,785 kg/mt |
| 29,78 | 16,82 | | |

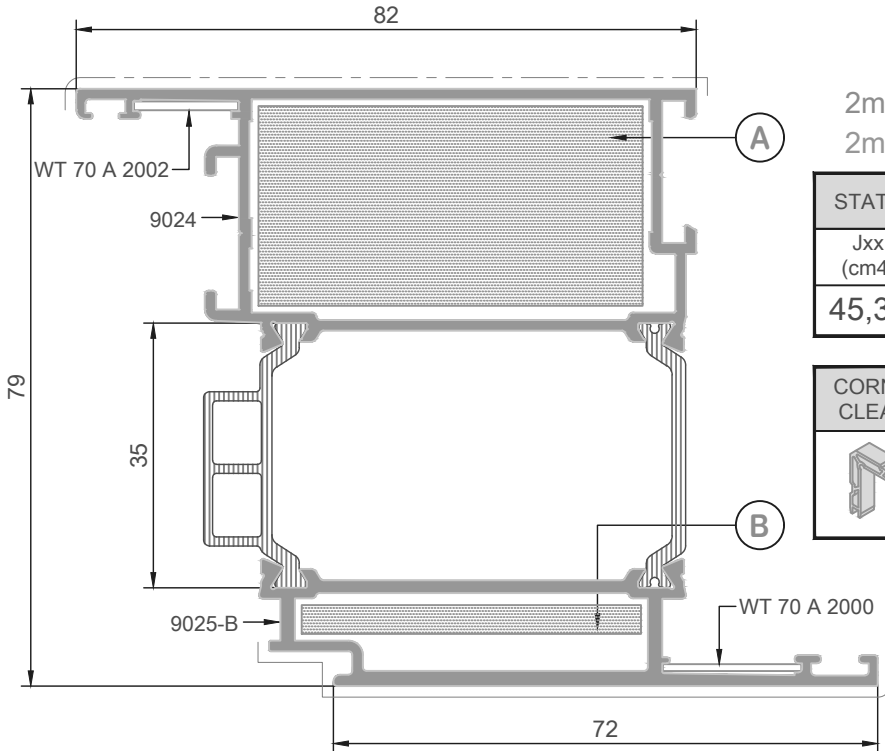
| CORNER CLEATS | A | B |
|---|-------------------------------|-------------------------------|
|  | WT 70 A 2040 Lenght:18,2mm | WT 70 A 2041 Lenght:9,2mm |
|  | WT 70 A 2042 Lenght:25,8mm | WT 70 A 2043 Lenght:25,8mm |



2mm THICK PROFILES
2mm KALIN PROFİLLER


| STATICAL VALUE | | PROFILE CODE | Weight (kg/mt) |
|---------------------------|---------------------------|--------------|----------------|
| Jxx (cm ⁴) | Jyy (cm ⁴) | WT 70 P 1041 | 2,318 kg/mt |
| 50,18 | 42,84 | | |

| CORNER CLEATS | A | B |
|---|-------------------------------|------------------------------|
|  | WT 70 A 2056 Lenght:27,8mm | WT 70 A 2057 Lenght:5,2mm |



2mm THICK PROFILES
2mm KALIN PROFİLLER

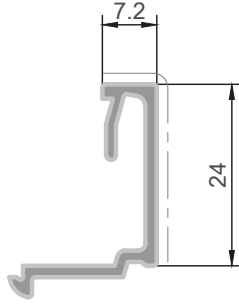
| STATICAL VALUE | | PROFILE CODE | Weight (kg/mt) |
|---------------------------|---------------------------|--------------|----------------|
| Jxx (cm ⁴) | Jyy (cm ⁴) | WT 70 P 1043 | 2,136 kg/mt |
| 45,36 | 40,54 | | |

| CORNER CLEATS | A | B |
|---|-------------------------------|------------------------------|
|  | WT 70 A 2022 Lenght:27,8mm | WT 70 A 2057 Lenght:5,2mm |

GLAZING BEAD PROFILE / CAM ÇİTA PROFİLİ

| PROFILE CODE | Weight (kg/mt) |
|--------------|----------------|
| WT 70 P 1044 | 0,255 kg/mt |

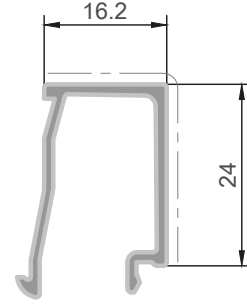
Die number : 9063



GLAZING BEAD PROFILE / CAM ÇİTA PROFİLİ

| PROFILE CODE | Weight (kg/mt) |
|--------------|----------------|
| WT 70 P 1047 | 0,287 kg/mt |

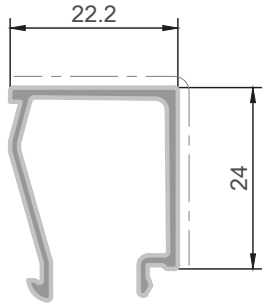
Die number : 9045



GLAZING BEAD PROFILE / CAM ÇİTA PROFİLİ

| PROFILE CODE | Weight (kg/mt) |
|--------------|----------------|
| WT 70 P 1049 | 0,314 kg/mt |

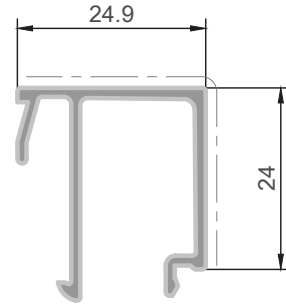
Die number : 9044



GLAZING BEAD PROFILE / CAM ÇİTA PROFİLİ

| PROFILE CODE | Weight (kg/mt) |
|--------------|----------------|
| WT 70 P 1050 | 0,351 kg/mt |

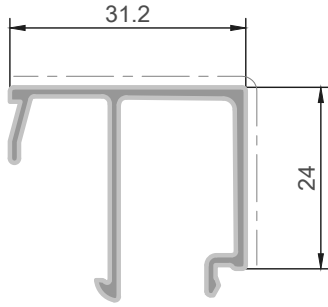
Die number : 9048



GLAZING BEAD PROFILE / CAM ÇİTA PROFİLİ

| PROFILE CODE | Weight (kg/mt) |
|--------------|----------------|
| WT 70 P 1052 | 0,373 kg/mt |

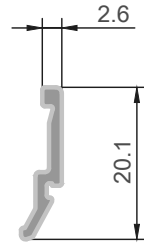
Die number : 9050



GLAZING BEAD PROFILE / CAM ÇİTA PROFİLİ

| PROFILE CODE | Weight (kg/mt) |
|--------------|----------------|
| WT 70 P 1057 | 0,112 kg/mt |

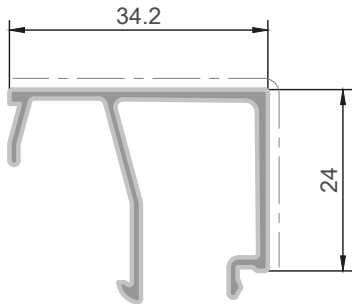
Die number : 10742 (15-3400)



GLAZING BEAD PROFILE / CAM ÇİTA PROFİLİ

| PROFILE CODE | Weight (kg/mt) |
|--------------|----------------|
| WT 70 P 1053 | 0,385 kg/mt |

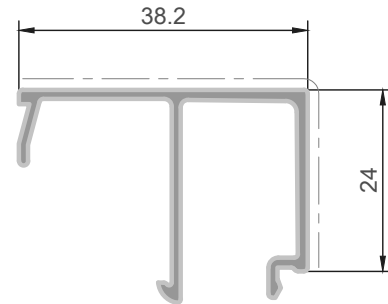
Die number : 9049



GLAZING BEAD PROFILE / CAM ÇİTA PROFİLİ

| PROFILE CODE | Weight (kg/mt) |
|--------------|----------------|
| WT 70 P 1054 | 0,398 kg/mt |

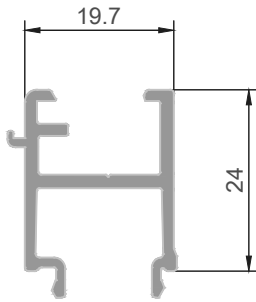
Die number : 9071



GLAZING BEAD PROFILE / CAM ÇİTA PROFİLİ

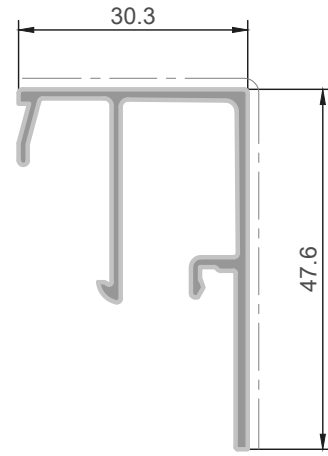
| PROFILE CODE | Weight (kg/mt) |
|--------------|----------------|
| WT 70 P 1058 | 0,404 kg/mt |

Die number : 10743



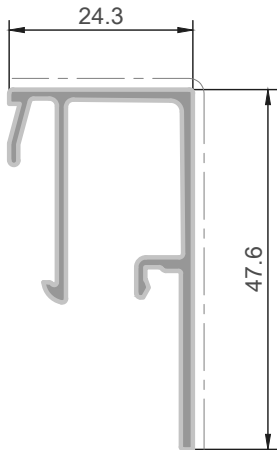
GLAZING BEAD PROFILE / CAM ÇİTA PROFİLİ

| PROFILE CODE | Weight (kg/mt) |
|--------------|----------------|
| WT 70 P 1060 | 0,491 kg/mt |



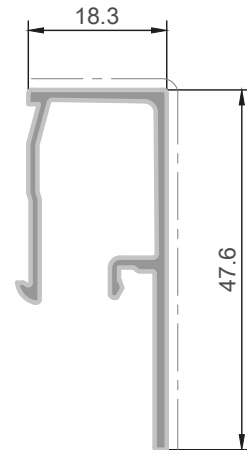
GLAZING BEAD PROFILE / CAM ÇİTA PROFİLİ

| PROFILE CODE | Weight (kg/mt) |
|--------------|----------------|
| WT 70 P 1061 | 0,470 kg/mt |



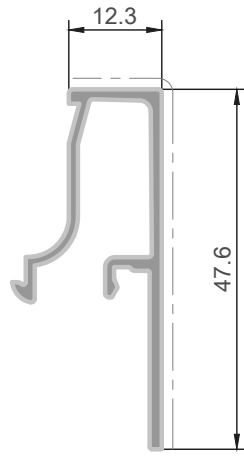
GLAZING BEAD PROFILE / CAM ÇİTA PROFİLİ

| PROFILE CODE | Weight (kg/mt) |
|--------------|----------------|
| WT 70 P 1062 | 0,418 kg/mt |



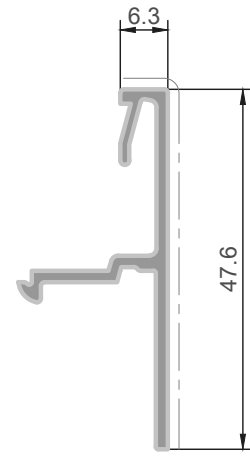
GLAZING BEAD PROFILE / CAM ÇİTA PROFİLİ

| PROFILE CODE | Weight (kg/mt) |
|--------------|----------------|
| WT 70 P 1063 | 0,404 kg/mt |



GLAZING BEAD PROFILE / CAM ÇİTA PROFİLİ

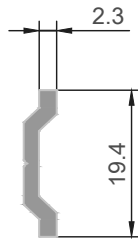
| PROFILE CODE | Weight (kg/mt) |
|--------------|----------------|
| WT 70 P 1064 | 0,362 kg/mt |



ROD PROFILE / TİJ PROFİLİ

| PROFILE CODE | Weight (kg/mt) |
|--------------|----------------|
| WT 70 P 1065 | 0,123 kg/mt |

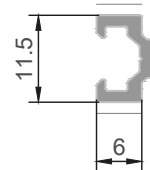
Die number : 877



ADAPTEUR PROFILE / ADAPTÖR PROFİLİ

| PROFILE CODE | Weight (kg/mt) |
|--------------|----------------|
| WT 70 P 1068 | 0,110 kg/mt |

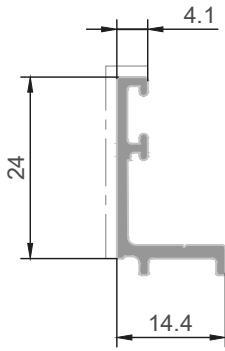
Die number : K894



ADAPTER PROFILE / ADAPTÖR PROFİLİ

| PROFILE CODE | Weight (kg/mt) |
|--------------|----------------|
| WT 70 P 1071 | 0,210 kg/mt |

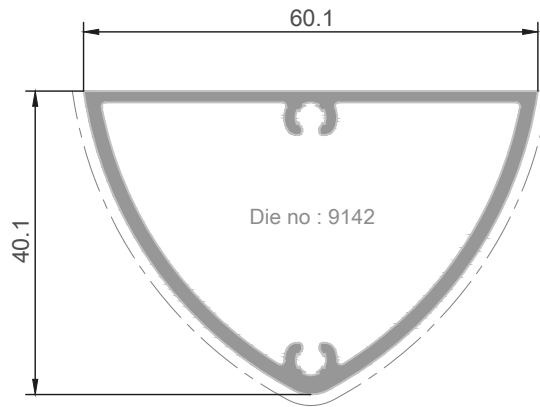
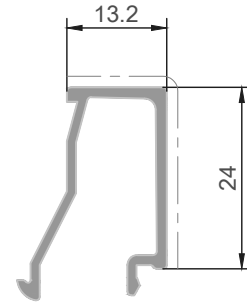
Die number : 9138



GLAZING BEAD PROFILE / CAM ÇİTA PROFİLİ

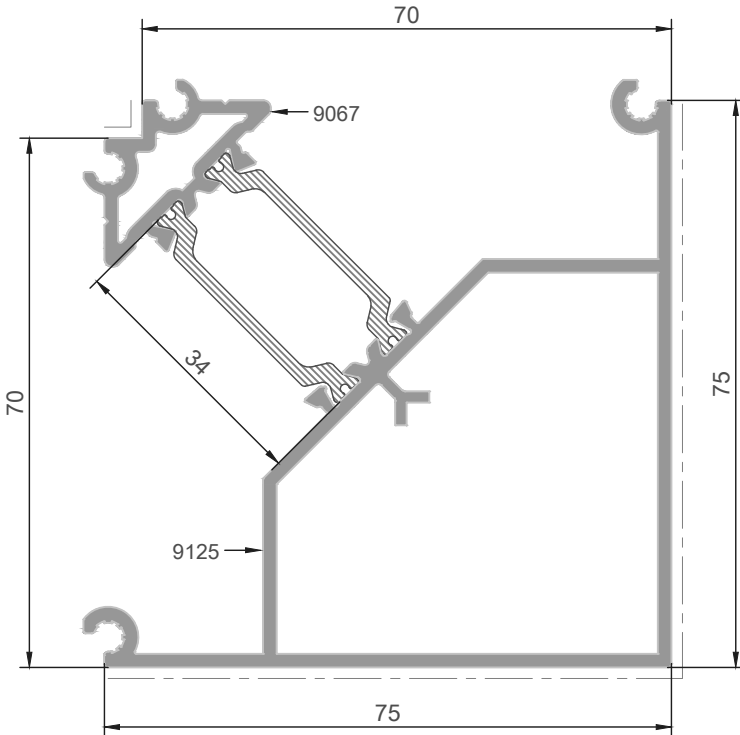
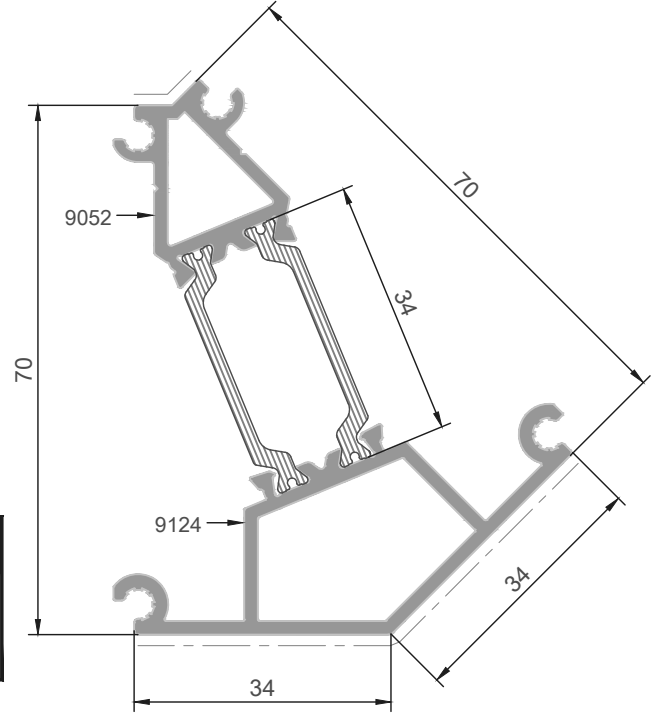
| PROFILE CODE | Weight (kg/mt) |
|--------------|----------------|
| WT 70 P 1100 | 0,279 kg/mt |

Die number : 9046

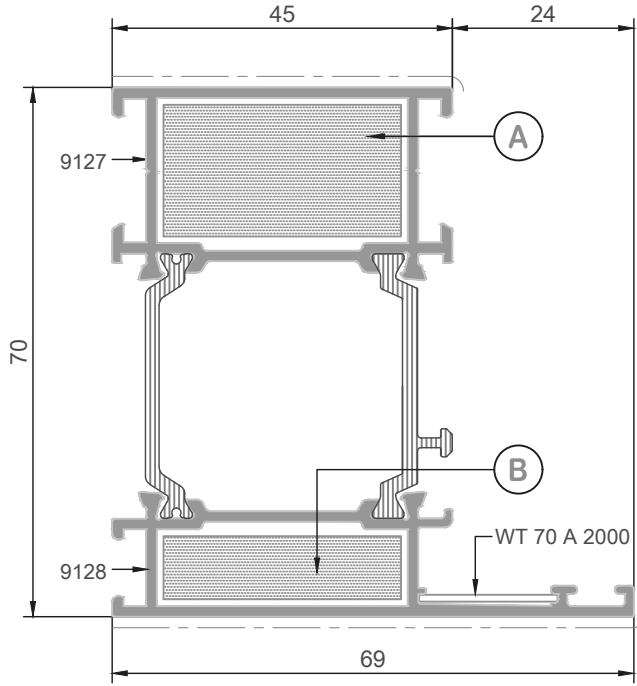


| STATICAL VALUE | | PROFILE CODE | Weight (kg/mt) |
|---------------------------|---------------------------|--------------|----------------|
| Jxx (cm ⁴) | Jyy (cm ⁴) | WT 70 P 1096 | 0,916 kg/mt |
| 6,12 | 9,74 | | |


| STATICAL VALUE | | PROFILE CODE | Weight (kg/mt) |
|---------------------------|---------------------------|--------------|----------------|
| Jxx (cm ⁴) | Jyy (cm ⁴) | WT 70 P 1094 | 1,484 kg/mt |
| 20,05 | 11,82 | | |

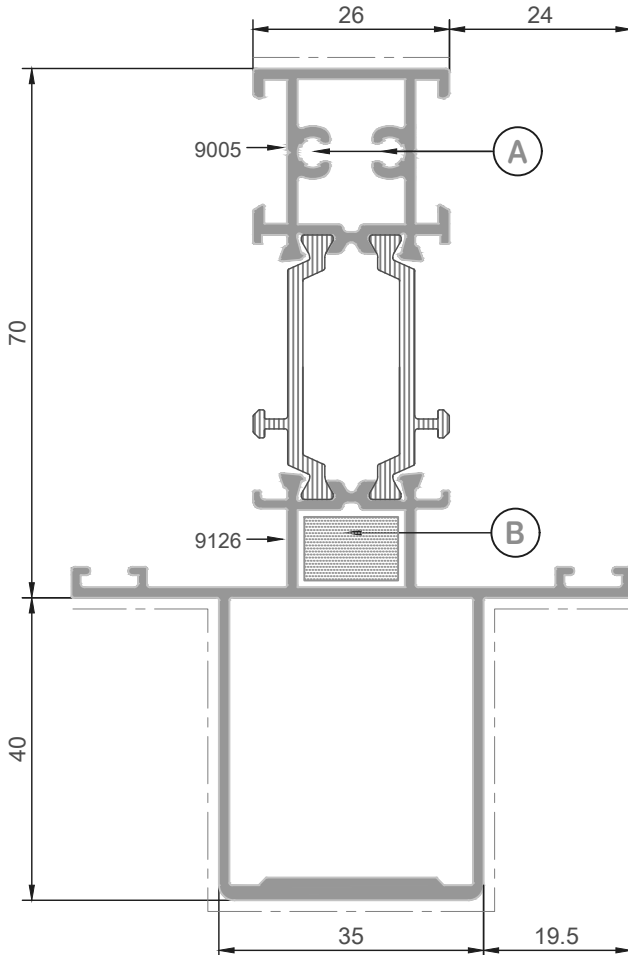


| STATICAL VALUE | | PROFILE CODE | Weight (kg/mt) |
|---------------------------|---------------------------|--------------|----------------|
| Jxx (cm ⁴) | Jyy (cm ⁴) | WT 70 P 1093 | 2,122 kg/mt |
| 35,83 | 47,78 | | |




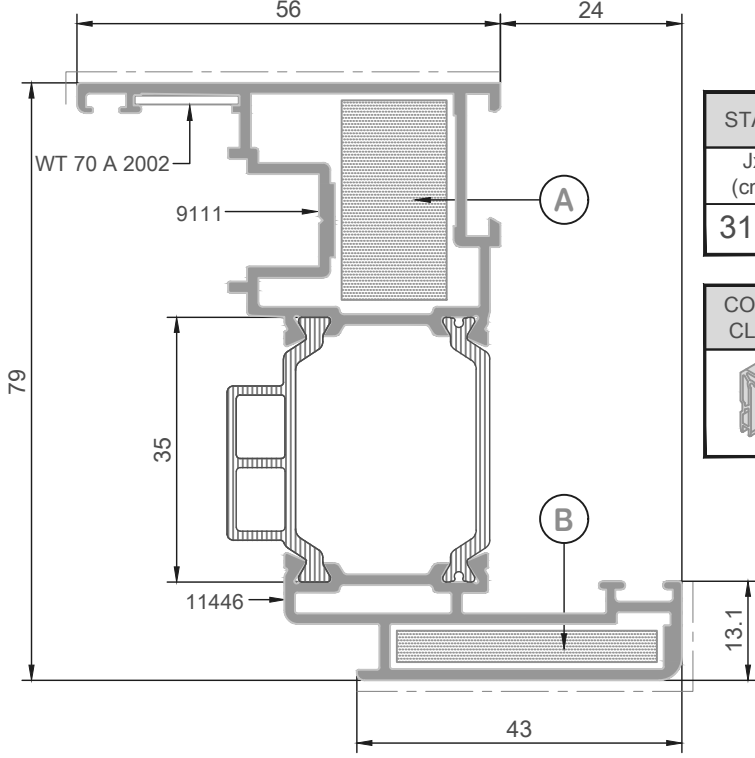
| STATICAL VALUE | | PROFILE CODE | Weight (kg/mt) |
|----------------|-----------|--------------|----------------|
| Jxx (cm4) | Jyy (cm4) | WT 70 P 1101 | 1,532 kg/mt |
| 24,26 | 14,42 | | |

| CORNER CLEATS | A | B |
|---|-------------------------------|------------------------------|
|  | WT 70 A 2082 Lenght:18,8mm | WT 70 A 2083 Lenght:9,8mm |




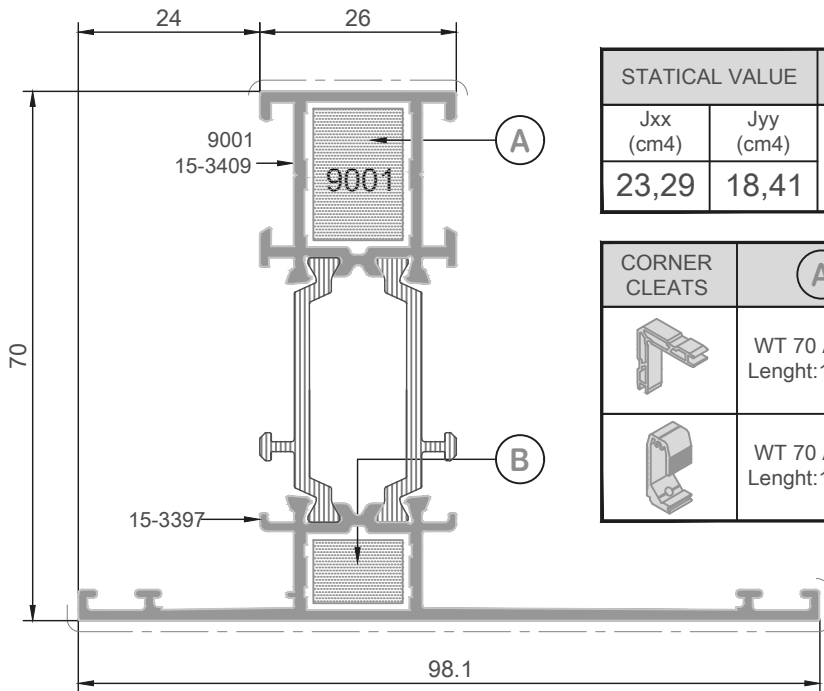
| STATICAL VALUE | | PROFILE CODE | Weight (kg/mt) |
|----------------|-----------|--------------|----------------|
| Jxx (cm4) | Jyy (cm4) | WT 70 P 1102 | 2,001 kg/mt |
| 59,88 | 12,35 | | |

| CORNER CLEATS | A | B |
|---|-----------------------|-------------------------------|
|  | 2x3,9mm İNOX SCREW | WT 70 A 2011 Lenght:13,2mm |





| STATICAL VALUE | | PROFILE CODE | Weight (kg/mt) |
|------------------------|------------------------|--------------|----------------|
| Jxx (cm ⁴) | Jyy (cm ⁴) | WT 70 P 1103 | 1,600 kg/mt |
| 31,79 | 13,57 | | |

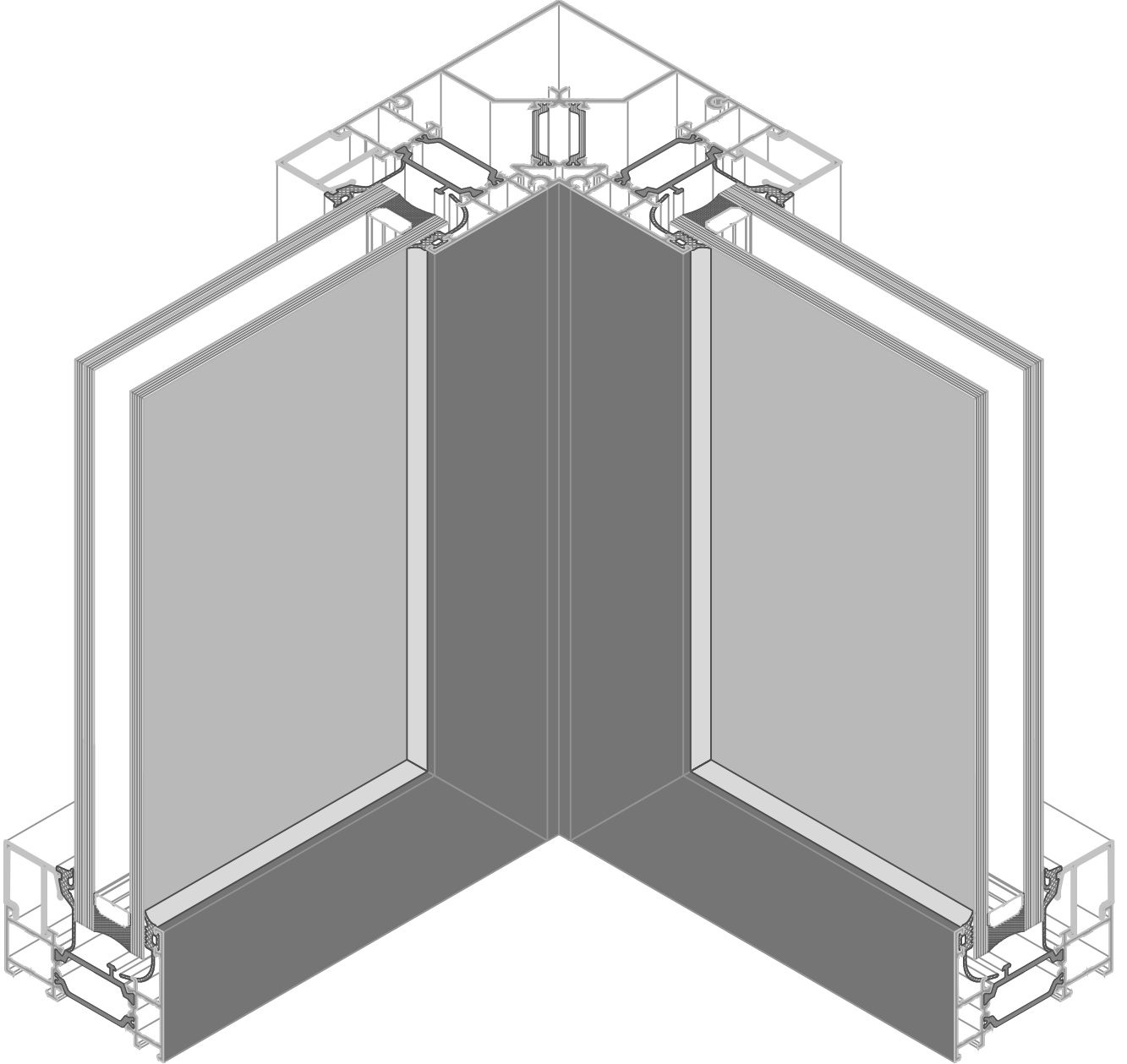
| CORNER CLEATS | A | B |
|---|-------------------------------|------------------------------|
|  | WT 70 A 2024 Lenght:27,8mm | WT 70 A 2084 Lenght:5,5mm |

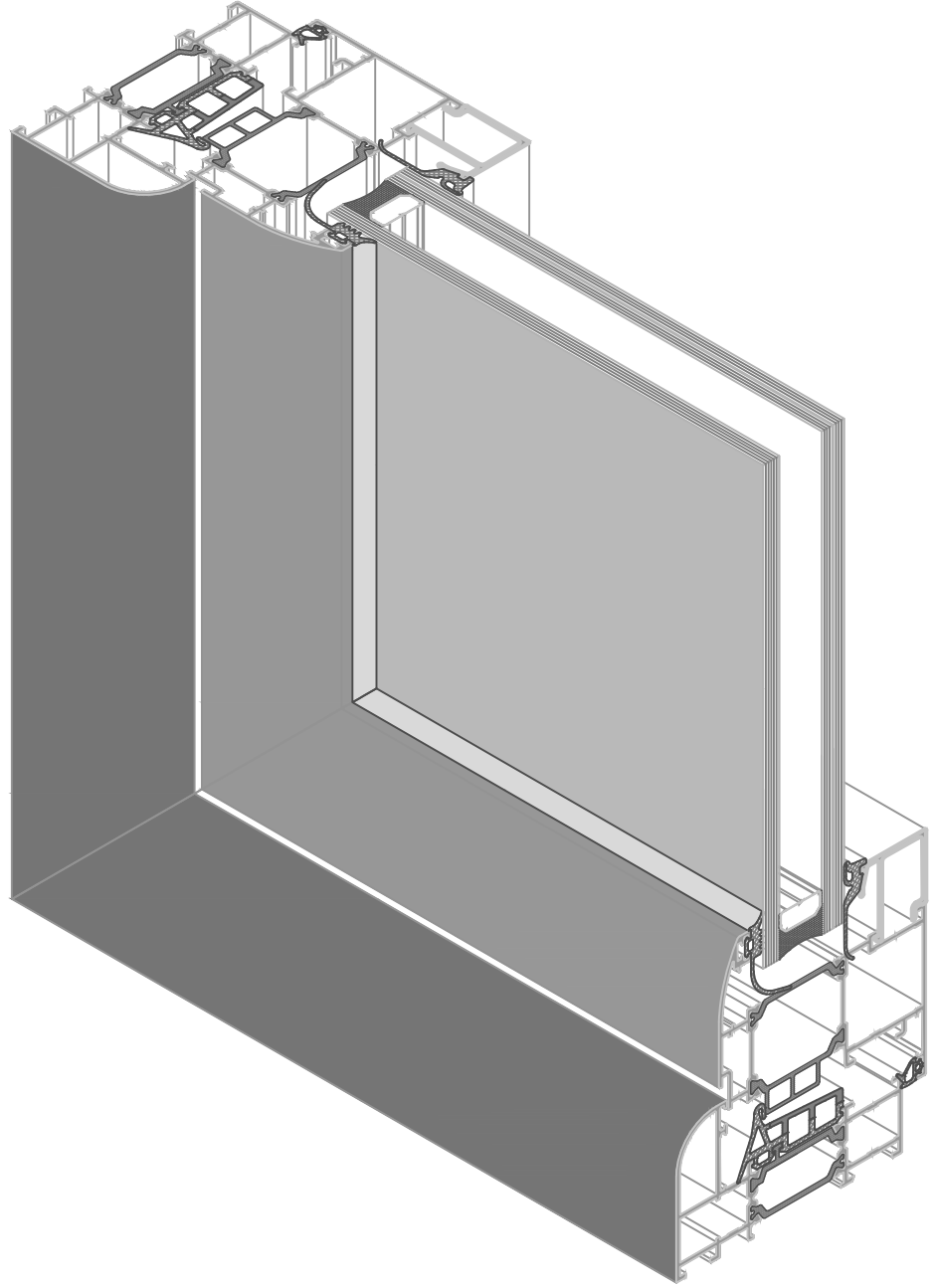


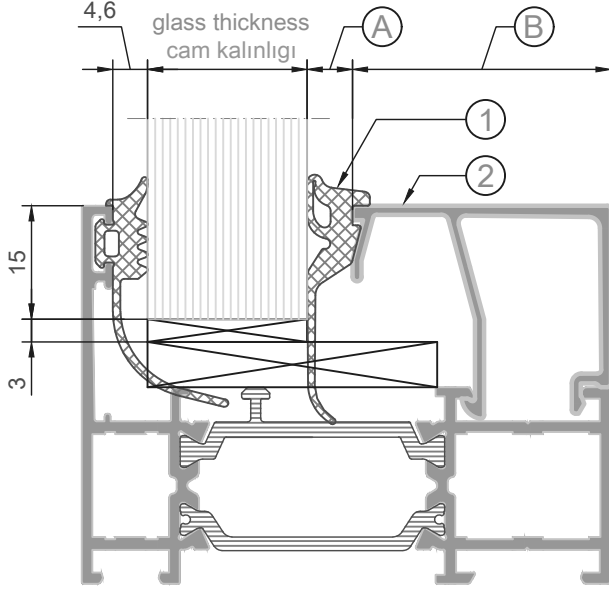
| STATICAL VALUE | | PROFILE CODE | Weight (kg/mt) |
|------------------------|------------------------|--------------|----------------|
| Jxx (cm ⁴) | Jyy (cm ⁴) | WT 70 P 1105 | 1,420 kg/mt |
| 23,29 | 18,41 | | |

| CORNER CLEATS | A | B |
|---|-------------------------------|-------------------------------|
|  | WT 70 A 2004 Lenght:18,8mm | WT 70 A 2005 Lenght:9,8mm |
|  | WT 70 A 2010 Lenght:13,2mm | WT 70 A 2080 Lenght:13,2mm |

WT 70 WINDOWS and
DOORS SYSTEM
GLASS and GLAZING BEAD
DIAGRAMS



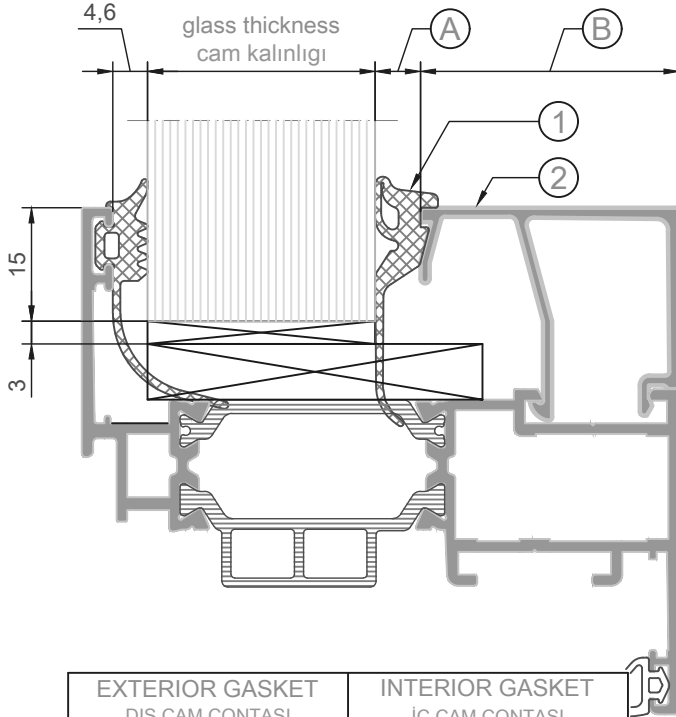




| EXTERIOR GASKET DIŞ CAM CONTASI | | INTERIOR GASKET İÇ CAM CONTASI | |
|------------------------------------|----------------|---|----------------|
| WT70 G 3008 | WT70 G 3000 | WT70 G 3001 | WT70 G 3004 |
| | | | |
| | | Gap :6-7mm boşluk : 6-7mm | |
| INTERIOR GASKET İÇ CAM CONTASI | | INTERIOR GASKET İÇ CAM CONTASI | |
| WT70 G 3003 | WT70 G 3006 | WT70 G 3002 | WT70 G 3005 |
| | | | |
| Gap :8-9mm boşluk : 8-9mm | | Gap :10mm boşluk : 10mm | |
| Gap :4mm boşluk : 4mm | | INTERIOR GASKET İÇ CAM CONTASI WT70 G 3020 | |

| GLASS THICKNESS CAM KALINLIĞI | GASKET CONTA | | GLAZING BEAD CAM ÇITASI | |
|-------------------------------------|-----------------|----------------|----------------------------|----------------|
| | GAP BOŞLUK | CODE KOD | LENGTH ÖLÇÜ | CODE KOD |
| | (A) | (1) | (B) | (2) |
| 20mm | 10mm | WT70 G 3006 | 31,2mm | WT70 P 1052 |
| 22mm | 8mm | WT70 G 3005 | 31,2mm | WT70 P 1052 |
| 24mm | 6mm | WT70 G 3004 | 31,2mm | WT70 P 1052 |
| 26mm | 4mm | WT70 G 3020 | 31,2mm | WT70 P 1052 |
| 28mm | 8mm | WT70 G 3005 | 24,9mm | WT70 P 1050 |
| 30mm | 6mm | WT70 G 3004 | 24,9mm | WT70 P 1050 |
| 32mm | 8mm | WT70 G 3005 | 22,2mm | WT70 P 1049 |
| 34mm | 6mm | WT70 G 3004 | 22,2mm | WT70 P 1049 |
| 36mm | 10mm | WT70 G 3006 | 16,2mm | WT70 P 1047 |
| 38mm | 8mm | WT70 G 3005 | 16,2mm | WT70 P 1047 |
| 40mm | 8mm | WT70 G 3005 | 13,2mm | WT70 P 1100 |
| 42mm | 6mm | WT70 G 3004 | 13,2mm | WT70 P 1100 |
| 44mm | 4mm | WT70 G 3020 | 13,2mm | WT70 P 1100 |
| 46mm | 8mm | WT70 G 3005 | 7,2mm | WT70 P 1044 |
| 48mm | 6mm | WT70 G 3004 | 7,2mm | WT70 P 1044 |
| 50mm | 4mm | WT70 G 3020 | 7,2mm | WT70 P 1044 |

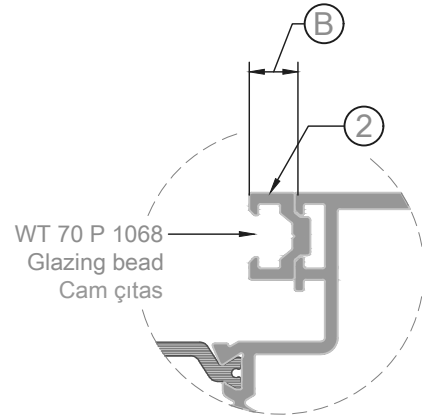
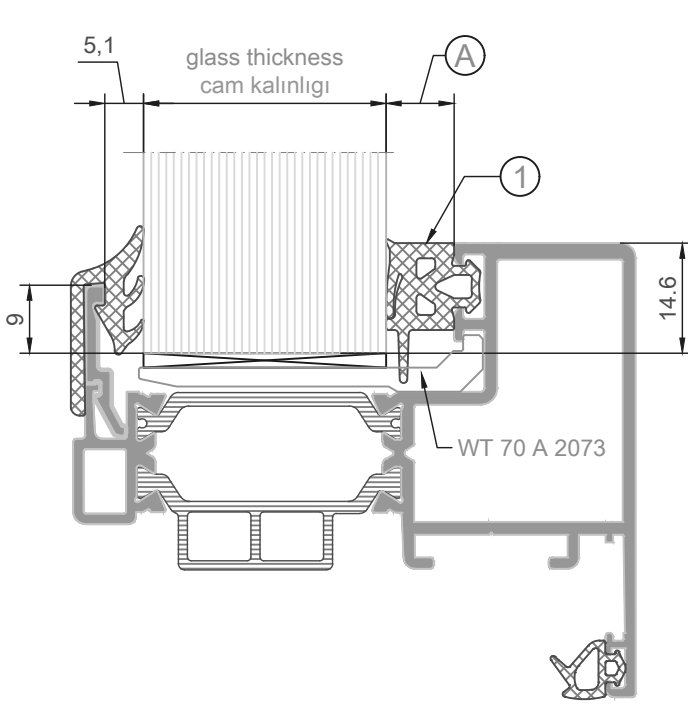
selection tables promise a first planning.
Please keep the glass and gasket tolerances in mind.
Yukarıda tablodaki veriler teoriktir.
Lütfen cam ve conta toleranslarını dikkate alınız.



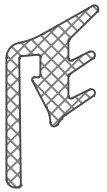



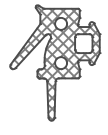


| EXTERIOR GASKET DIŞ CAM CONTASI | | INTERIOR GASKET İÇ CAM CONTASI | |
|------------------------------------|----------------|---|----------------|
| WT70 G 3004 | WT70 G 3000 | WT70 G 3001 | WT70 G 3004 |
| | | | |
| Gap :6-7mm boşluk : 6-7mm | | | |
| INTERIOR GASKET İÇ CAM CONTASI | | INTERIOR GASKET İÇ CAM CONTASI | |
| WT70 G 3003 | WT70 G 3006 | WT70 G 3002 | WT70 G 3005 |
| | | | |
| Gap :8-9mm boşluk : 8-9mm | | Gap :10mm boşluk : 10mm | |
| Gap :4mm boşluk : 4mm | | INTERIOR GASKET İÇ CAM CONTASI WT70 G 3020 | |

selection tables promise a first planning.
Please keep the glass and gasket tolerances in mind.
Yukarıda tablodaki veriler teoriktir.
Lütfen cam ve conta toleranslarını dikkate alınız.

| GLASS THICKNESS CAM KALINLIĞI | GASKET CONTA | | GLAZING BEAD CAM ÇITASI | |
|-------------------------------------|-----------------|----------------|----------------------------|----------------|
| | GAP BOŞLUK | CODE KOD | LENGTH ÖLÇÜ | CODE KOD |
| | (A) | (1) | (B) | (2) |
| 22mm | 10mm | WT70 G 3006 | 38,2mm | WT70 P 1054 |
| 24mm | 8mm | WT70 G 3005 | 38,2mm | WT70 P 1054 |
| 26mm | 6mm | WT70 G 3004 | 38,2mm | WT70 P 1054 |
| 28mm | 8mm | WT70 G 3005 | 34,2mm | WT70 P 1053 |
| 30mm | 6mm | WT70 G 3004 | 34,2mm | WT70 P 1053 |
| 32mm | 4mm | WT70 G 3020 | 34,2mm | WT70 P 1053 |
| 34mm | 6mm | WT70 G 3004 | 31,2mm | WT70 P 1052 |
| 36mm | 10mm | WT70 G 3006 | 24,9mm | WT70 P 1050 |
| 38mm | 8mm | WT70 G 3005 | 24,9mm | WT70 P 1050 |
| 40mm | 6mm | WT70 G 3004 | 24,9mm | WT70 P 1050 |
| 42mm | 6mm | WT70 G 3004 | 22,2mm | WT70 P 1049 |
| 44mm | 4mm | WT70 G 3020 | 22,2mm | WT70 P 1049 |
| 46mm | 8mm | WT70 G 3005 | 16,2mm | WT70 P 1047 |
| 48mm | 6mm | WT70 G 3004 | 16,2mm | WT70 P 1047 |
| 50mm | 4mm | WT70 G 3020 | 16,2mm | WT70 P 1047 |
| 52mm | 6mm | WT70 G 3004 | 13,2mm | WT70 P 1100 |
| 54mm | 10mm | WT70 G 3006 | 7,2mm | WT70 P 1044 |
| 56mm | 8mm | WT70 G 3005 | 7,2mm | WT70 P 1044 |
| 58mm | 6mm | WT70 G 3004 | 7,2mm | WT70 P 1044 |

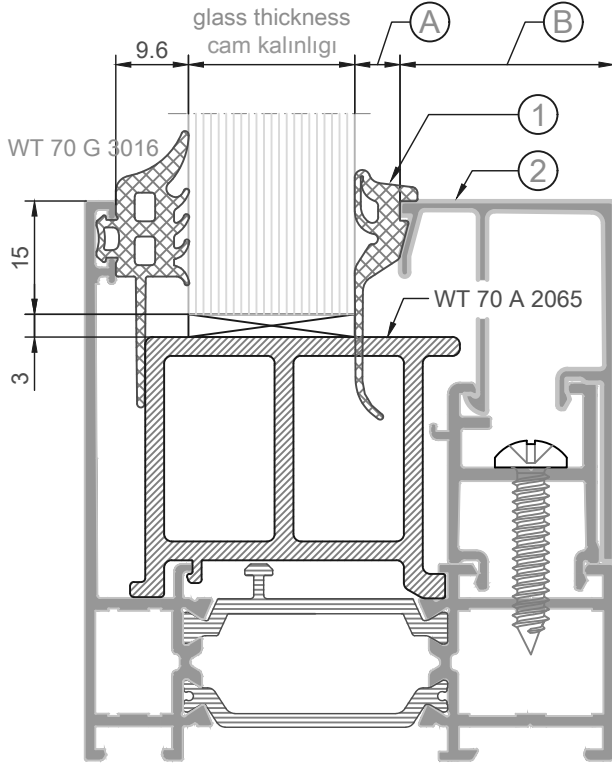


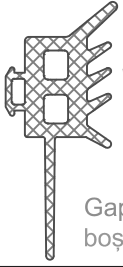
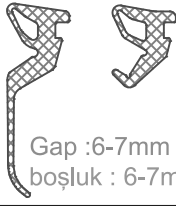
* WHEN REQUESTED
22-24-26mm GLASS THICKNESS
TO USE WT70 P 1068 PROFILE
22-24-26mm CAM YAPILMASI DURUMUNDA
WT70 P 1068 ÇITA PROFİLİ KULLANILMALIDIR

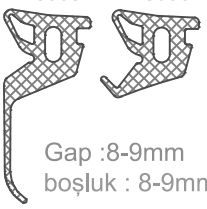
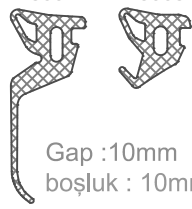
| EXTERIOR GASKET DIŞ CAM CONTASI | INTERIOR GASKET İÇ CAM CONTASI |
|--|--|
|  <p>WT70 G 3015</p> <p>Gap : 5mm boşluk : 5mm</p> |  <p>WT70 G 3013</p> <p>Gap : 13mm boşluk : 13mm</p> |
| |  <p>WT70 G 3011</p> <p>Gap : 11mm boşluk : 11mm</p> |
| |  <p>WT70 G 3019</p> <p>Gap : 9mm boşluk : 9mm</p> |
| |  <p>WT70 G 3014</p> <p>Gap : 7mm boşluk : 7mm</p> |
| |  <p>WT70 G 3012</p> <p>Gap : 5mm boşluk : 5mm</p> |
| |  <p>WT70 G 3010</p> <p>Gap : 3mm boşluk : 3mm</p> |

| GLASS THICKNESS CAM KALINLIĞI | GASKET CONTA | | GLAZING BEAD CAM ÇITASI | |
|-------------------------------------|-----------------|----------------|----------------------------|----------------|
| | GAP BOŞLUK | CODE KOD | LENGTH ÖLÇÜ | CODE KOD |
| | (A) | (1) | (B) | (2) |
| * 22mm | 13mm | WT70 G 3013 | 6mm | WT70 P 1068 |
| * 24mm | 11mm | WT70 G 3011 | 6mm | WT70 P 1068 |
| * 26mm | 9mm | WT70 G 3009 | 6mm | WT70 P 1068 |
| 28mm | 13mm | WT70 G 3013 | | |
| 30mm | 11mm | WT70 G 3011 | | |
| 32mm | 9mm | WT70 G 3009 | | |
| 34mm | 7mm | WT70 G 3014 | | |
| 36mm | 5mm | WT70 G 3012 | | |
| 38mm | 3mm | WT70 G 3010 | | |

selection tables promise a first planning.
Please keep the glass and gasket tolerances in mind.
Yukarıda tablodaki veriler teoriktir.
Lütfen cam ve conta toleranslarını dikkate alınız.



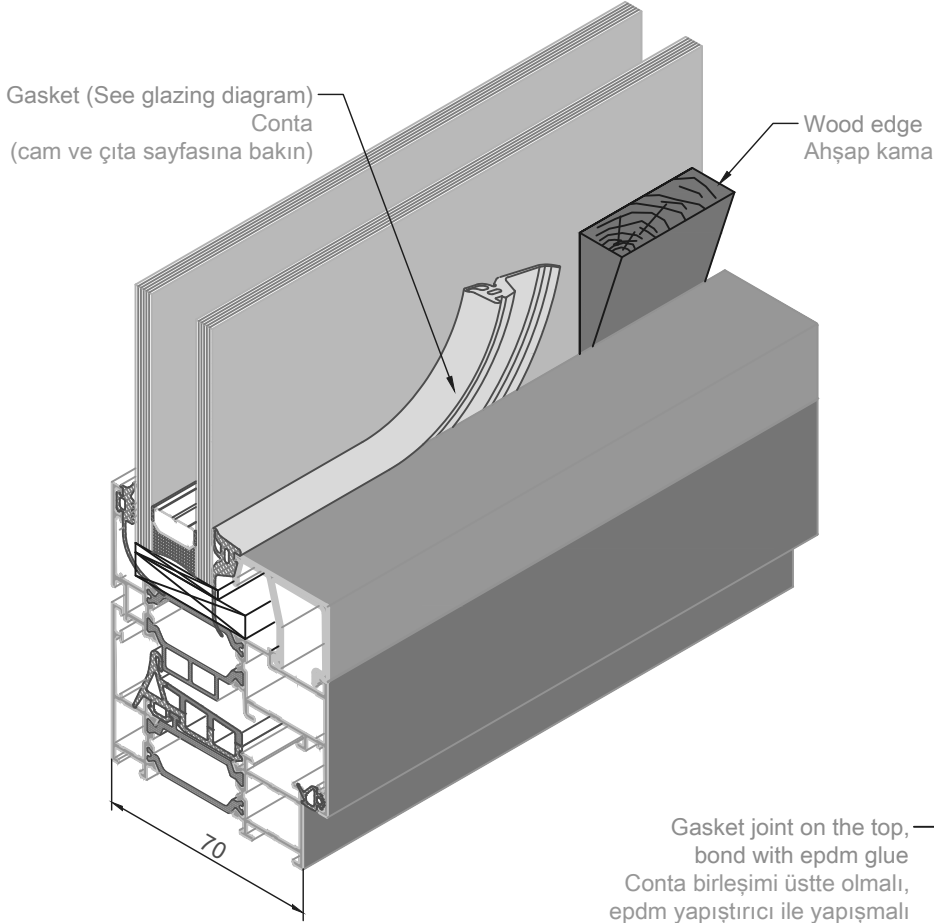
| EXTERIOR GASKET DIŞ CAM CONTASI | INTERIOR GASKET İÇ CAM CONTASI |
|--|--|
|  <p>WT 70 G 3016</p> <p>Gap :10mm boşluk : 10mm</p> |  <p>WT 70 G 3001 WT 70 G 3004</p> <p>Gap :6-7mm boşluk : 6-7mm</p> |

| INTERIOR GASKET İÇ CAM CONTASI | INTERIOR GASKET İÇ CAM CONTASI |
|--|--|
|  <p>WT 70 G 3003 WT 70 G 3006</p> <p>Gap :8-9mm boşluk : 8-9mm</p> |  <p>WT 70 G 3002 WT 70 G 3005</p> <p>Gap :10mm boşluk : 10mm</p> |

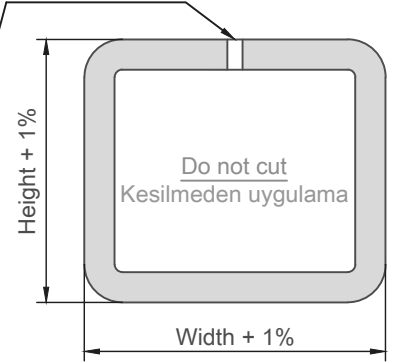
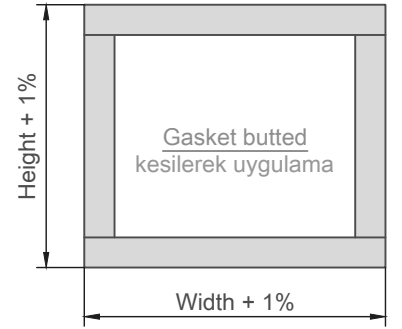
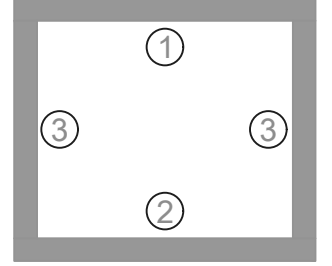
| INTERIOR GASKET İÇ CAM CONTASI |
|--|
|  <p>WT 70 G 3020</p> <p>Gap :4mm boşluk : 4mm</p> |

| GLASS THICKNESS CAM KALINLIĞI | GASKET CONTA | | GLAZING BEAD CAM ÇITASI | |
|-------------------------------------|-----------------|----------------|----------------------------|----------------|
| | GAP BOŞLUK | CODE KOD | LENGTH ÖLÇÜ | CODE KOD |
| | (A) | (1) | (B) | (2) |
| 20mm | 6mm | WT70 G 3004 | 30,3mm | WT70 P 1060 |
| 22mm | 4mm | WT70 G 3020 | 30,3mm | WT70 P 1060 |
| 24mm | 8mm | WT70 G 3005 | 24,3mm | WT70 P 1061 |
| 26mm | 6mm | WT70 G 3004 | 24,3mm | WT70 P 1061 |
| 28mm | 4mm | WT70 G 3020 | 24,3mm | WT70 P 1061 |
| 30mm | 8mm | WT70 G 3005 | 18,3mm | WT70 P 1062 |
| 32mm | 6mm | WT70 G 3004 | 18,3mm | WT70 P 1062 |
| 34mm | 4mm | WT70 G 3020 | 18,3mm | WT70 P 1062 |
| 36mm | 8mm | WT70 G 3005 | 12,3mm | WT70 P 1063 |
| 38mm | 6mm | WT70 G 3004 | 12,3mm | WT70 P 1063 |
| 40mm | 4mm | WT70 G 3020 | 12,3mm | WT70 P 1063 |
| 42mm | 8mm | WT70 G 3005 | 6,3mm | WT70 P 1064 |
| 44mm | 6mm | WT70 G 3004 | 6,3mm | WT70 P 1064 |
| 46mm | 4mm | WT70 G 3020 | 6,3mm | WT70 P 1064 |

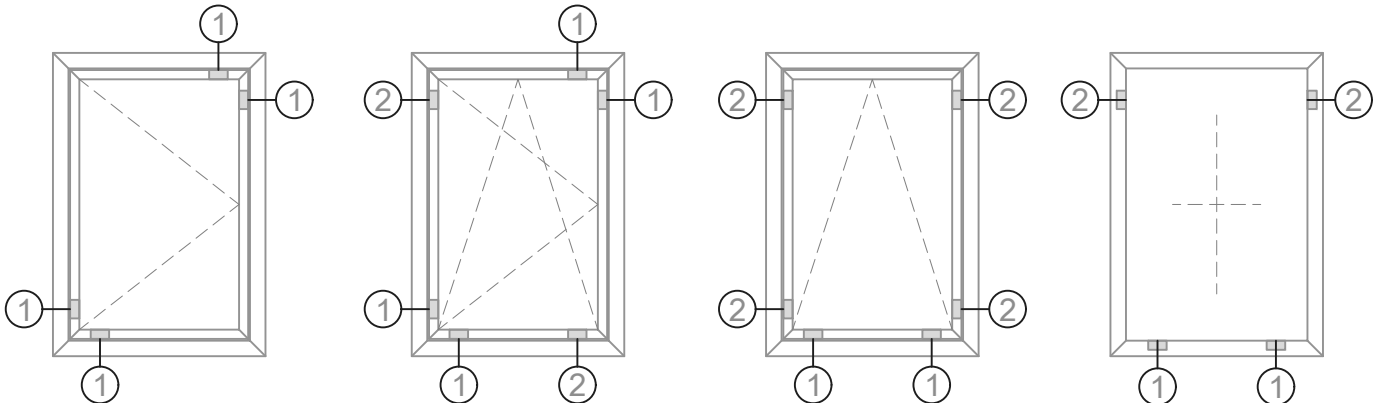
selection tables promise a first planning.
Please keep the glass and gasket tolerances in mind.
Yukarıda tablodaki veriler teoriktir.
Lütfen cam ve conta toleranslarını dikkate alınız.



Glazing bead assembly sequence Cam çıtası montaj sıralaması



- ① GLASS CLEATS-The assembly of glass reinforcement pieces has been showed at the top schematically.The gap distance to the corner should be, the 5/1 or 10/1 of the sash size.
CAM TAKOZU-cam takozlari yerlesimi üstte bulunan sematik çizimde gösterilmiştir. takozların kenara mesafeleri kanat ölçüsünün 5/1 i yada 10/1 i kadar olmalıdır.
- ② DISTANCE ADJUSTMENT PIECE-Distance adjustment pieces stabilize the glass in the frame at the true position.Put the distance adjustment piece between glass and profile without using force.
MESAFE AYARLAMA TAKOZU-mesafe ayar takozlari camin alüminyum çerçeve içinde doğru pozisyonda stabil olarak durmasını sağlar.cam ile profil arasına takozlari zorlamadan yerleştiriniz.



The pane must be shimmed in the sash so that the sash operates without adjustment of the hardware
Donanım ayarı olmadan önce kanat takozlama işlemi yapılmalıdır.

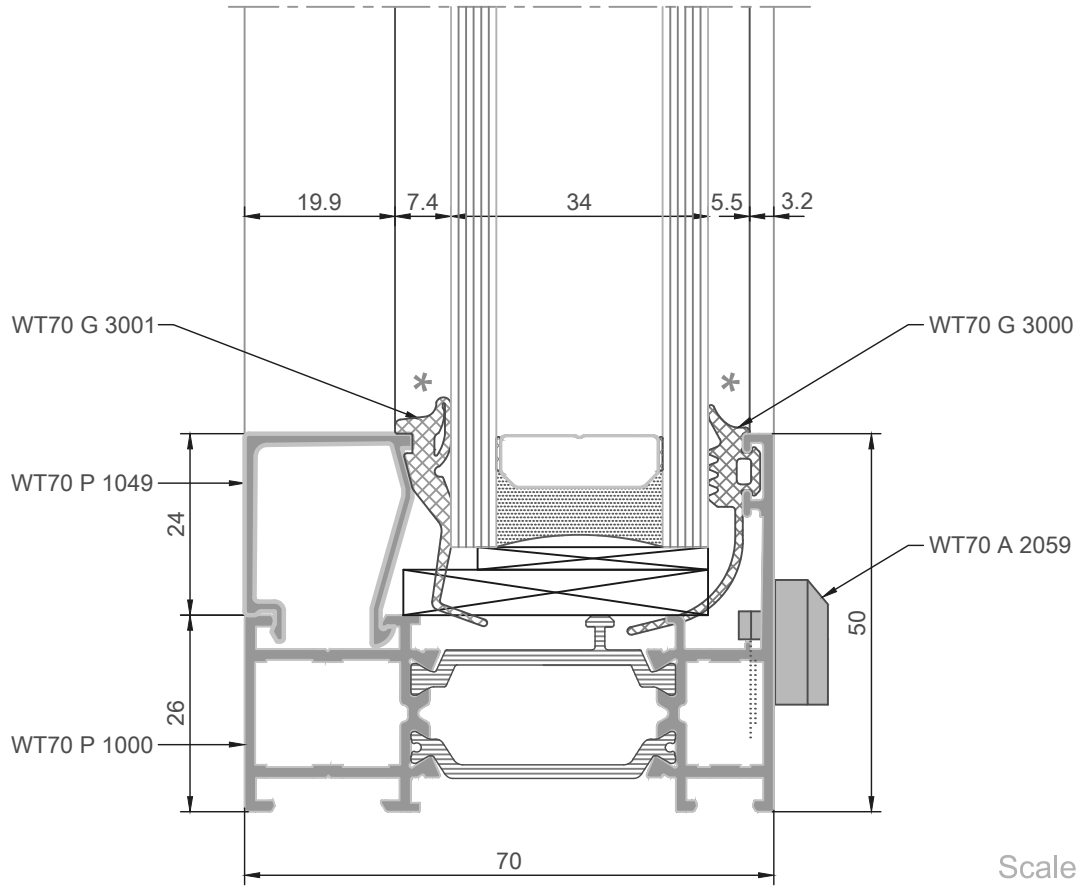
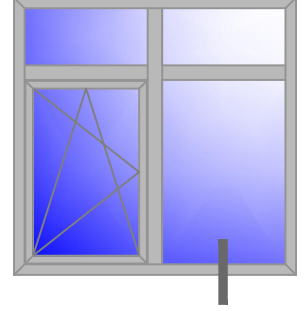
- | | |
|-------------------------------------|-------------------------------|
| ① Supporting shim Taşıyıcı takoz | ② Distance shim Ayar takoz |
|-------------------------------------|-------------------------------|

Sipariş miktarı minimum 300 kg dir. / Minimum order quantity 300 kg
Uyarı: Profil ağırlıklarımız teorik olup ; teslim anındaki tartımız geçerlidir. / Warning: The weights of profile is theoretical, weighting at the time of delivery are valid

WT 70 WINDOWS and
DOORS SYSTEM
SERIES DETAILS

* see glazing beads table

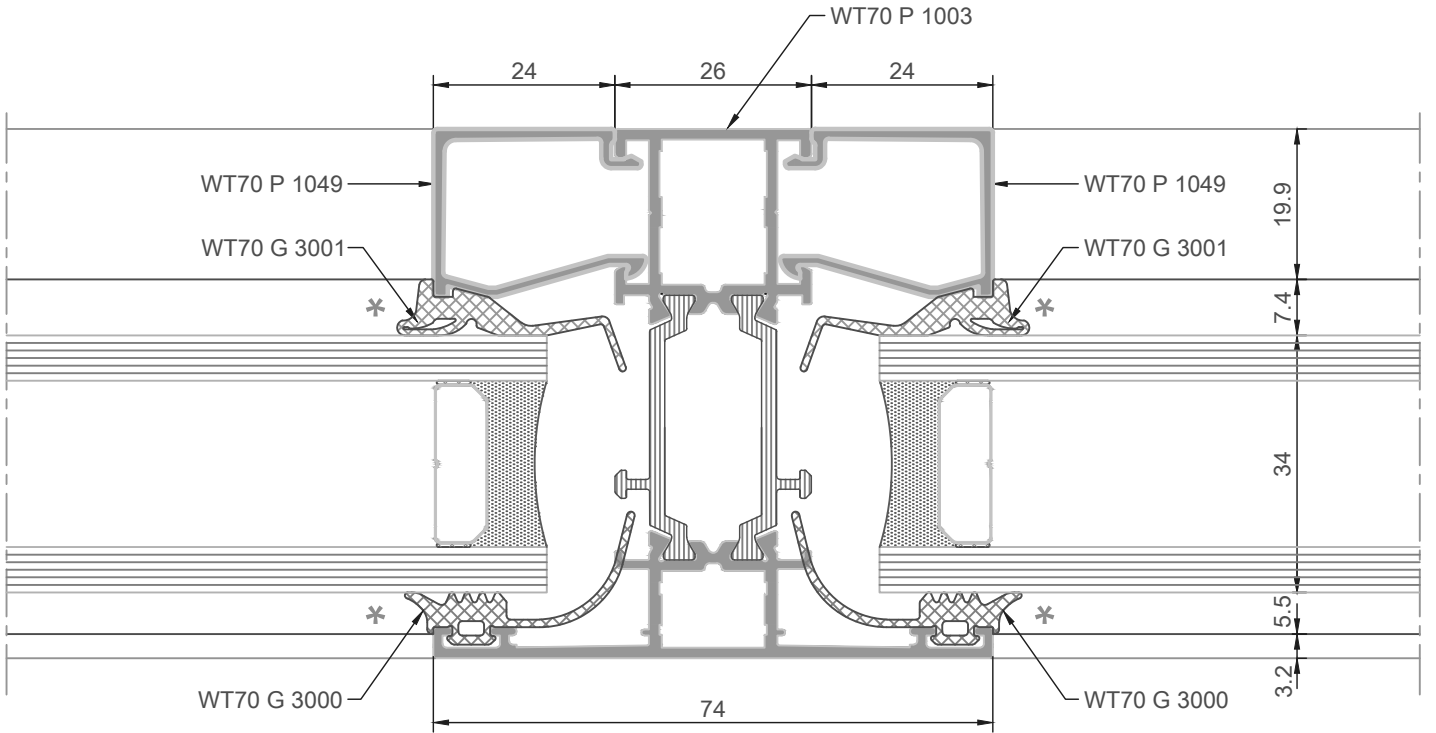
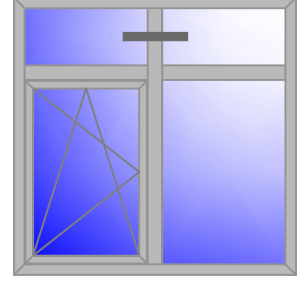
*cam kombinasyon sayfasına bakınız.



Scale 1:1
Ölçek 1:1

* see glazing beads table

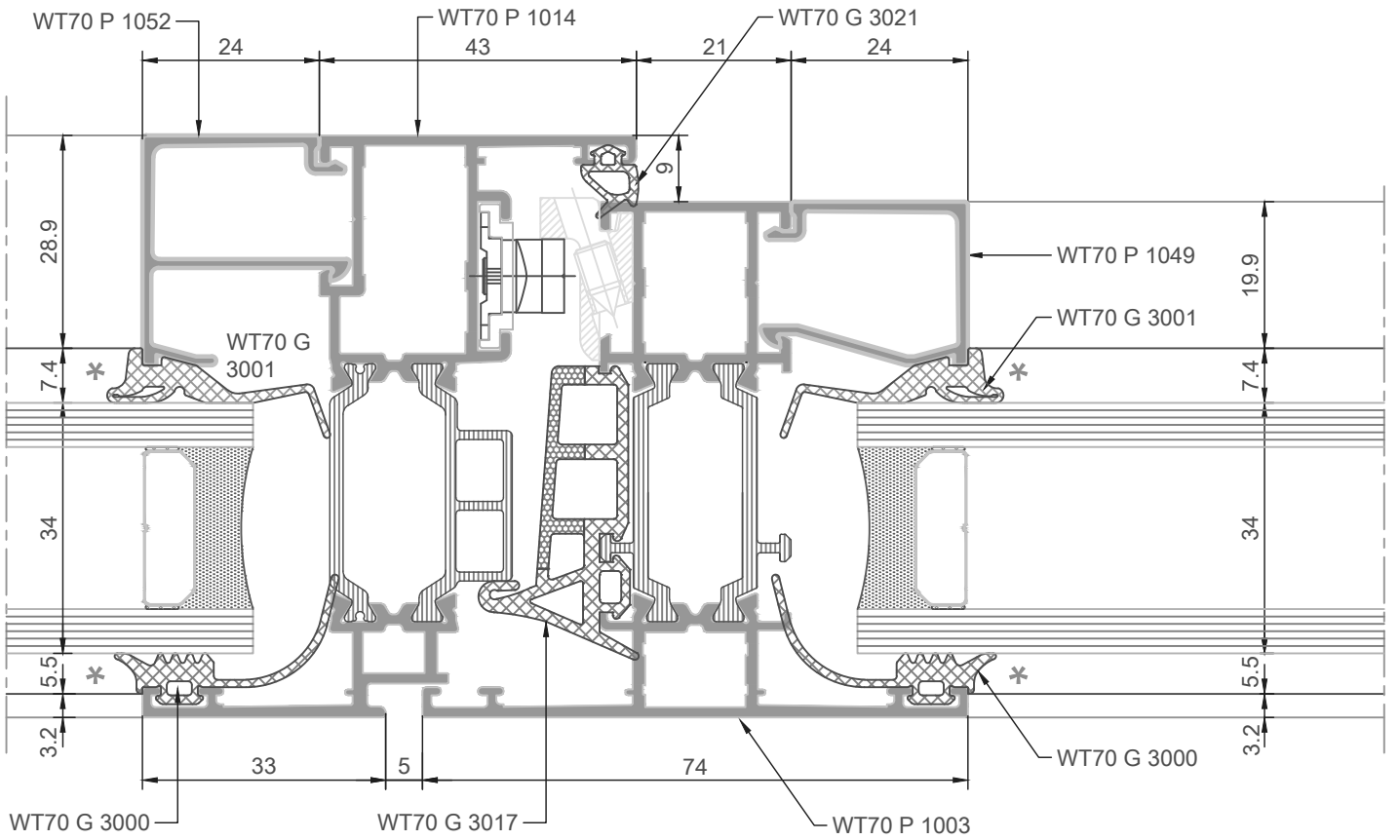
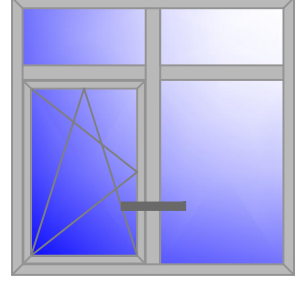
*cam kombinasyon sayfasına bakınız.



Scale 1:1
Ölçek 1:1

* see glazing beads table

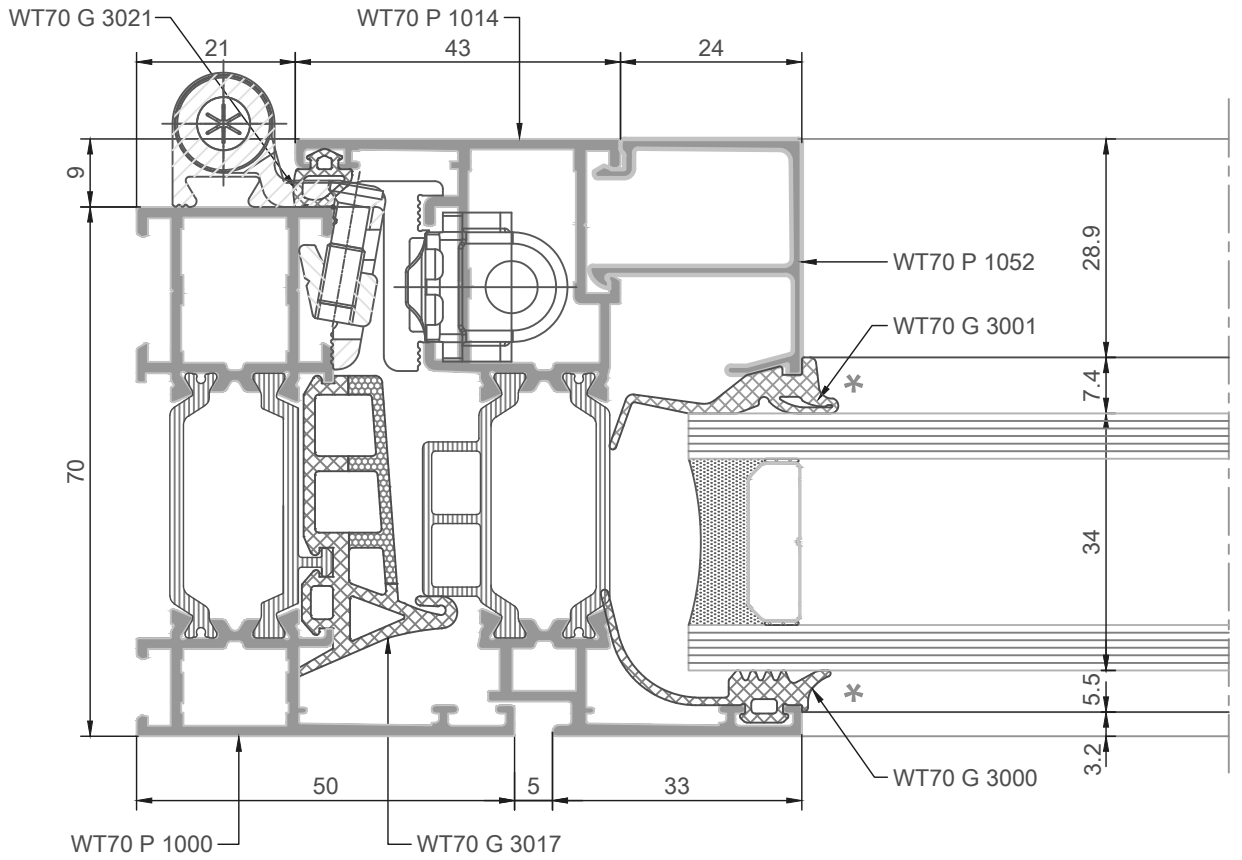
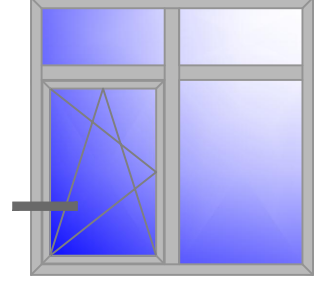
*cam kombinasyon sayfasına bakınız.



Scale 1:1
Ölçek 1:1

* see glazing beads table

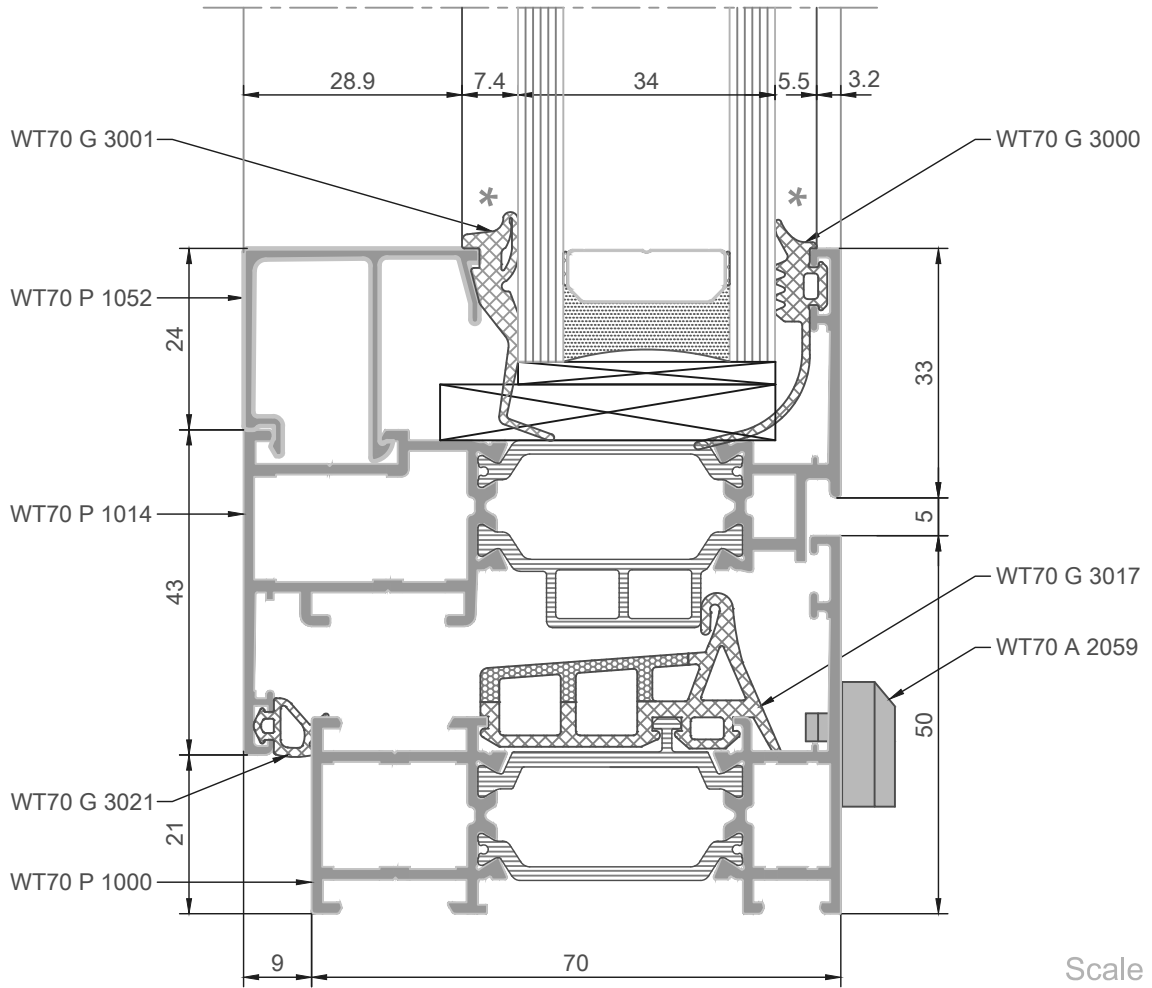
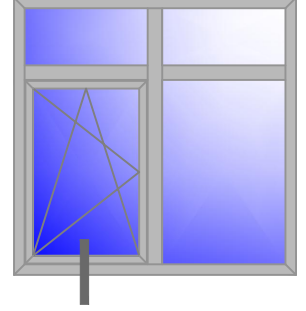
*cam kombinasyon sayfasına bakınız.



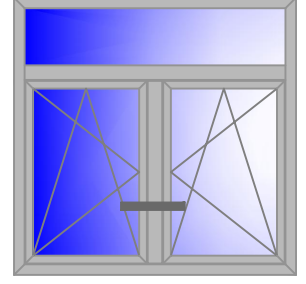
Scale 1:1
Ölçek 1:1

* see glazing beads table

*cam kombinasyon sayfasına bakınız.

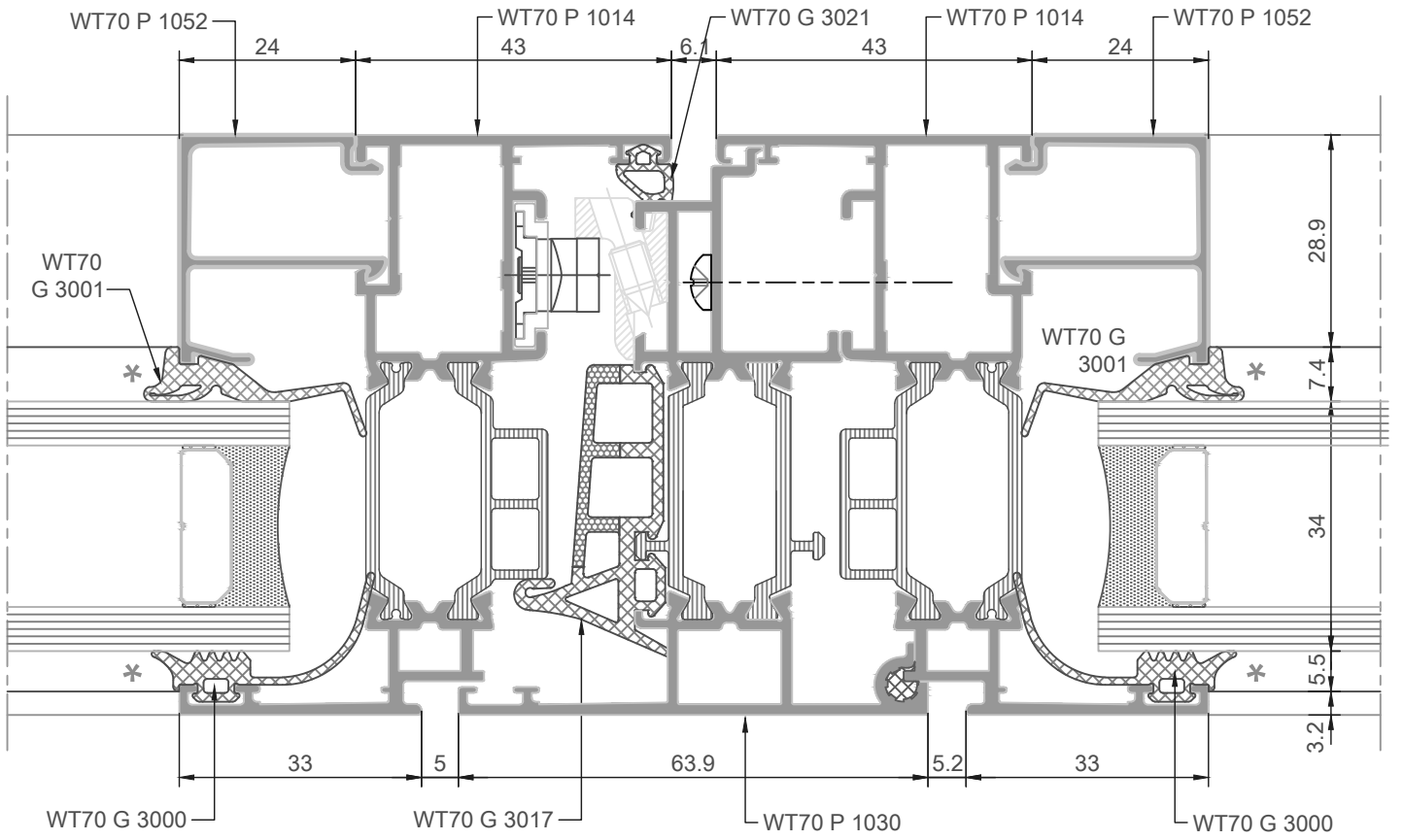


Scale 1:1
Ölçek 1:1



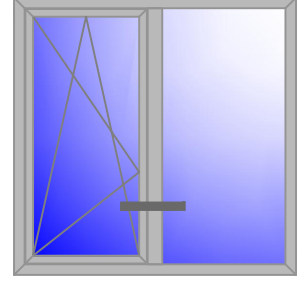
* see glazing beads table

*cam kombinasyon sayfasına bakınız.



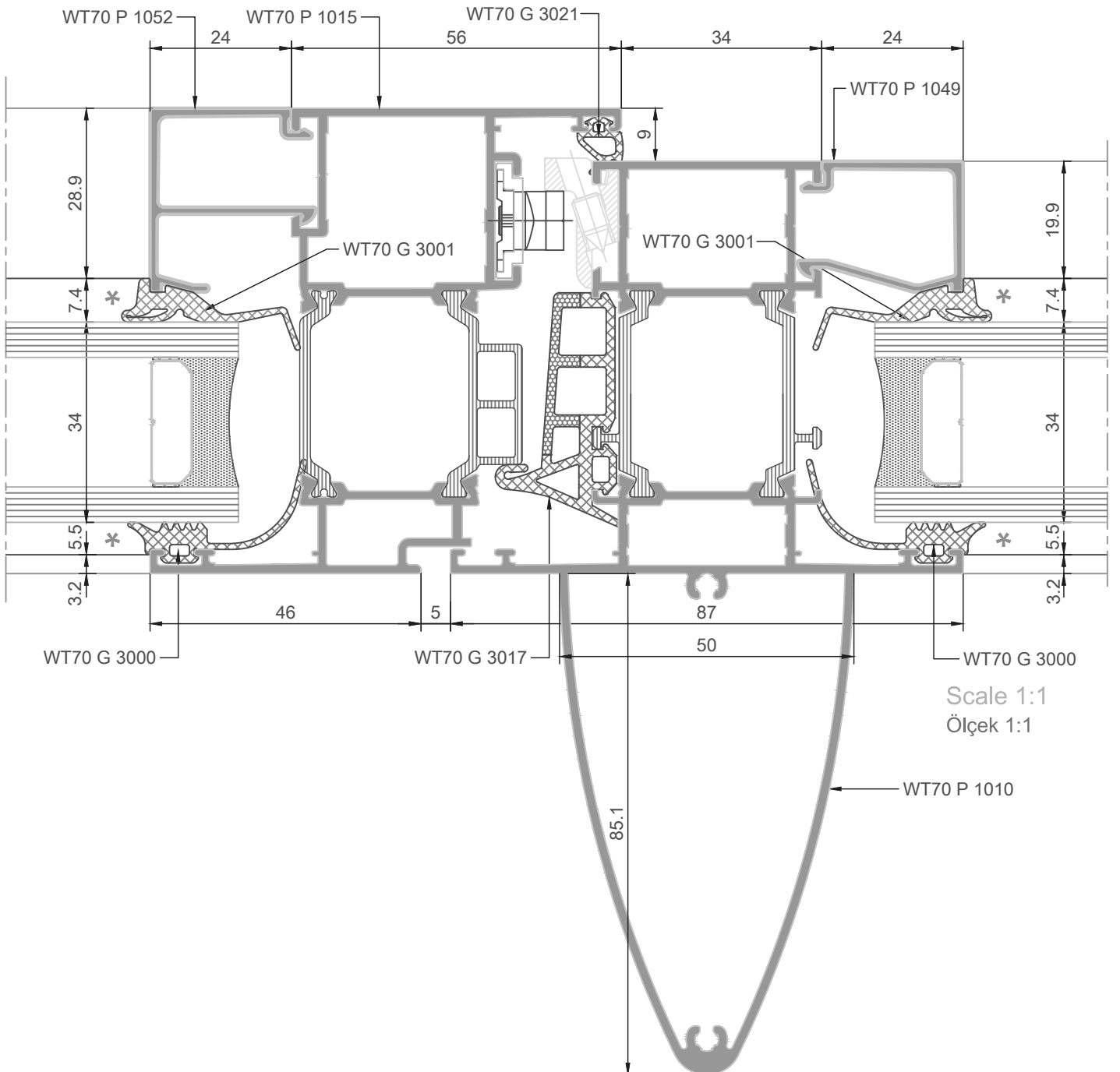
Scale 1:1

Ölçek 1:1



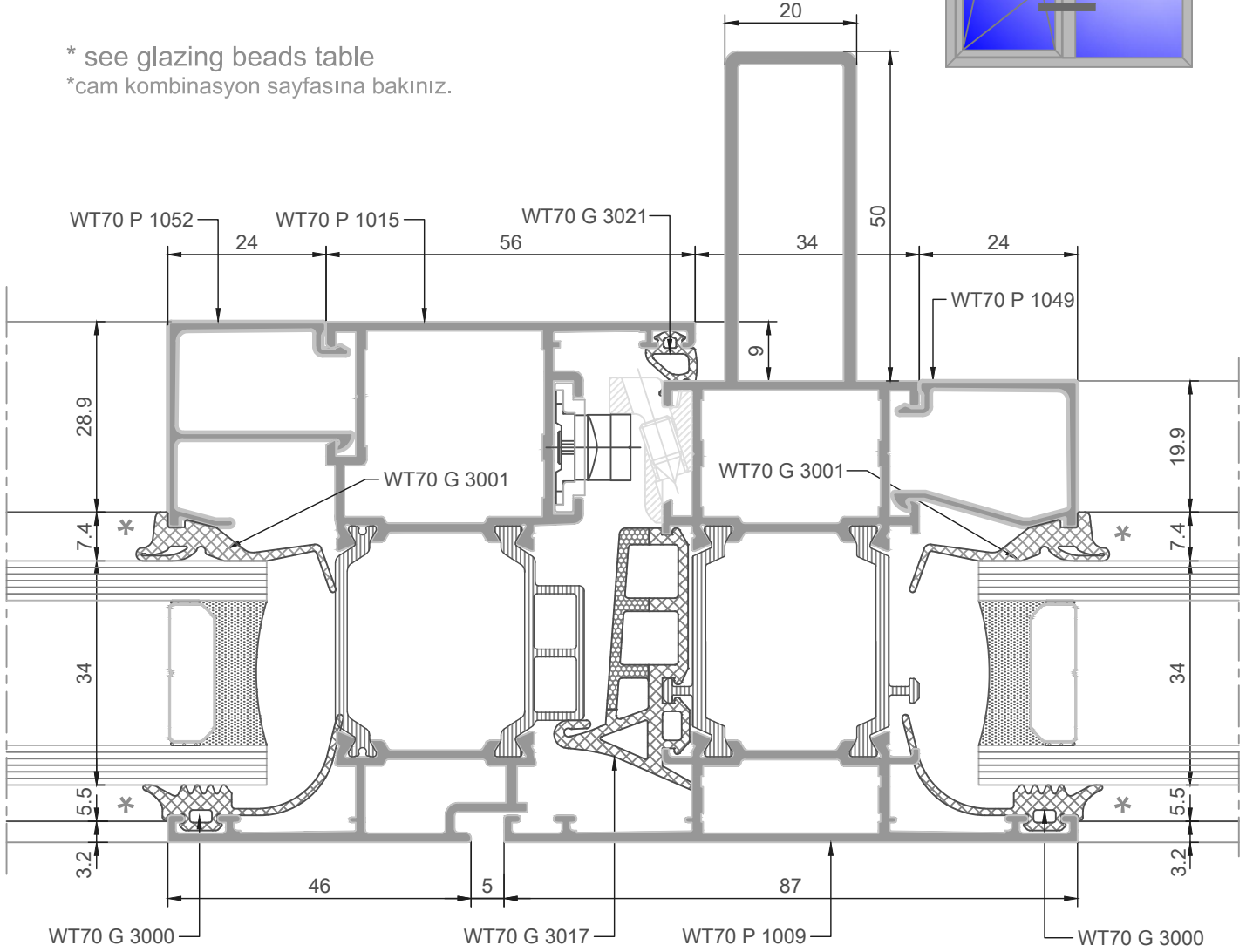
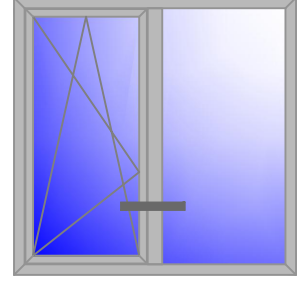
* see glazing beads table

*cam kombinasyon sayfasına bakınız.

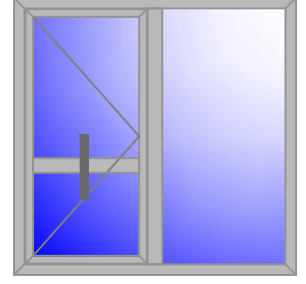


* see glazing beads table

*cam kombinasyon sayfasına bakınız.

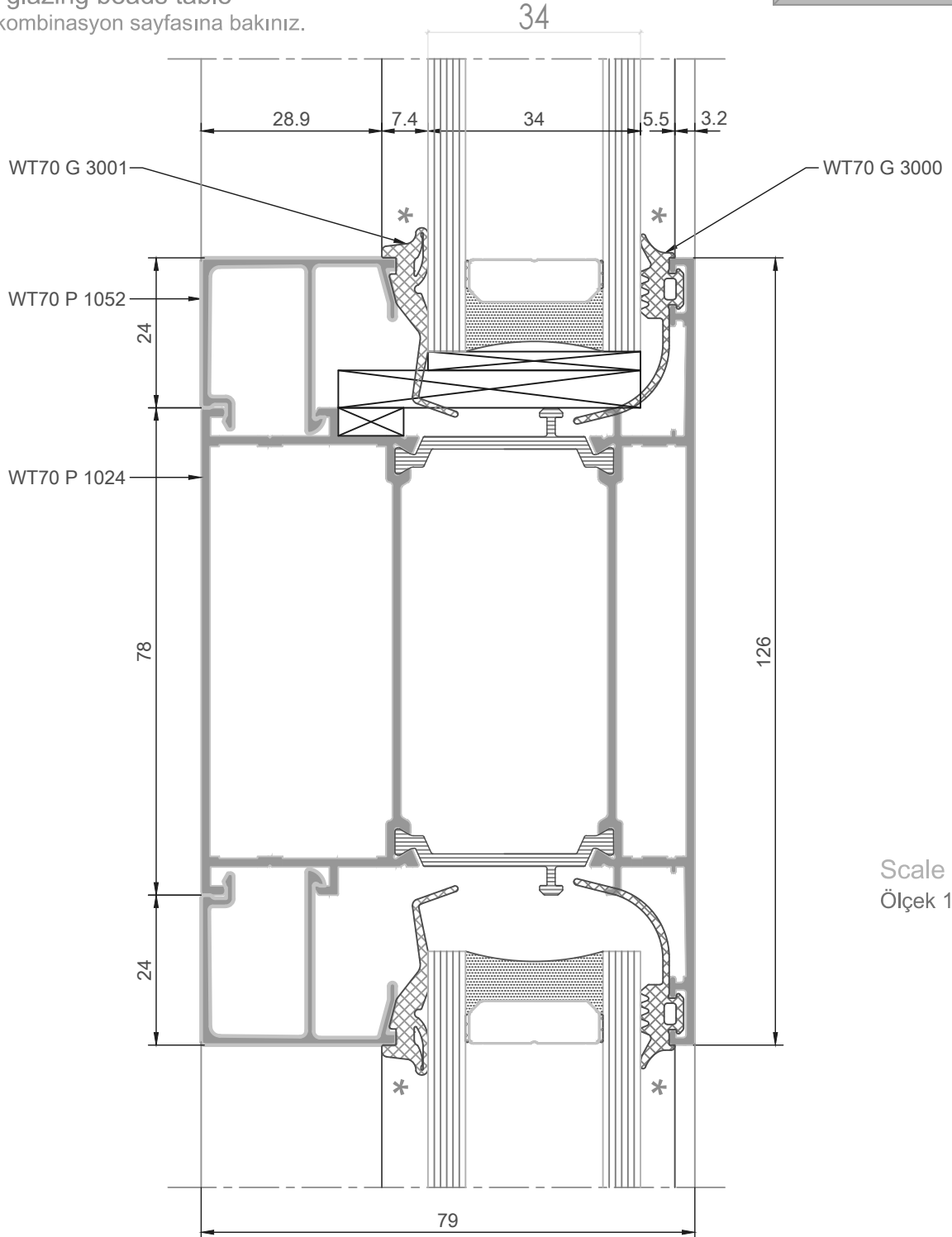


Scale 1:1
Ölçek 1:1

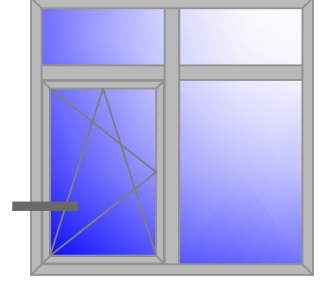


* see glazing beads table

*cam kombinasyon sayfasına bakınız.

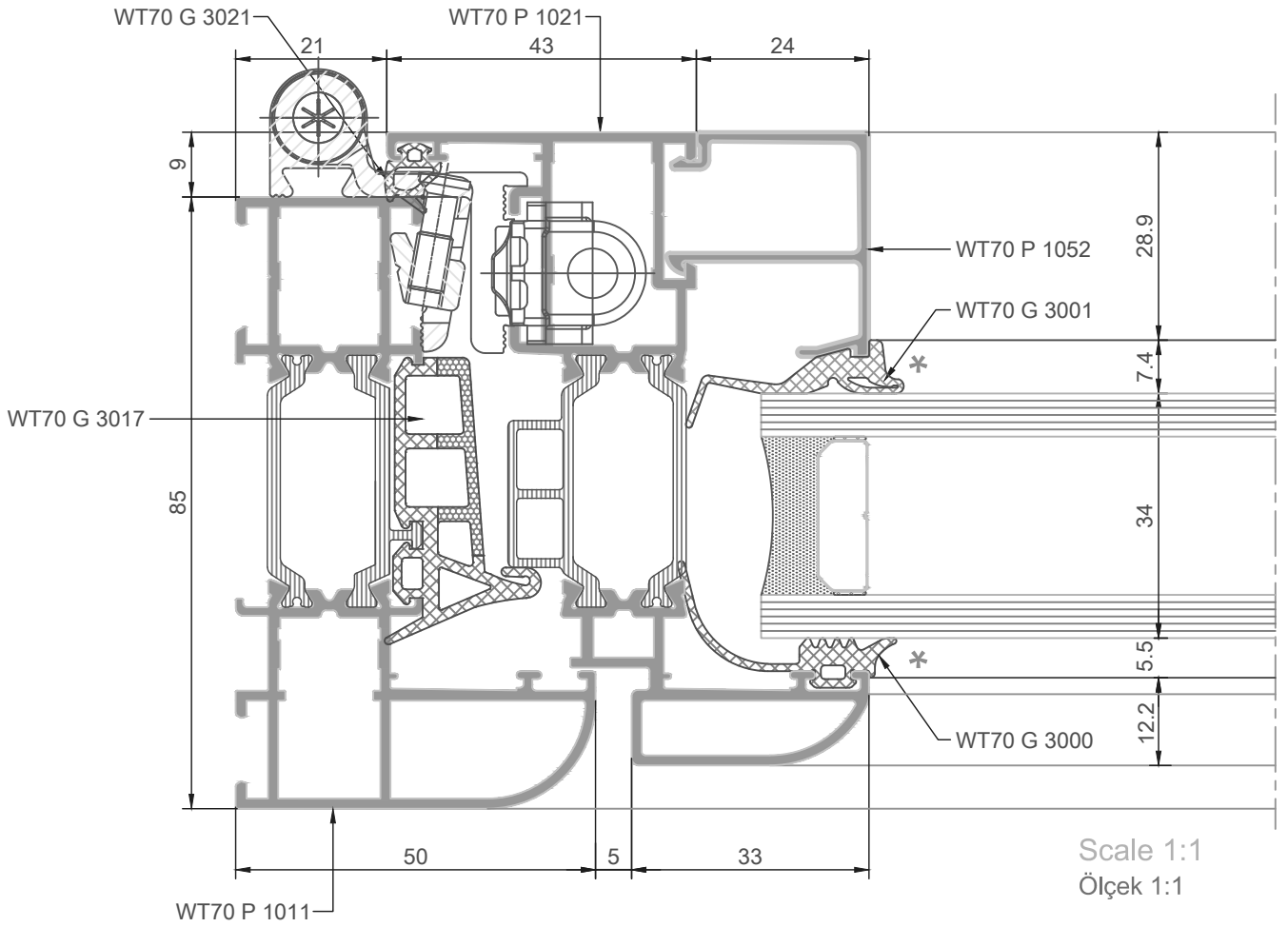


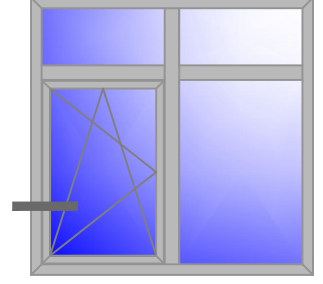
Scale 1:1
Ölçek 1:1



* see glazing beads table

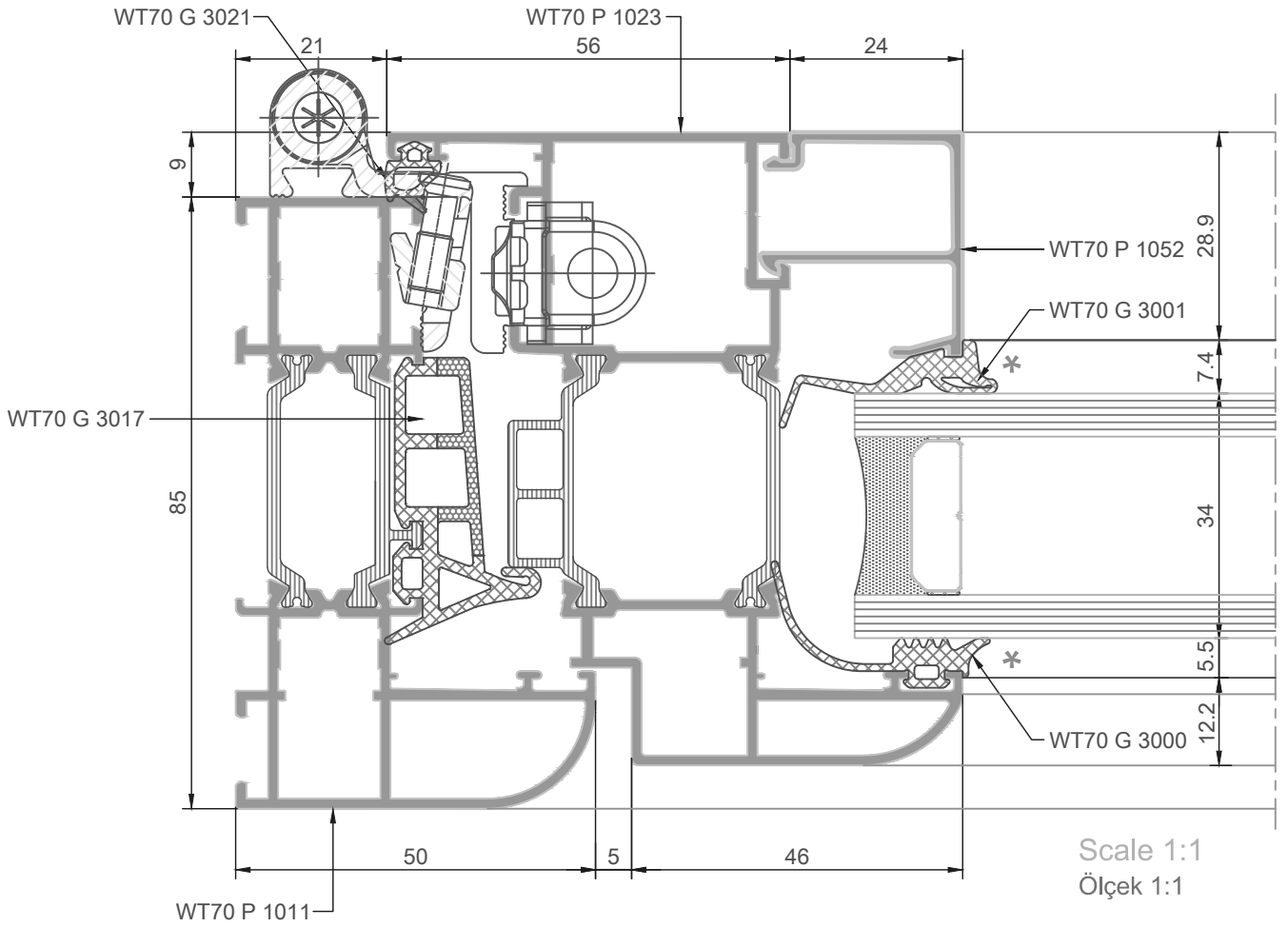
*cam kombinasyon sayfasına bakınız.

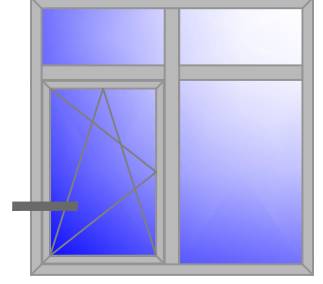




* see glazing beads table

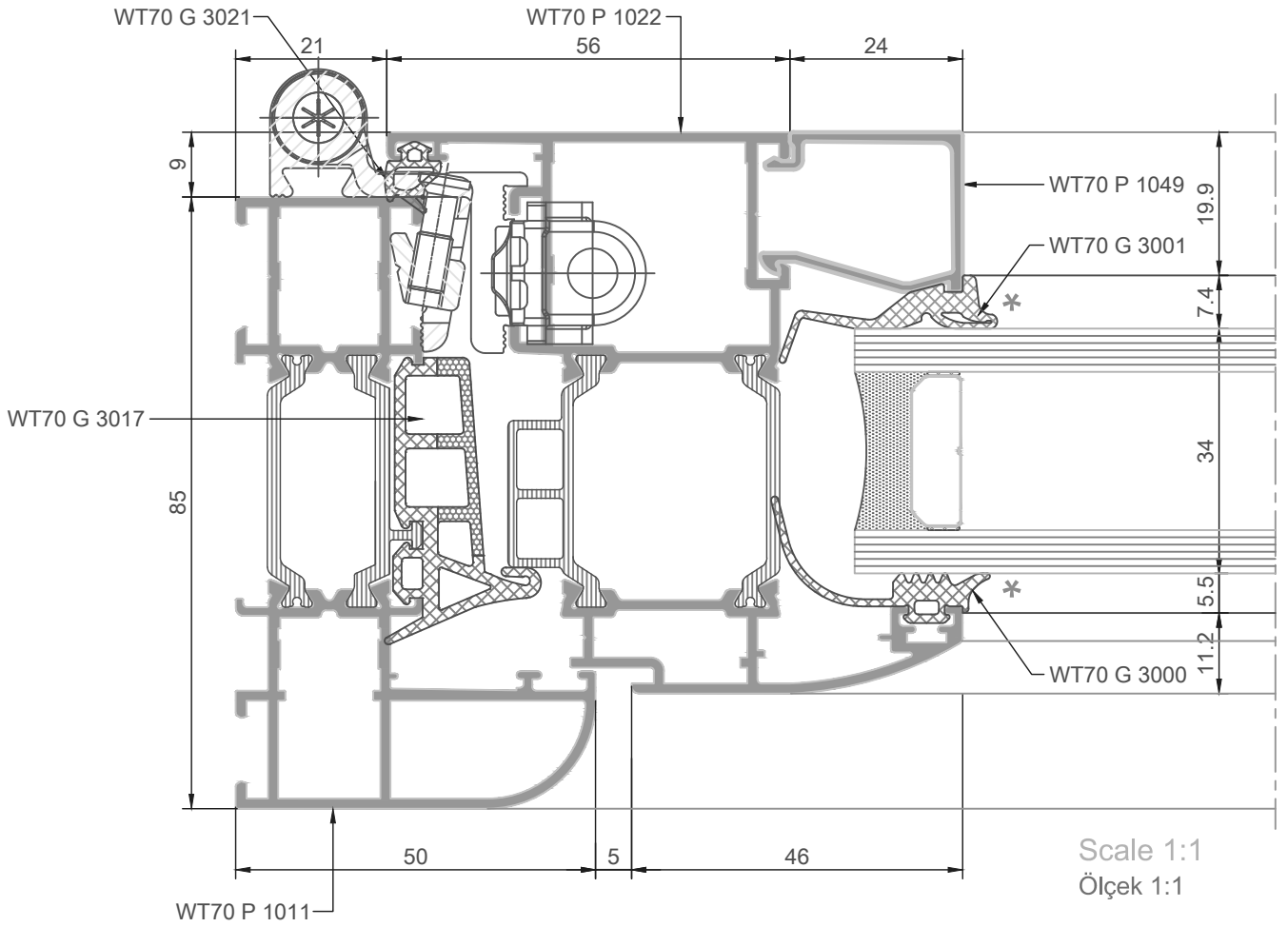
*cam kombinasyon sayfasına bakınız.





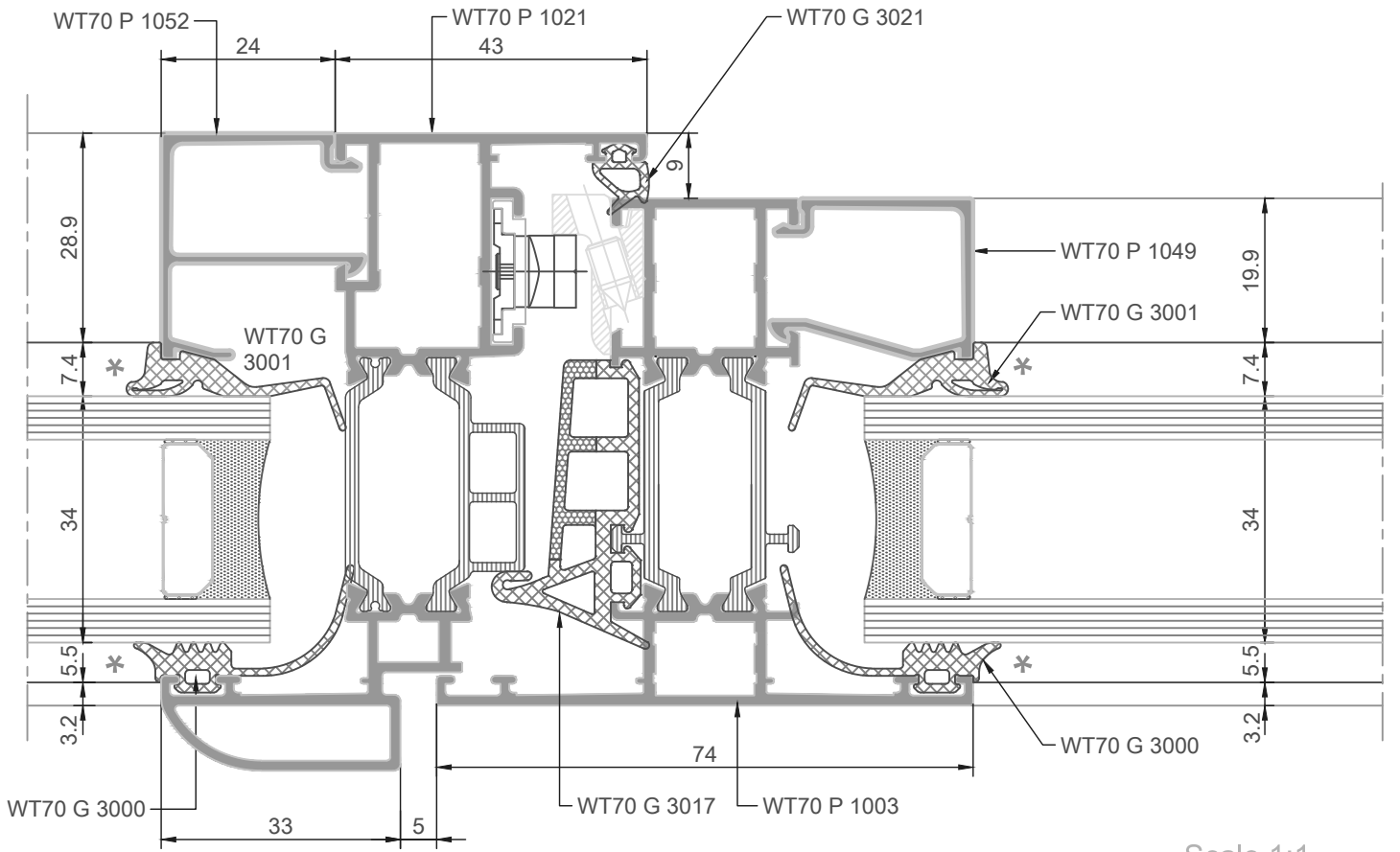
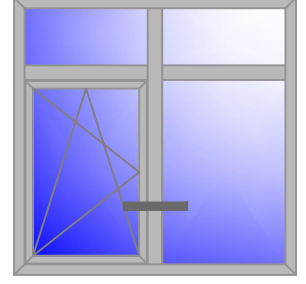
* see glazing beads table

*cam kombinasyon sayfasına bakınız.



* see glazing beads table

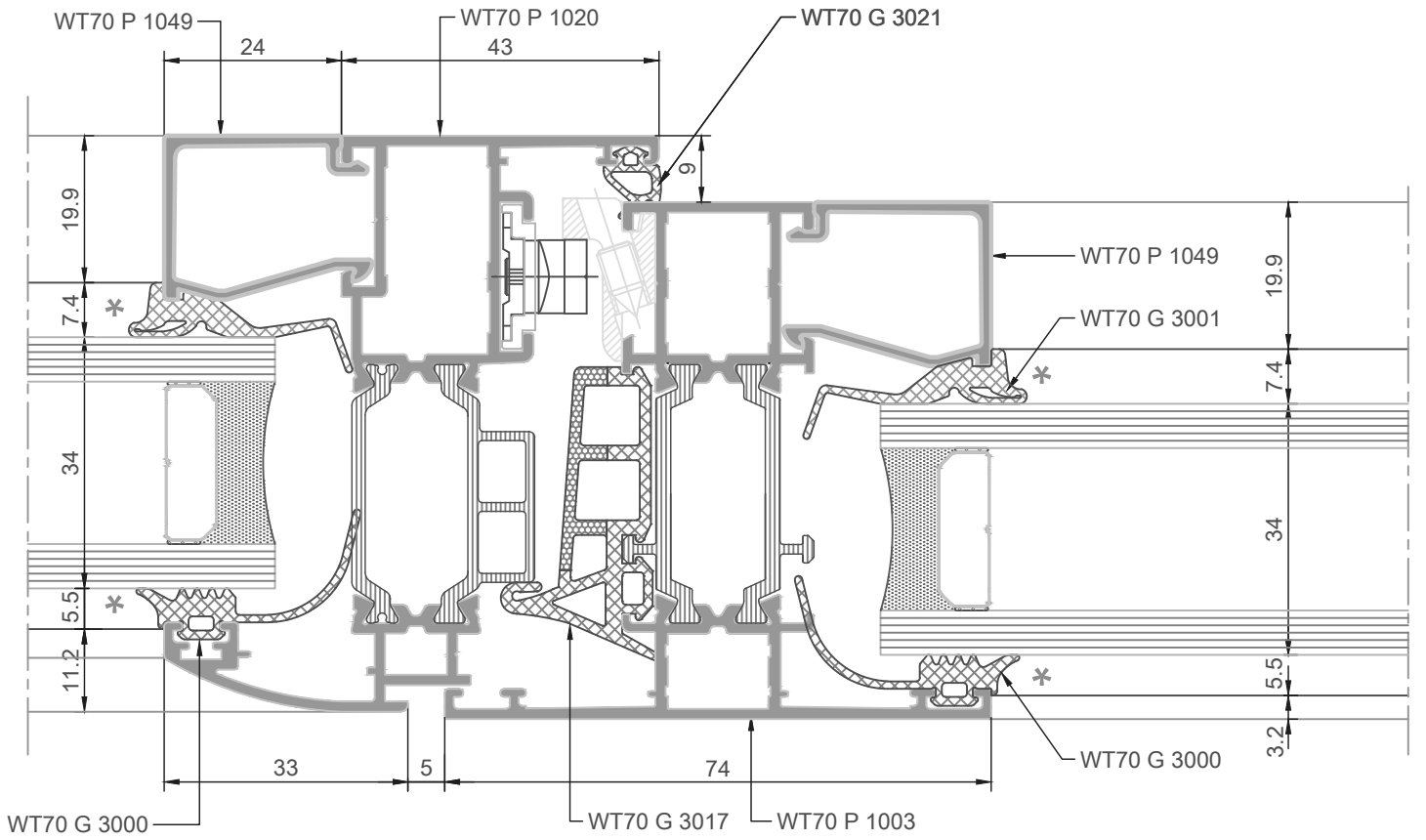
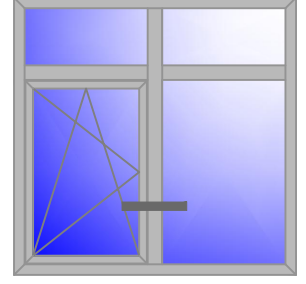
*cam kombinasyon sayfasına bakınız.



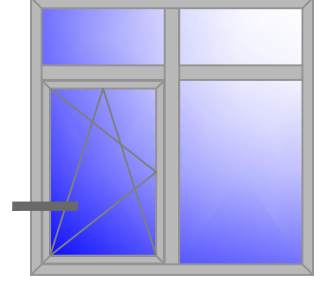
Scale 1:1
Ölçek 1:1

* see glazing beads table

*cam kombinasyon sayfasına bakınız.

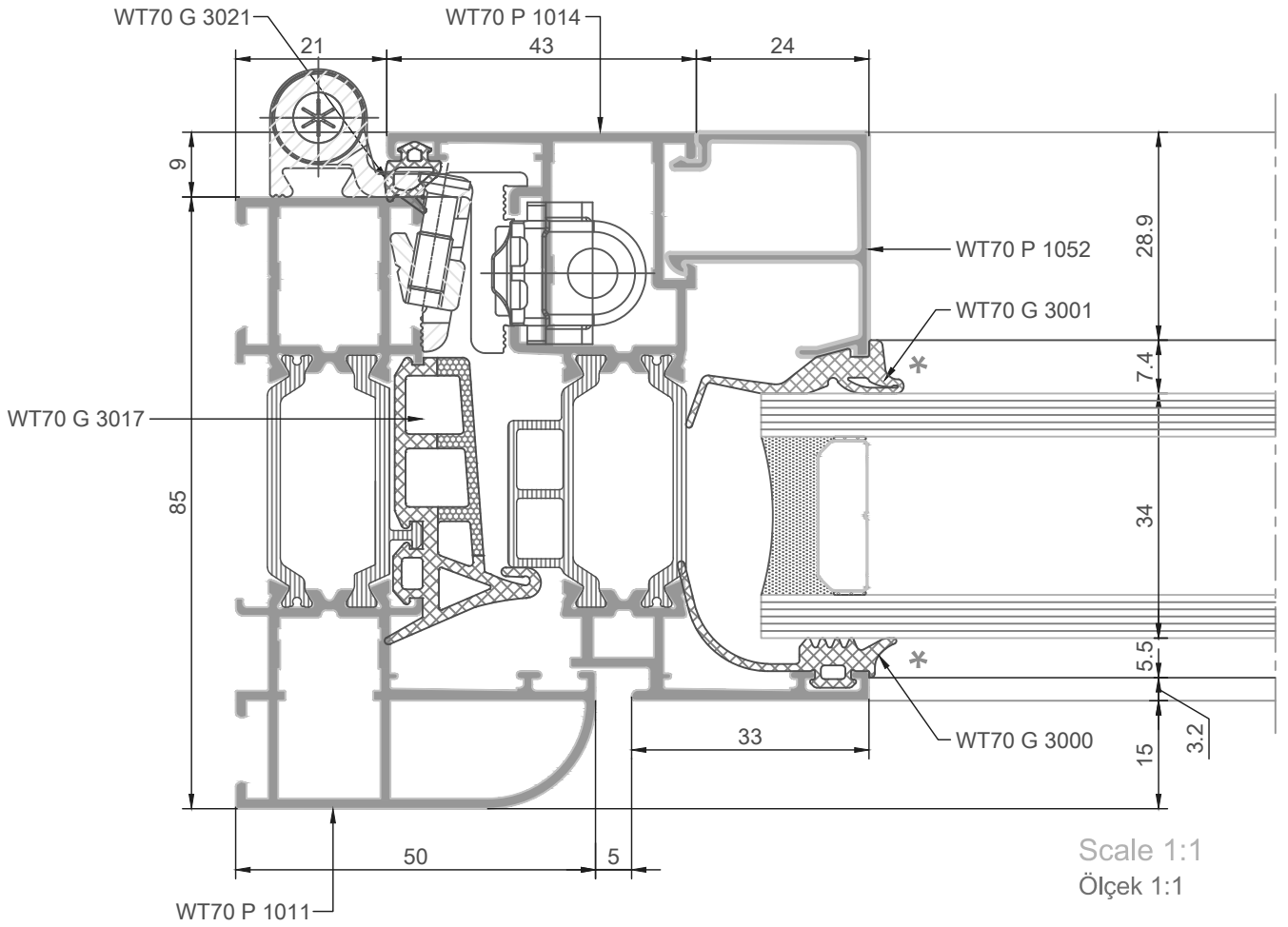


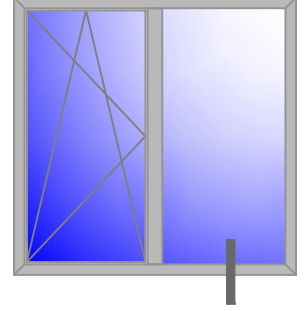
Scale 1:1
Ölçek 1:1



* see glazing beads table

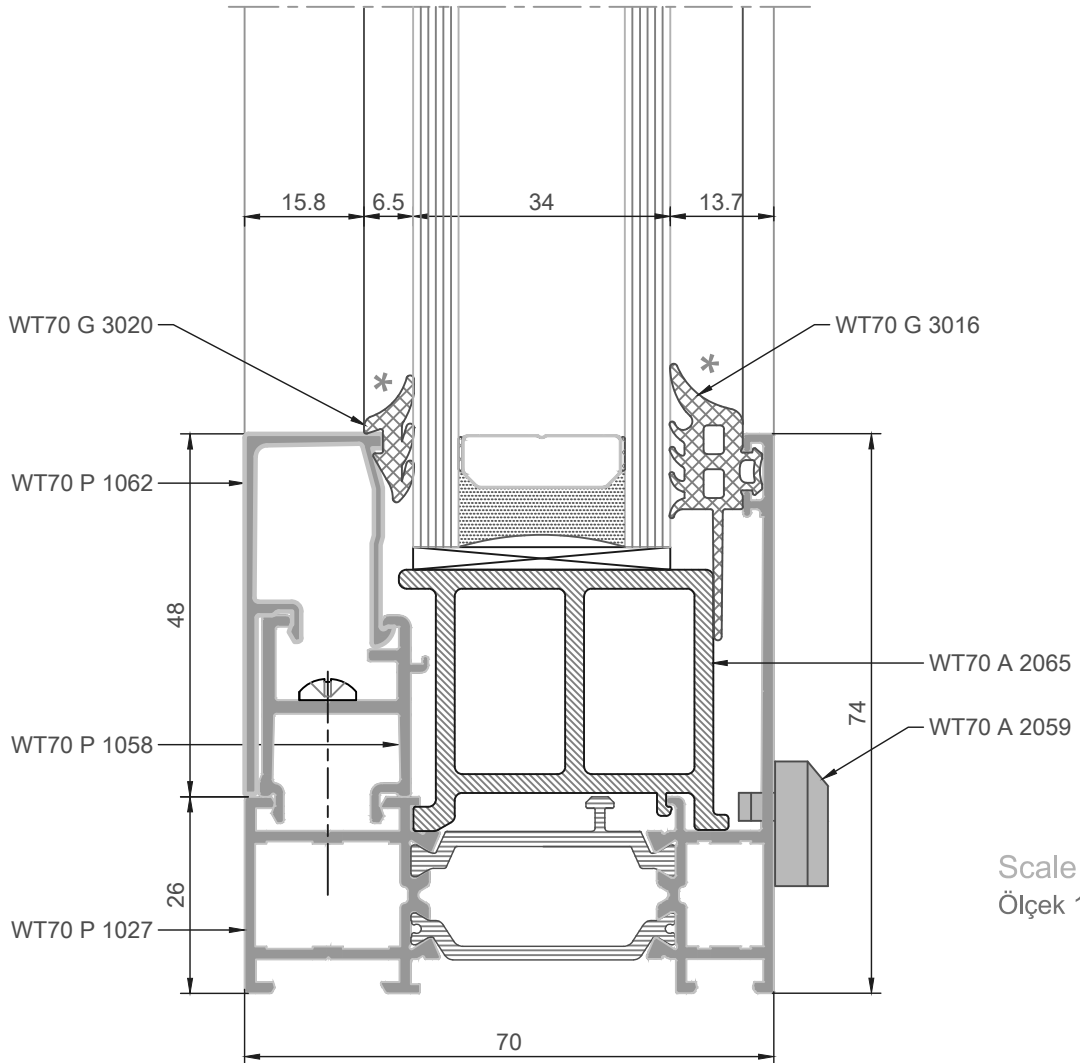
*cam kombinasyon sayfasına bakınız.





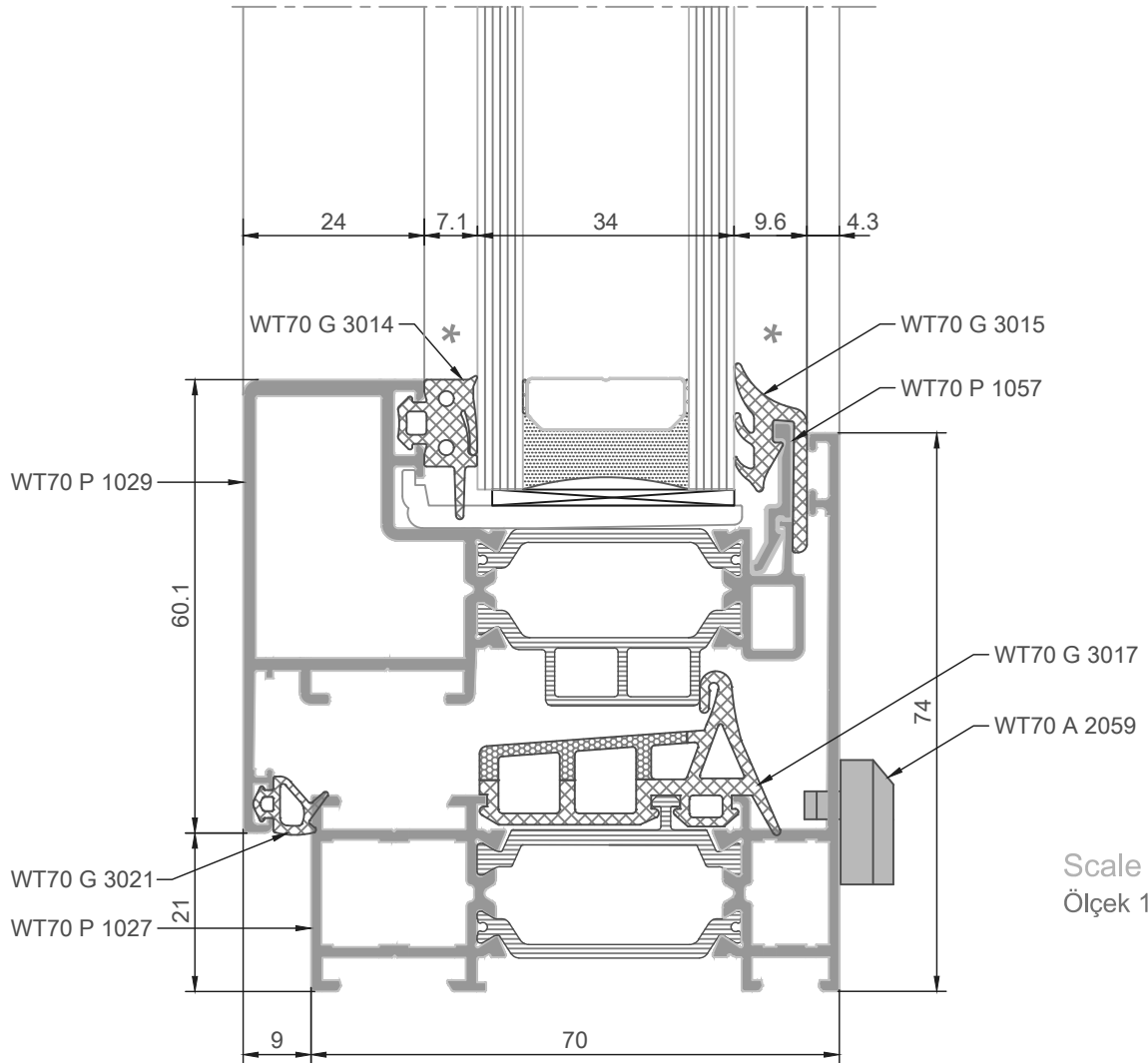
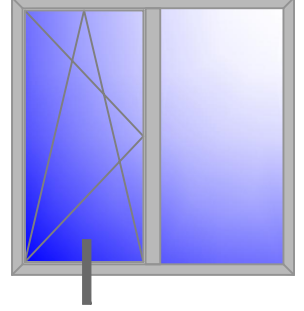
* see glazing beads table

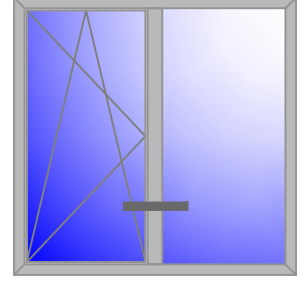
*cam kombinasyon sayfasına bakınız.



* see glazing beads table

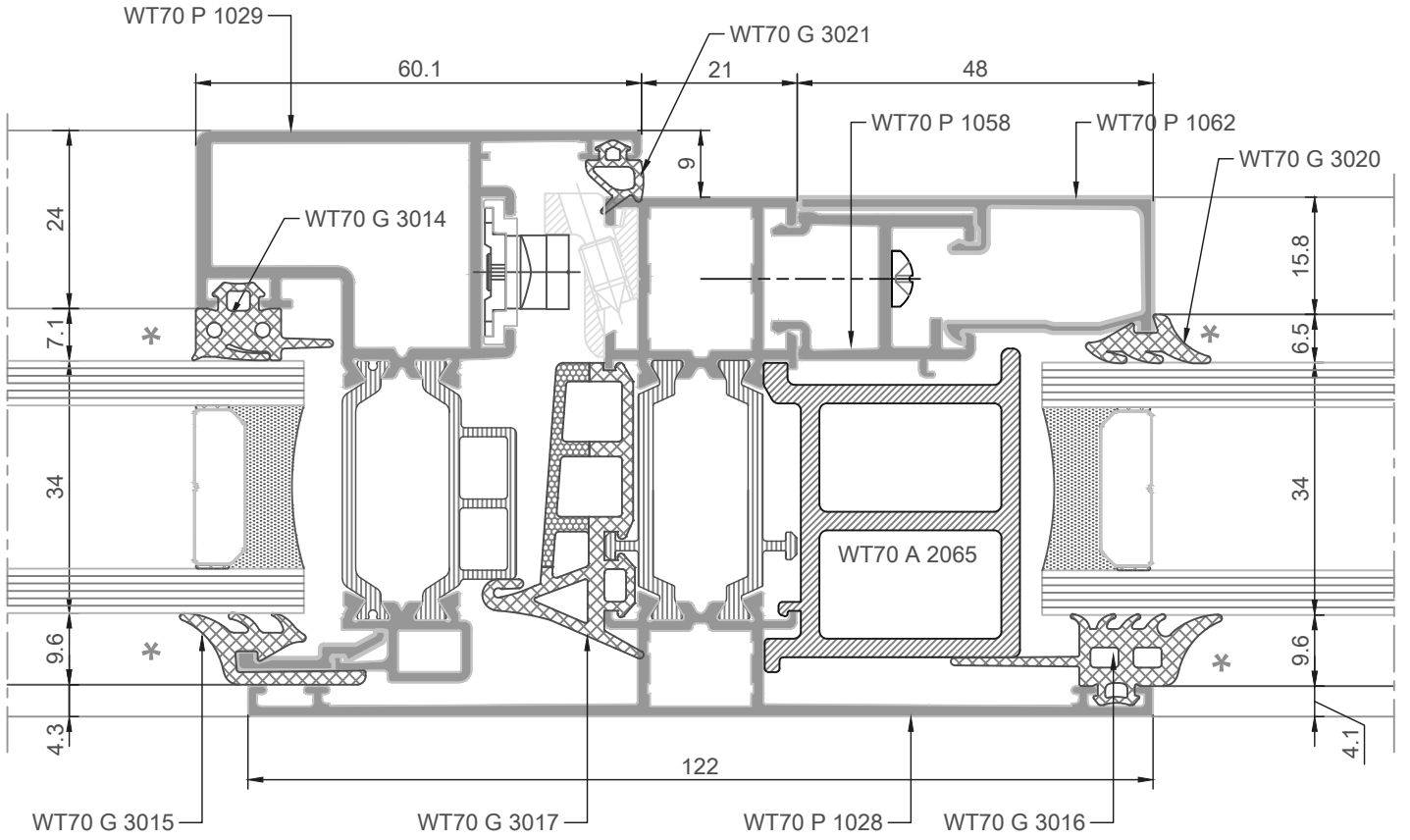
*cam kombinasyon sayfasına bakınız.



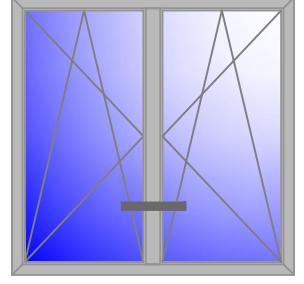


* see glazing beads table

*cam kombinasyon sayfasına bakınız.

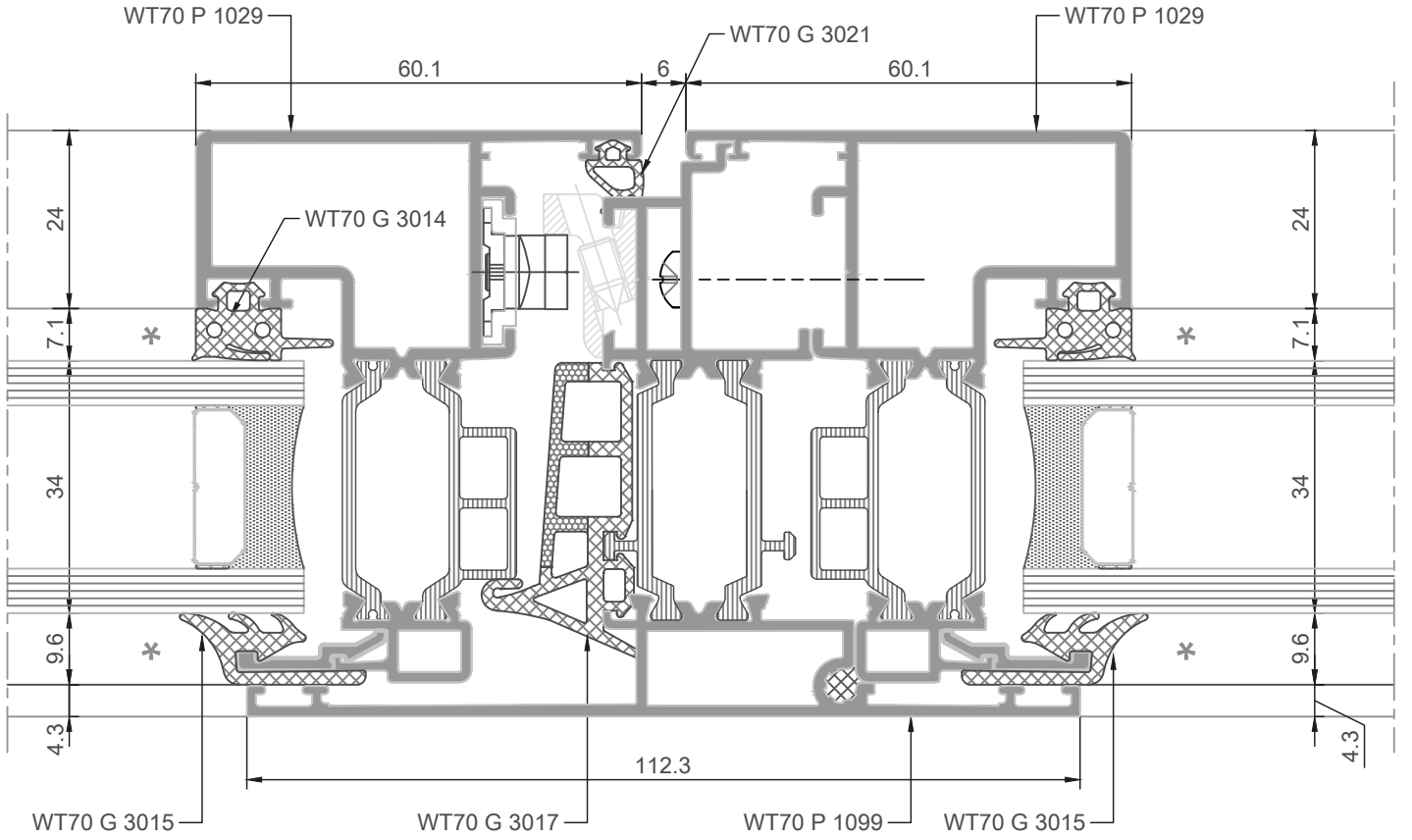


Scale 1:1
Ölçek 1:1

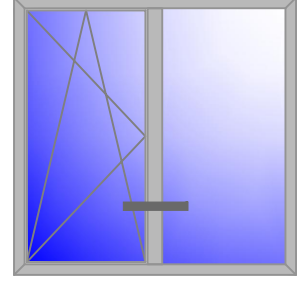


* see glazing beads table

*cam kombinasyon sayfasına bakınız.

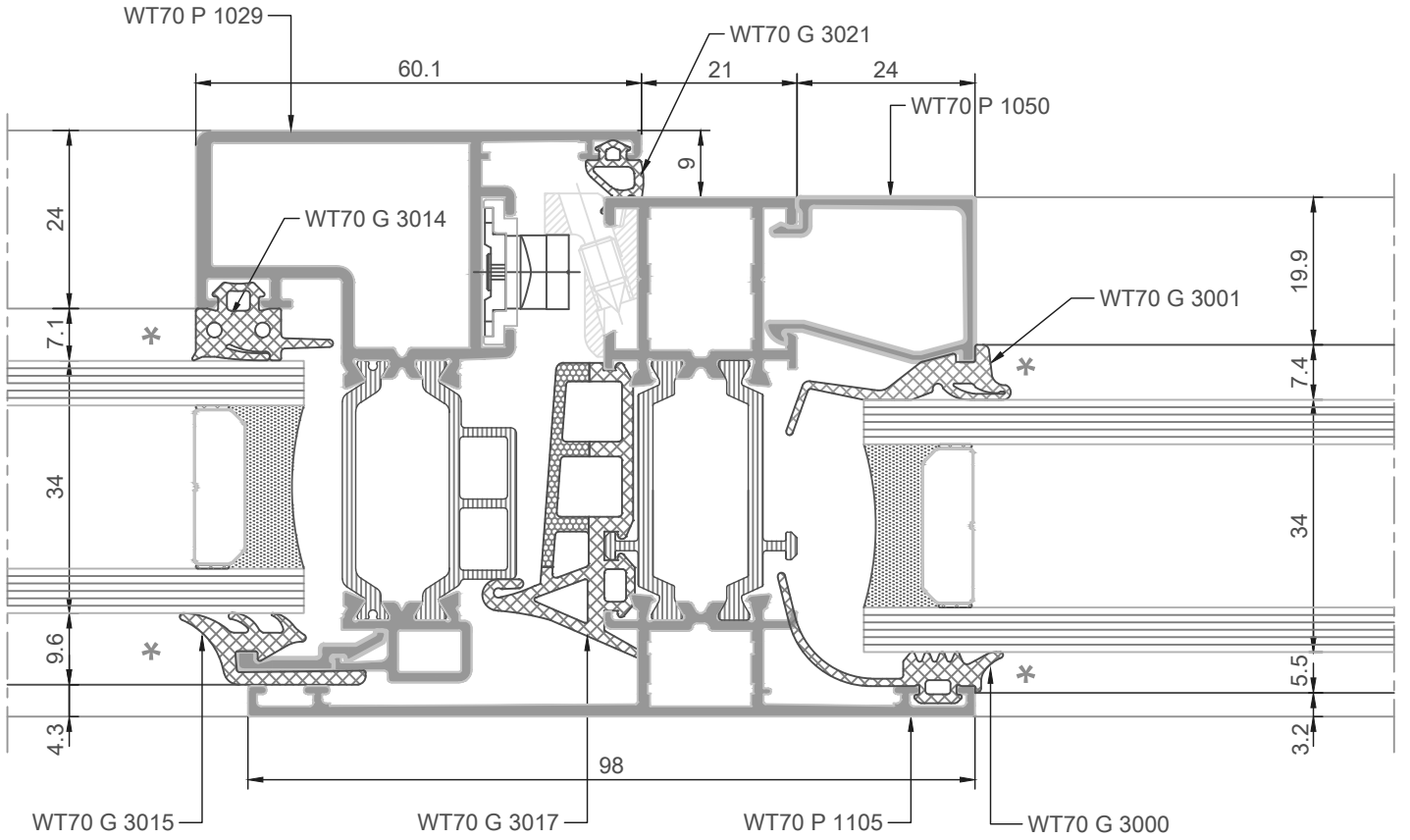


Scale 1:1
Ölçek 1:1

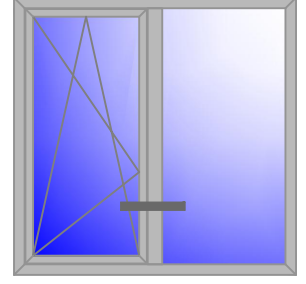


* see glazing beads table

*cam kombinasyon sayfasına bakınız.

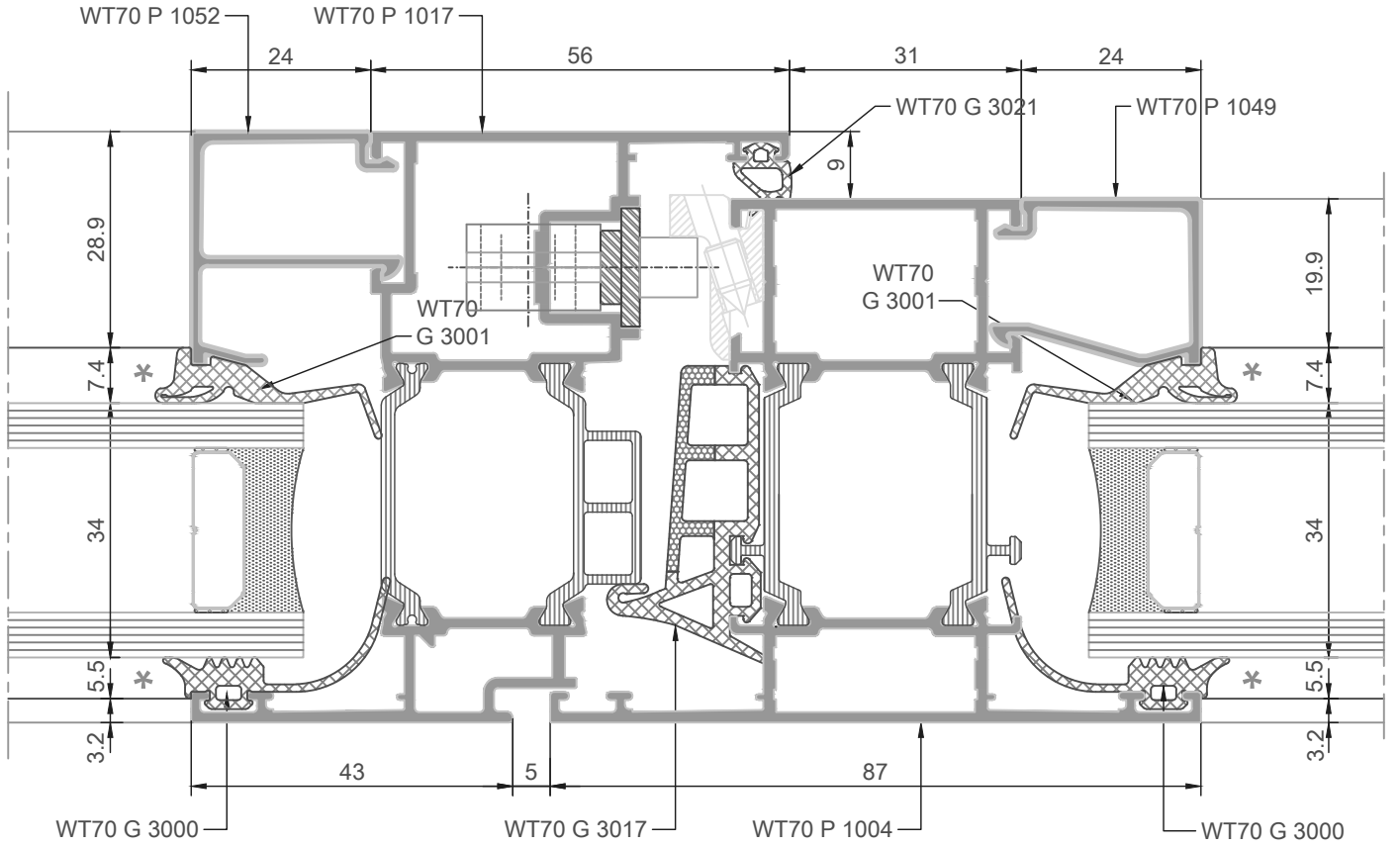


Scale 1:1
Ölçek 1:1

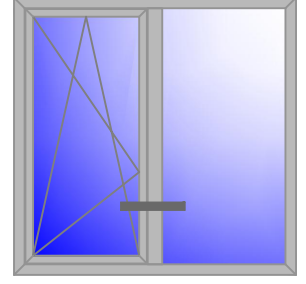


* see glazing beads table

*cam kombinasyon sayfasına bakınız.

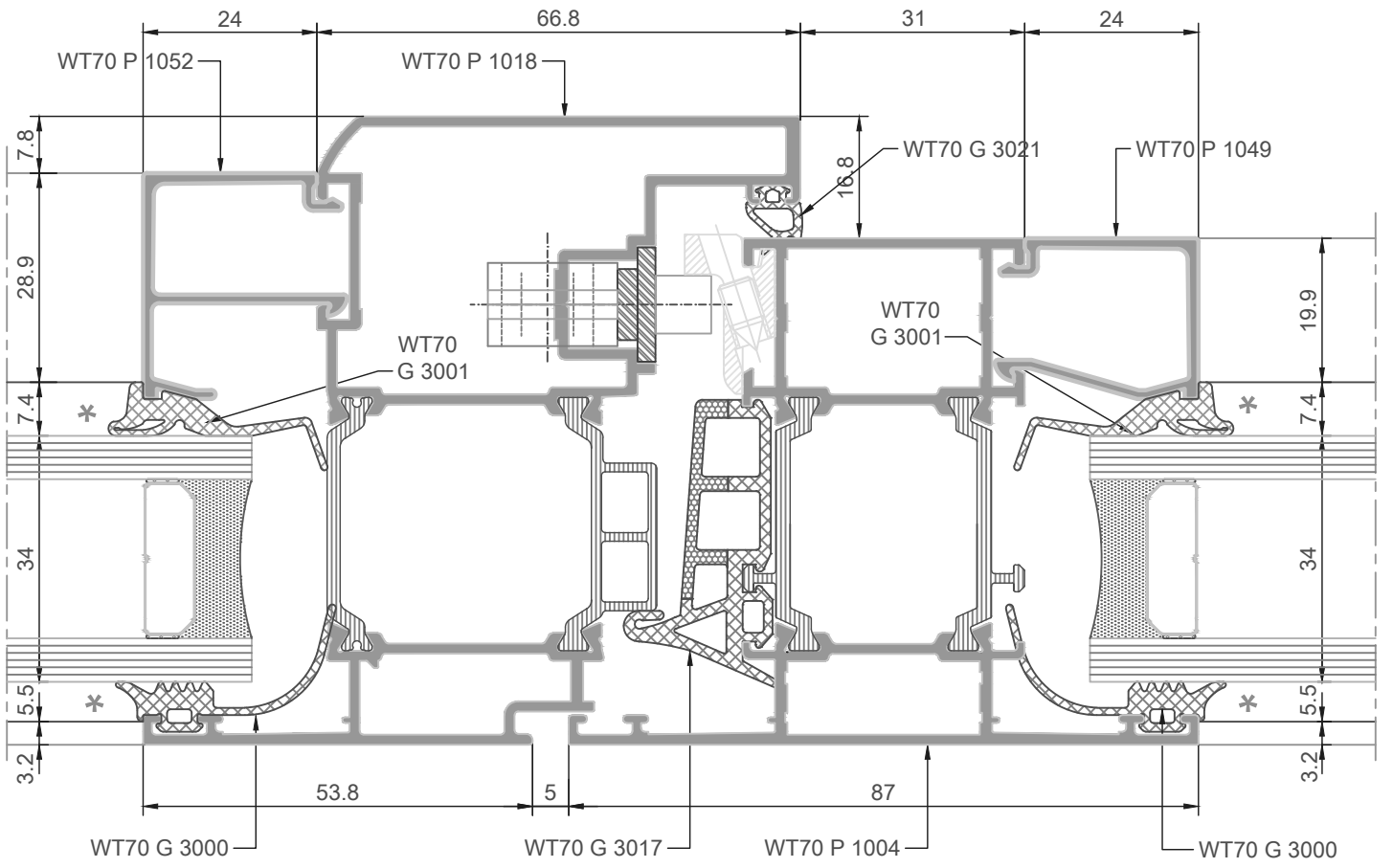


Scale 1:1
Ölçek 1:1

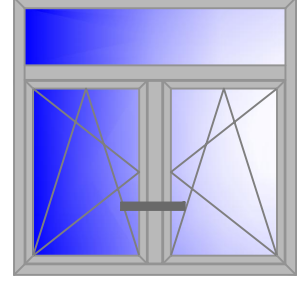


* see glazing beads table

*cam kombinasyon sayfasına bakınız.

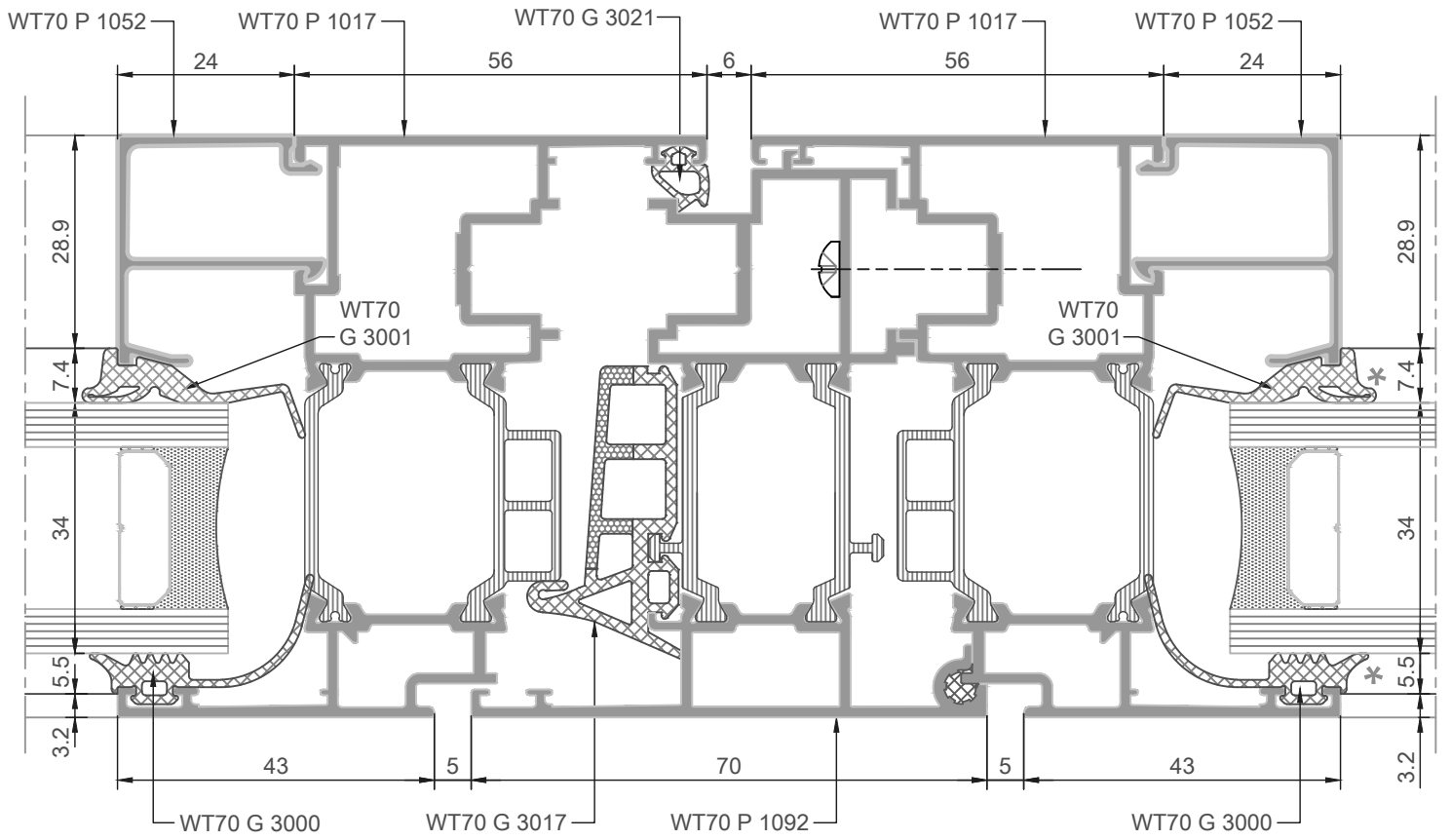


Scale 1:1
Ölçek 1:1



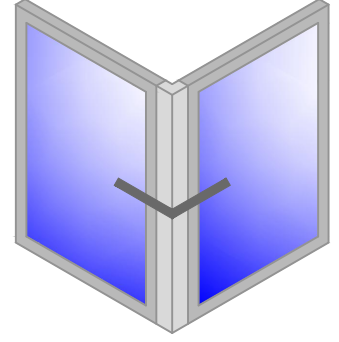
* see glazing beads table

*cam kombinasyon sayfasına bakınız.



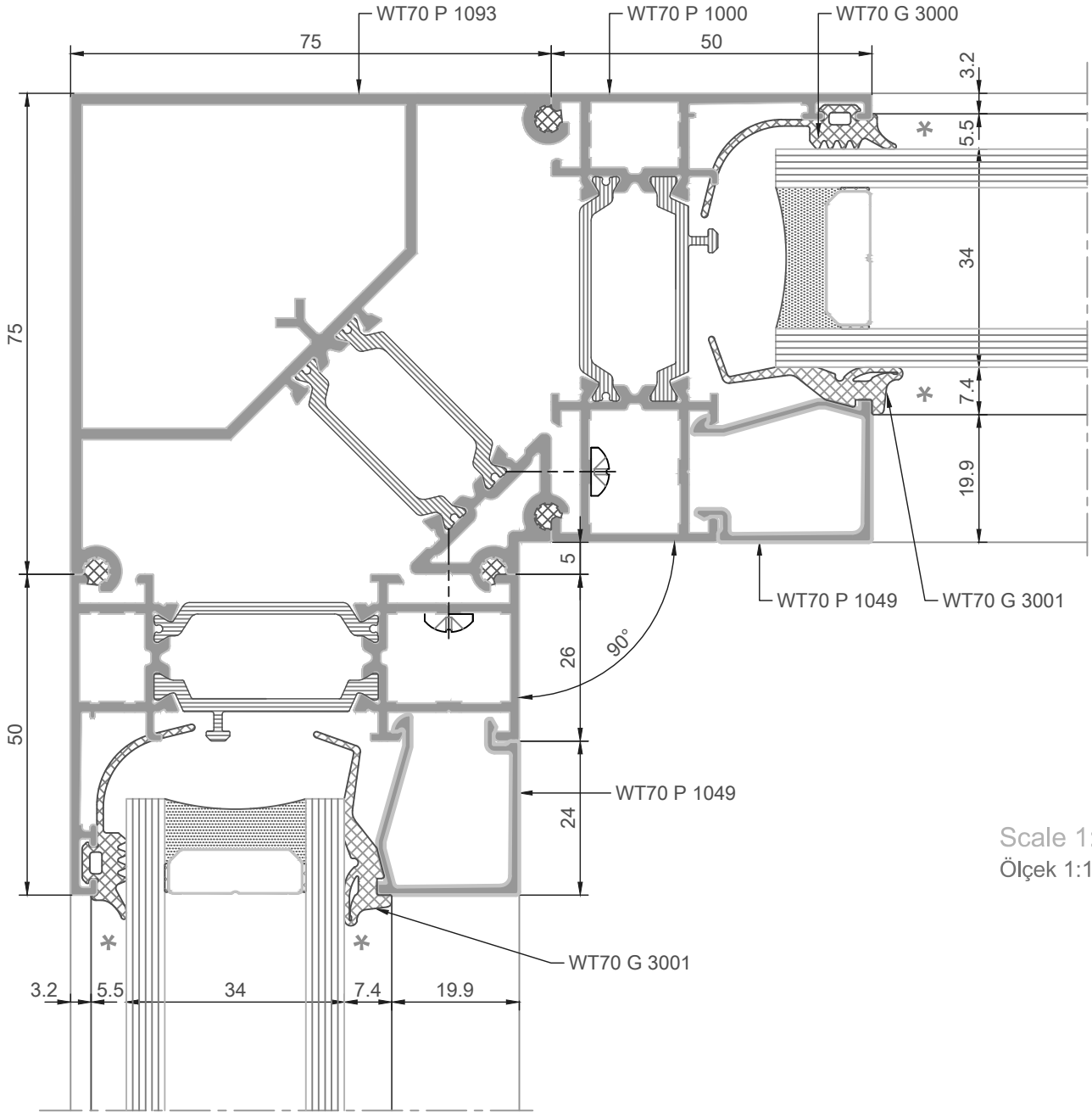
Scale 1:1
Ölçek 1:1

- * 90° OUTER CORNER
- * 90° DIŞ KÖŞE.



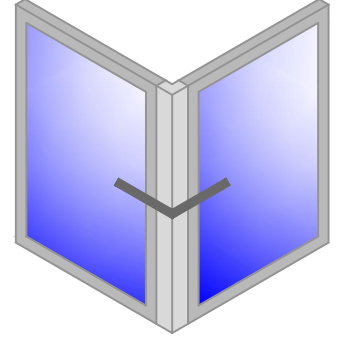
* see glazing beads table

*cam kombinasyon sayfasına bakınız.



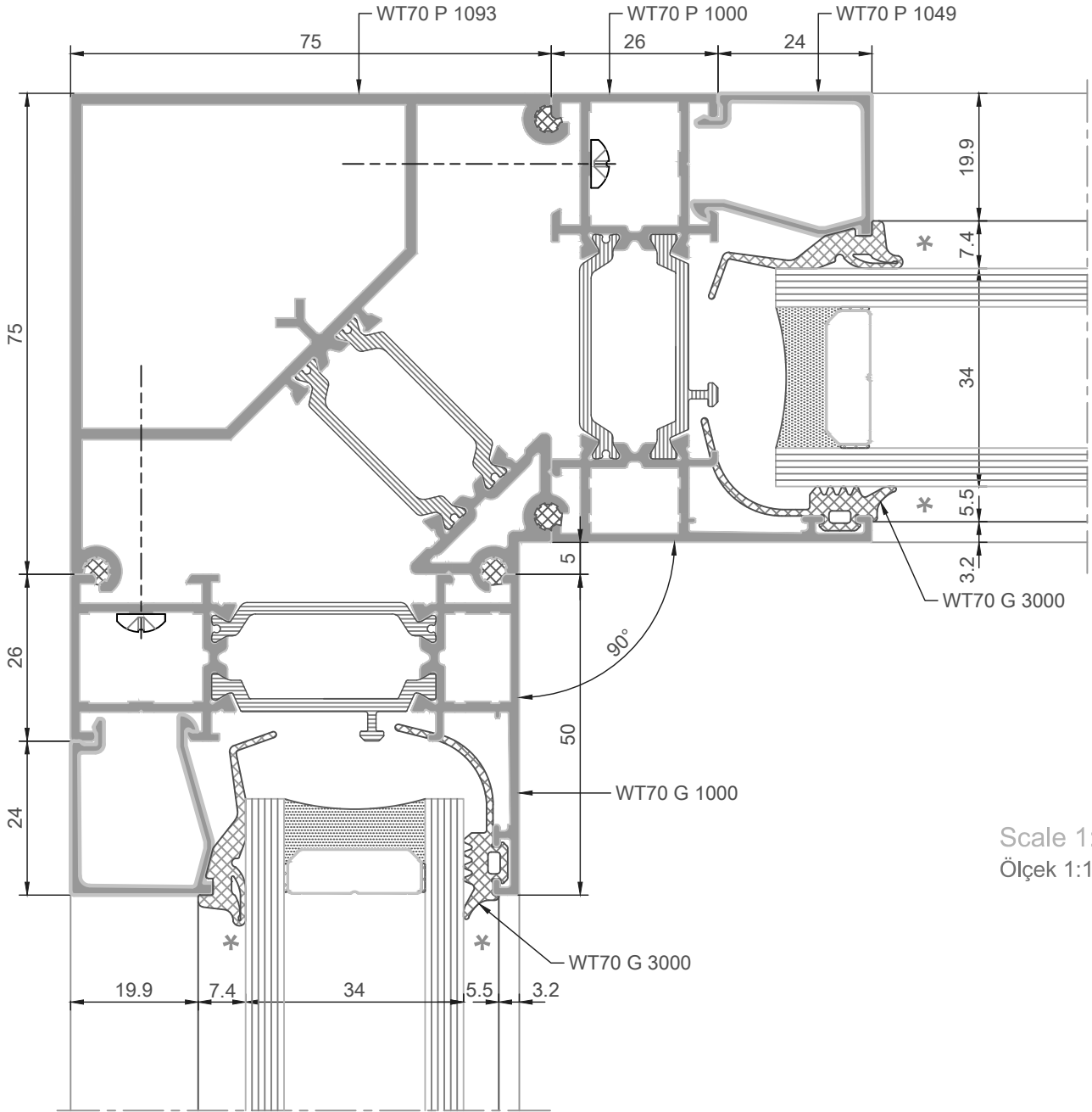
Scale 1:1
Ölçek 1:1

* 90° INNER CORNER
* 90° İÇ KÖŞE.

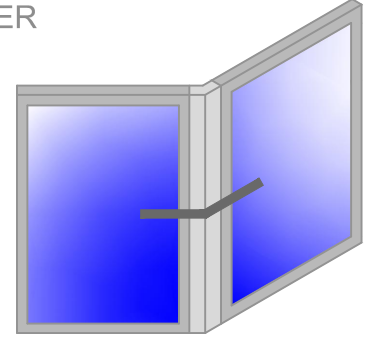


* see glazing beads table

*cam kombinasyon sayfasına bakınız.

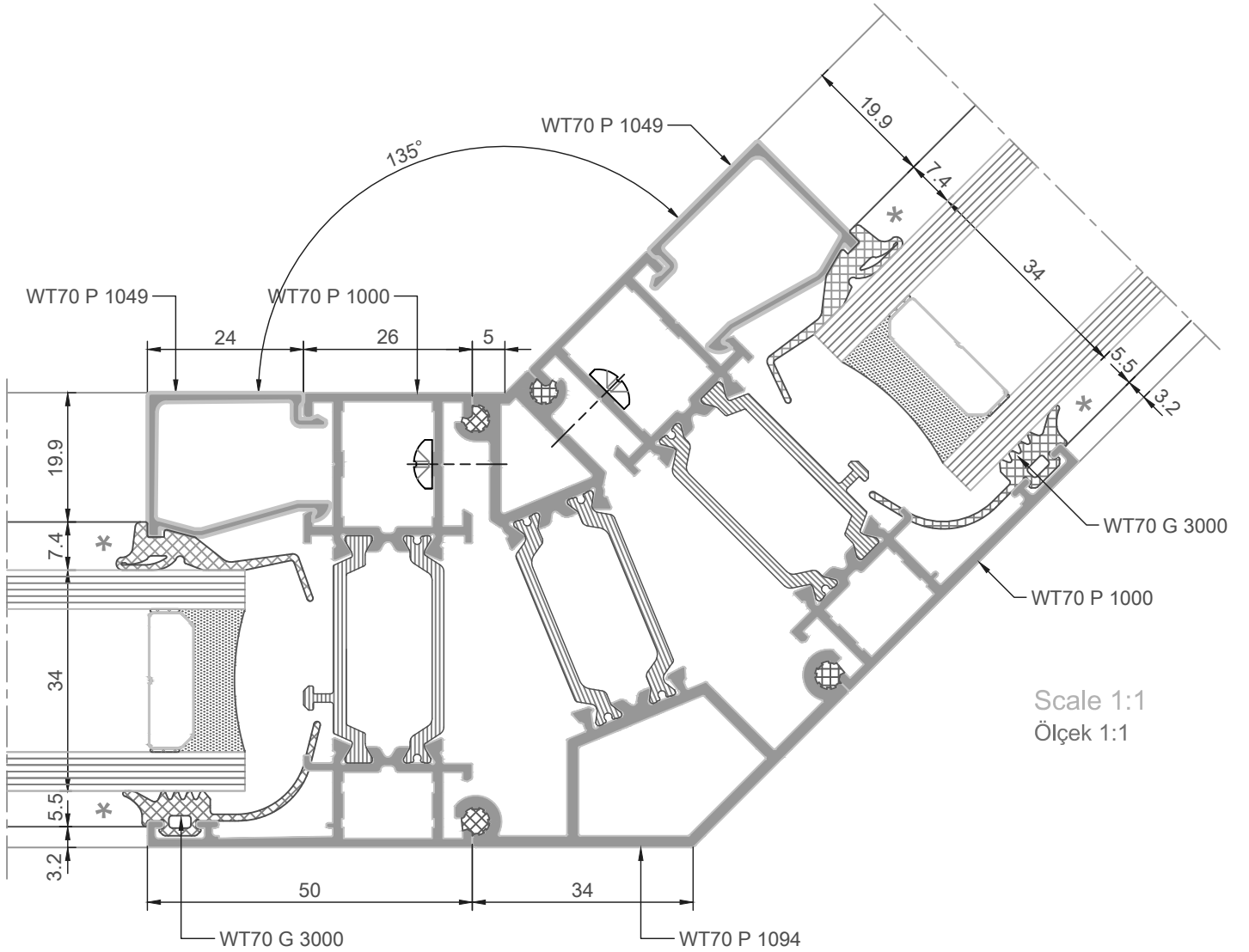


- * 135° OUTER CORNER
- * 135° DIŞ KÖŞE.



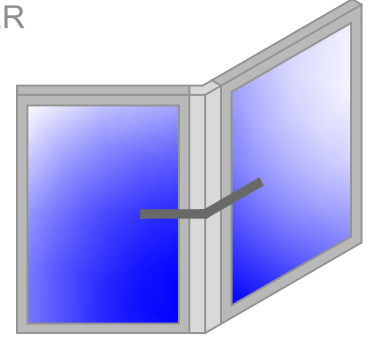
* see glazing beads table

*cam kombinasyon sayfasına bakınız.



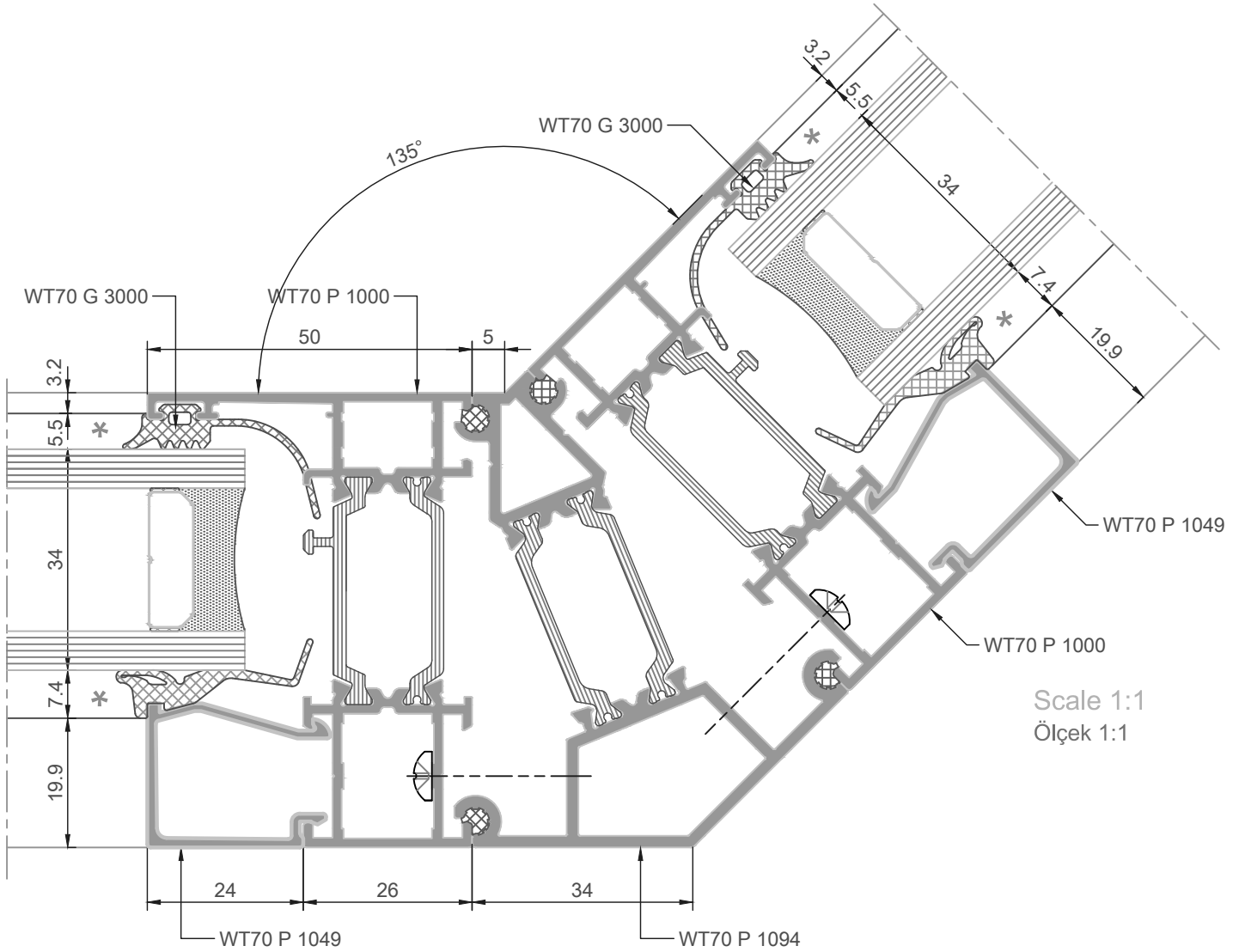
* 135° INNER CORNER

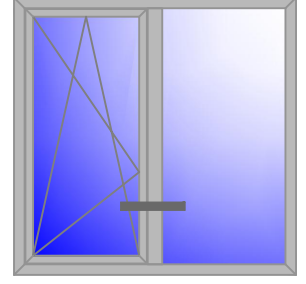
* 135° İÇ KÖŞE.



* see glazing beads table

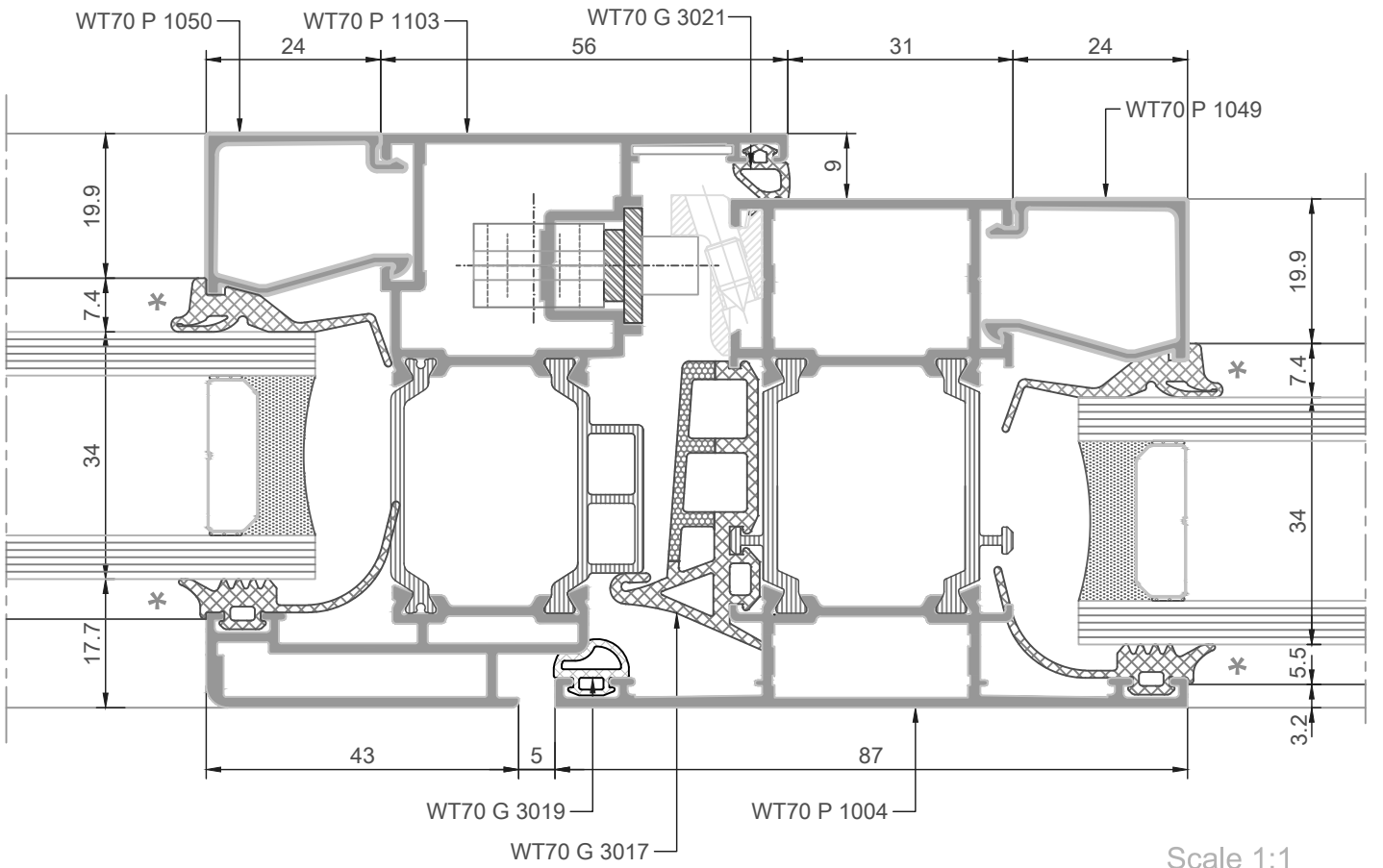
*cam kombinasyon sayfasına bakınız.



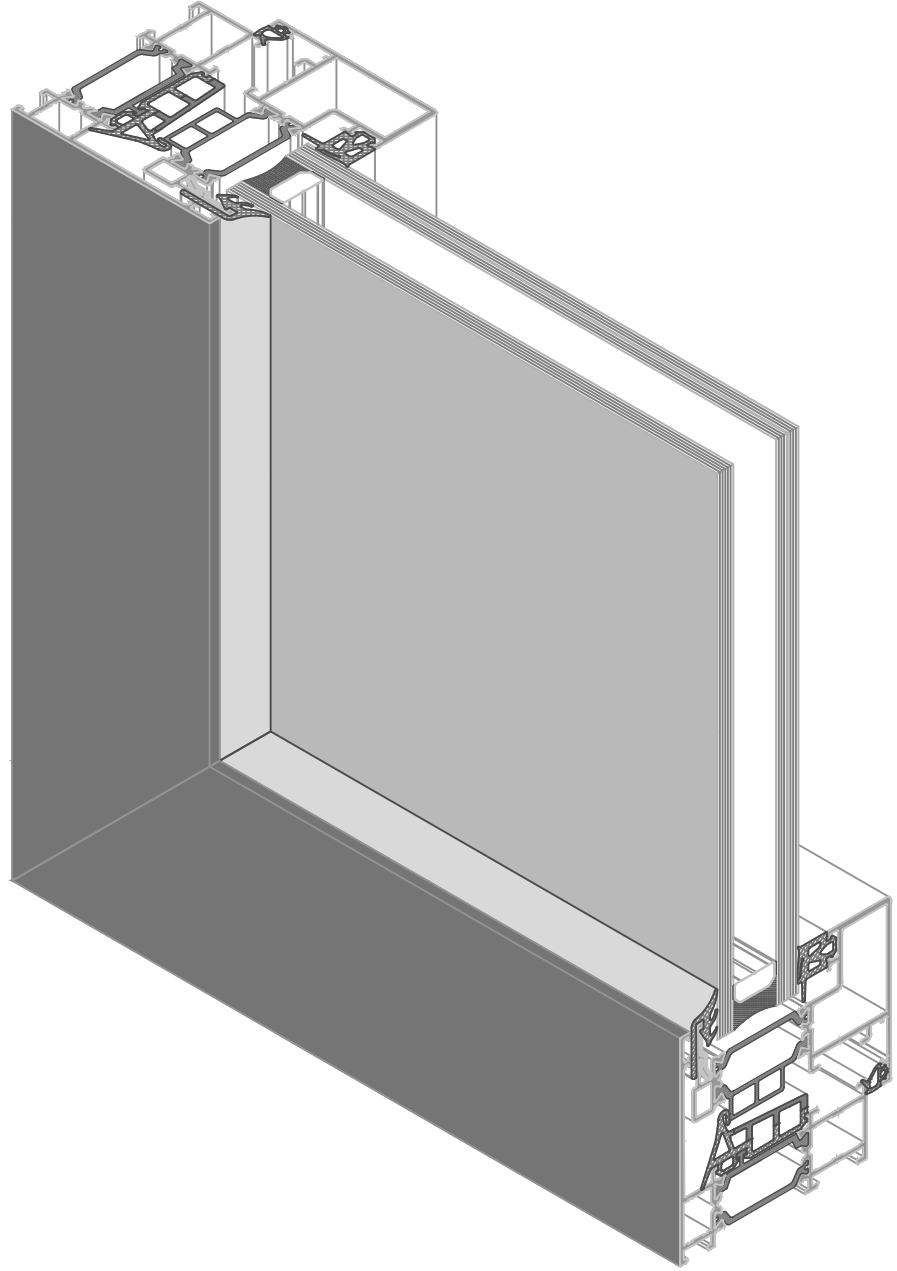


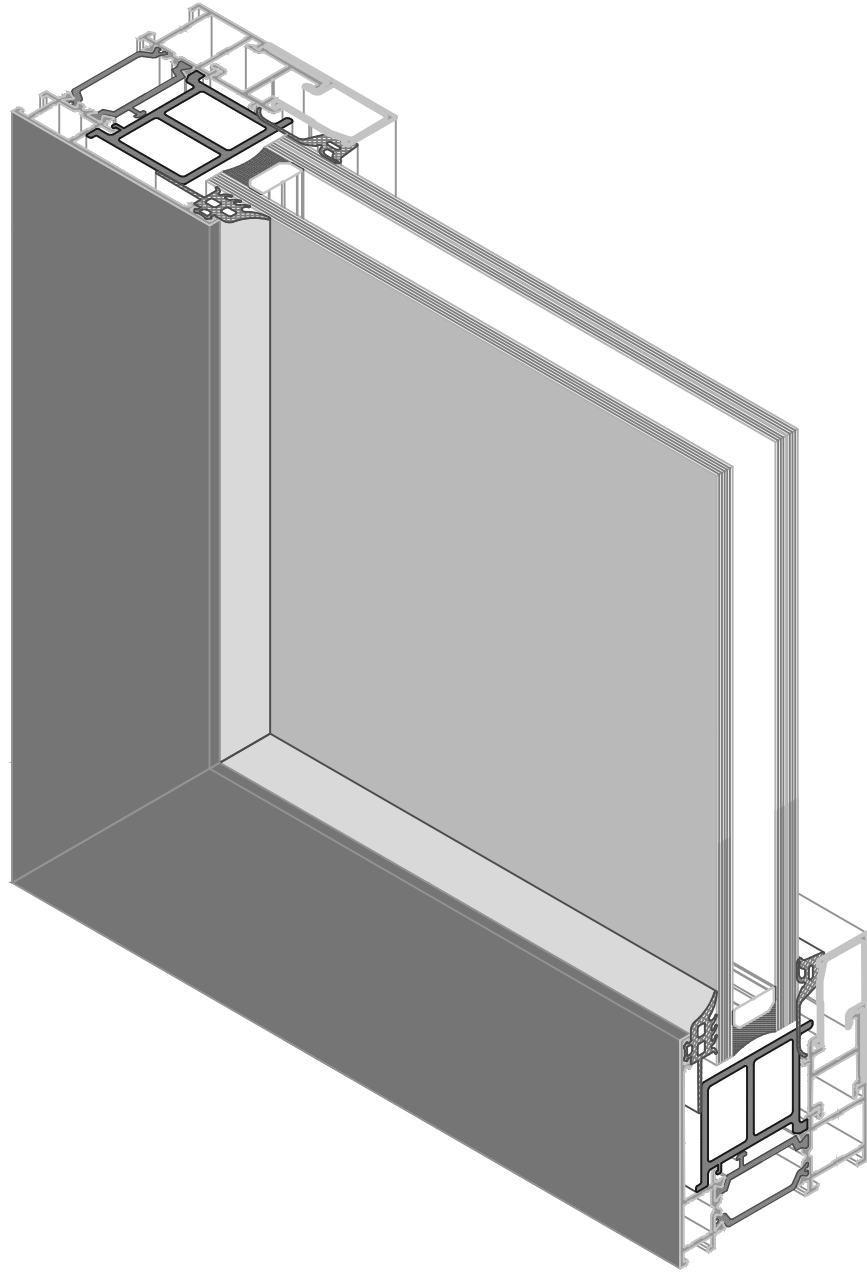
* see glazing beads table

*cam kombinasyon sayfasına bakınız.

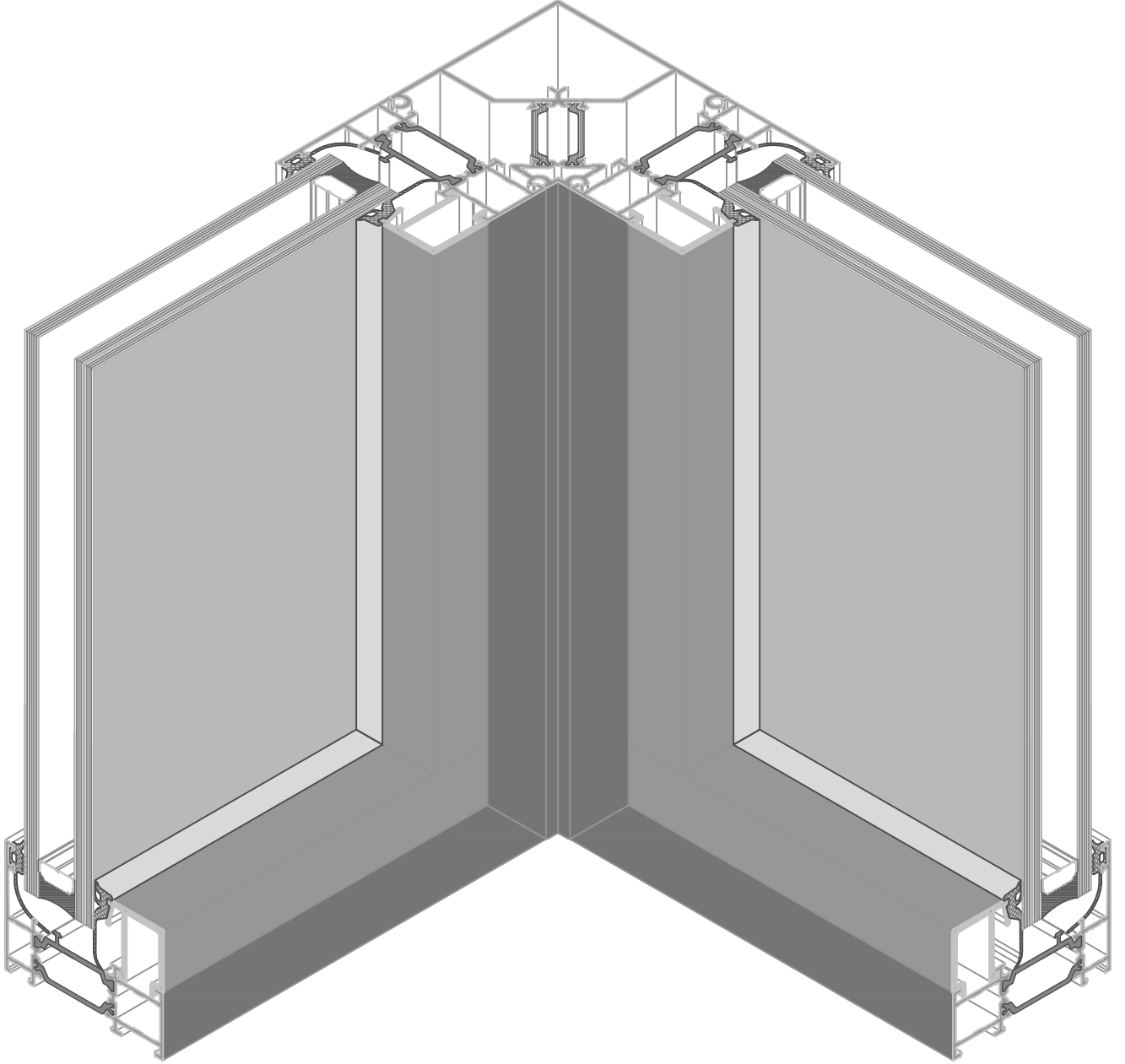


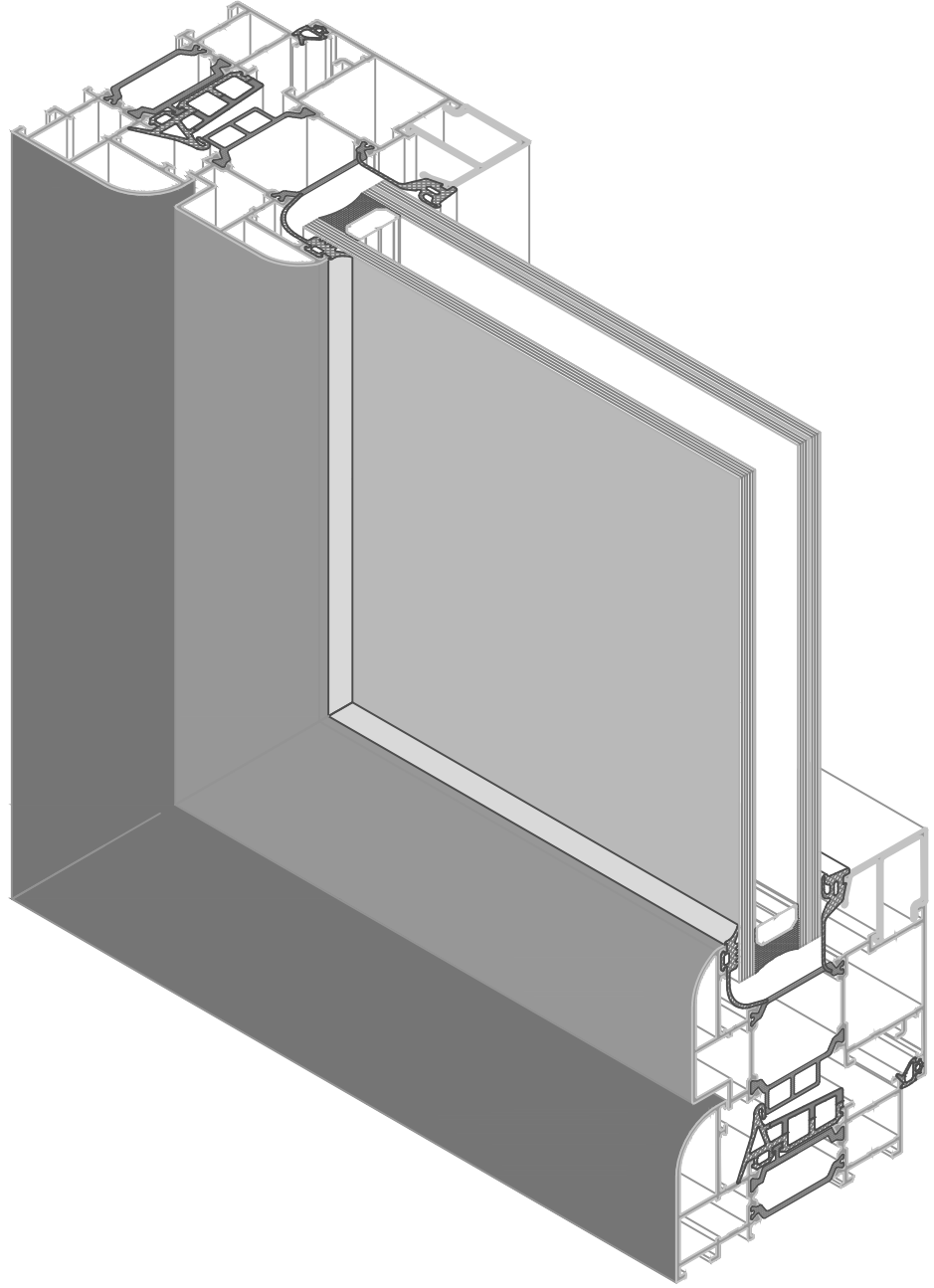
Scale 1:1
Ölçek 1:1

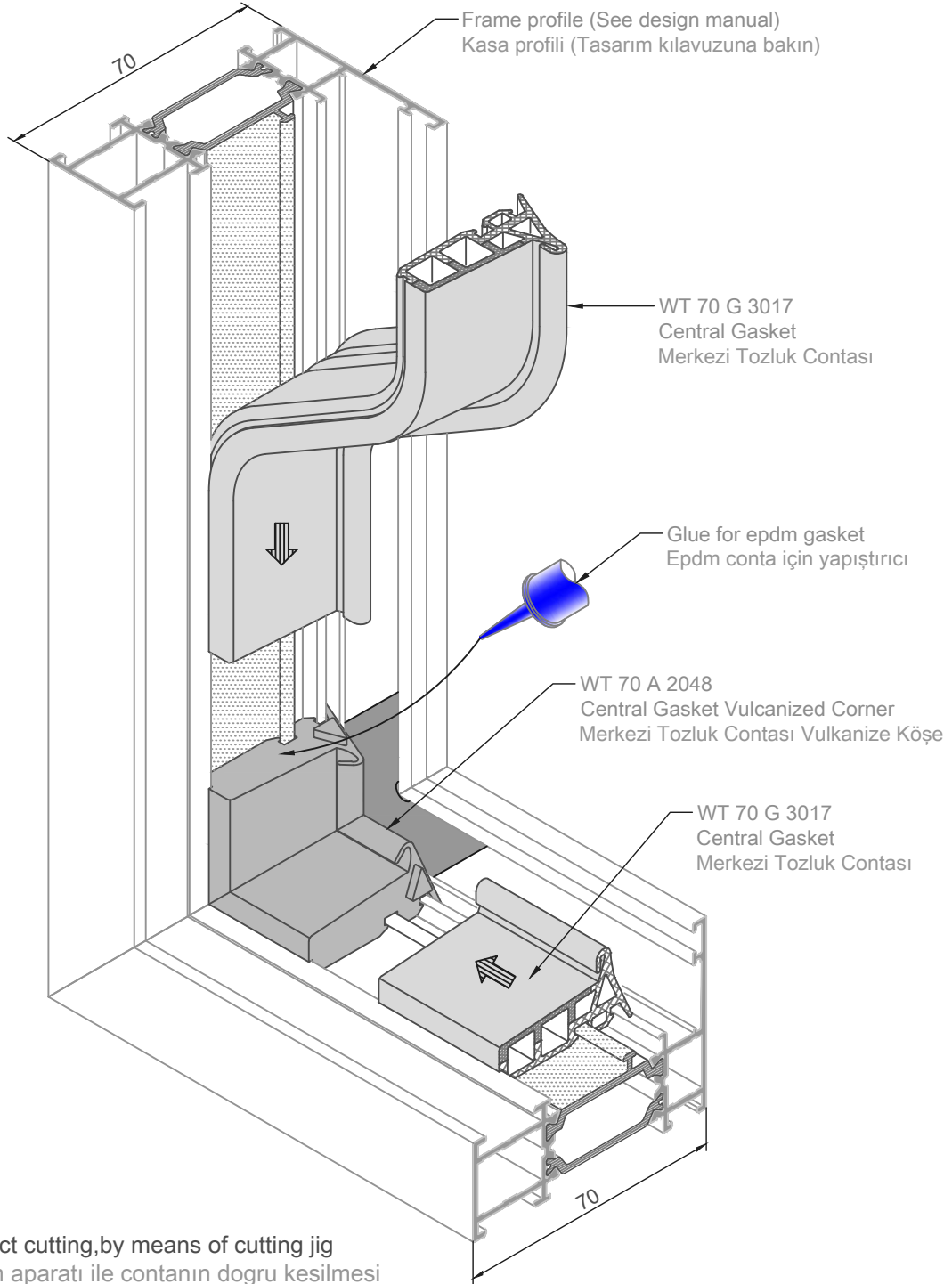




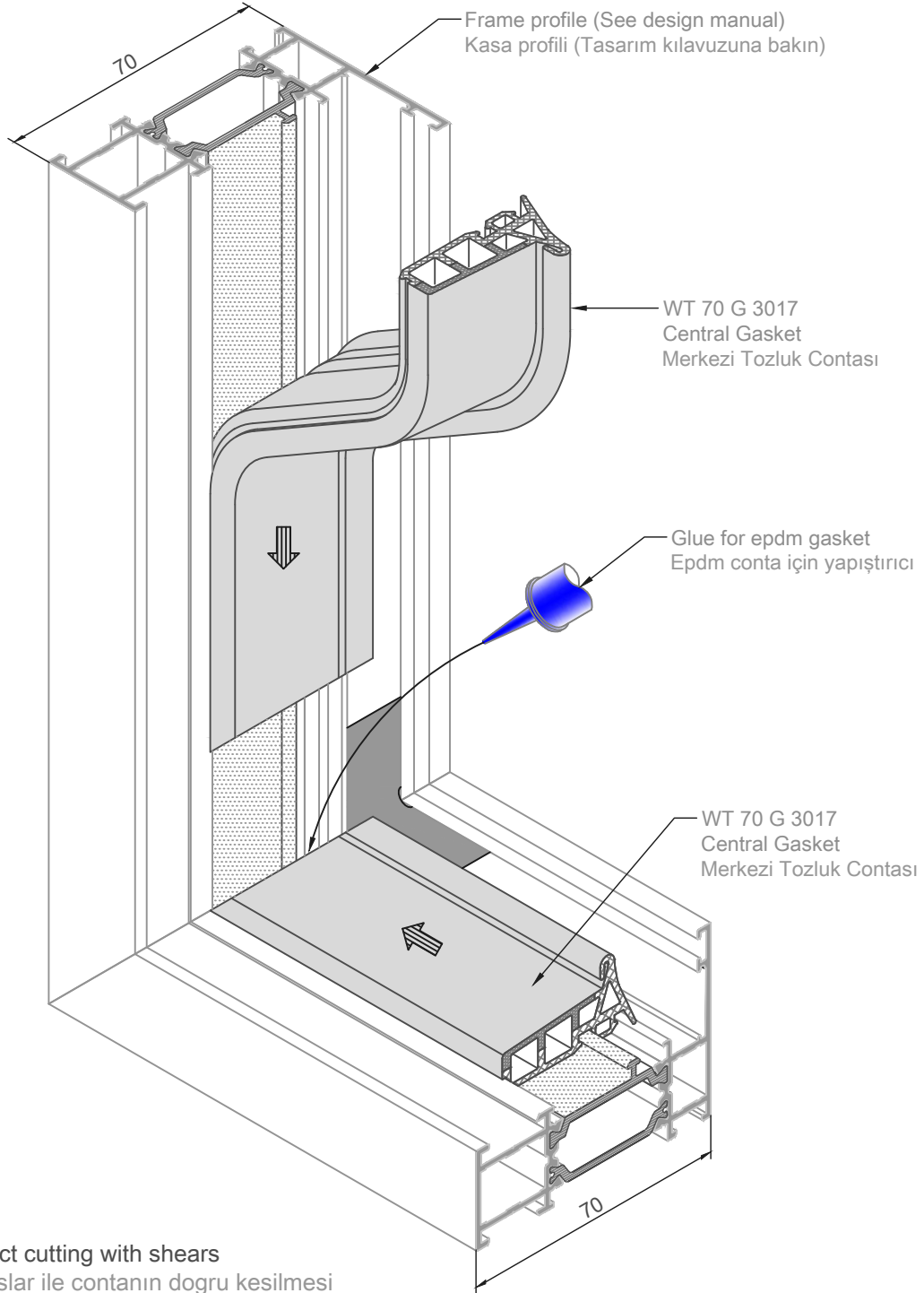
WT 70 WINDOWS and
DOORS SYSTEM
FABRICATION and CUTTING







- 1-Correct cutting,by means of cutting jig
Kesim aparatı ile contanın doğru kesilmesi
- 2-Necessary overhanging : $\pm 10\text{mm/m}$
Merkezi conta her metre başına $\pm 10\text{mm}$ uzun kesilmelidir.
- 3-Applying central gasket and compressing overhanging
Merkezi contayı sıkıştırma yapılarak yerine takılır.
- 4-Glueing mitres by means of glue for corner connections
Köşe conta ile birleşen conta uçları yapıştırılarak birleştirilmelidir.



1-Correct cutting with shears

Makaslar ile contanın doğru kesilmesi

2-Necessary overhanging : $\pm 10\text{mm/m}$

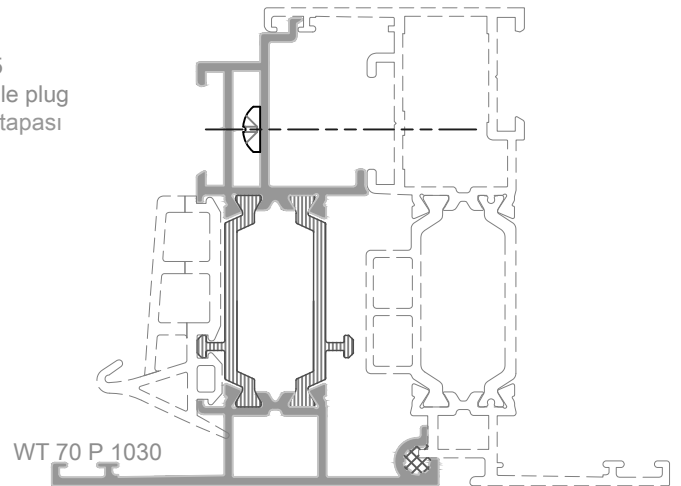
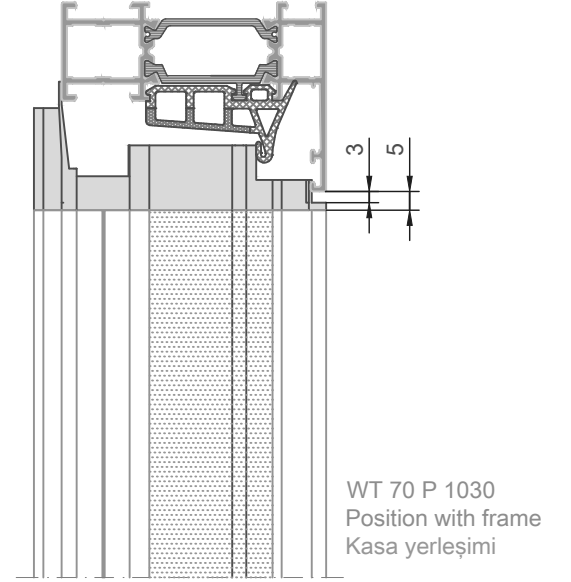
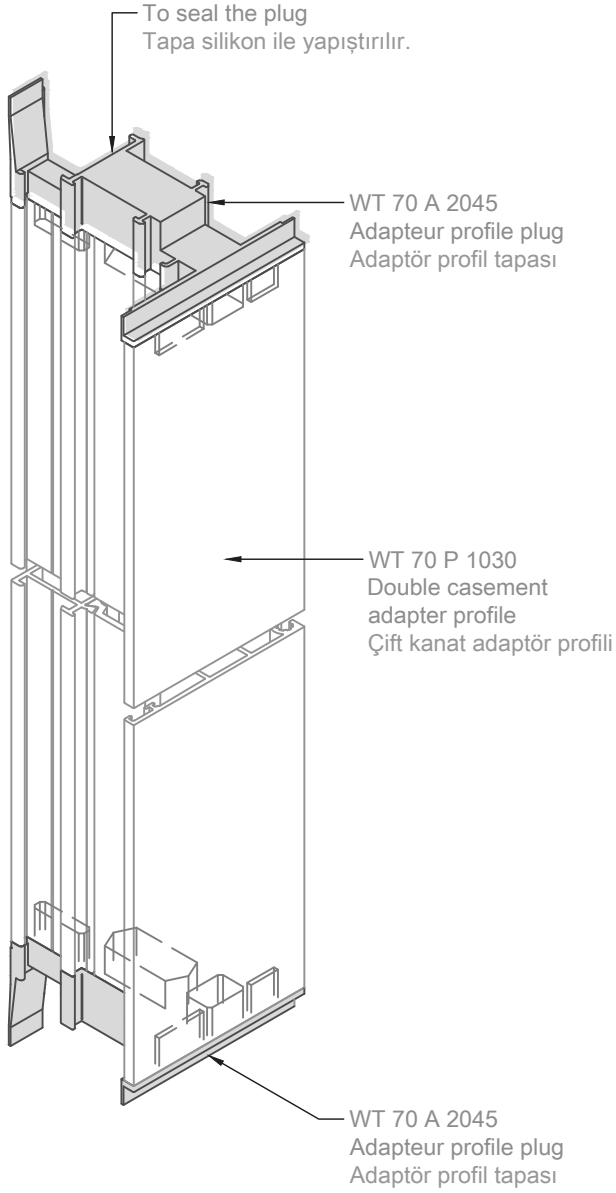
Merkezi conta her metre başına $\pm 10\text{mm}$ uzun kesilmelidir.

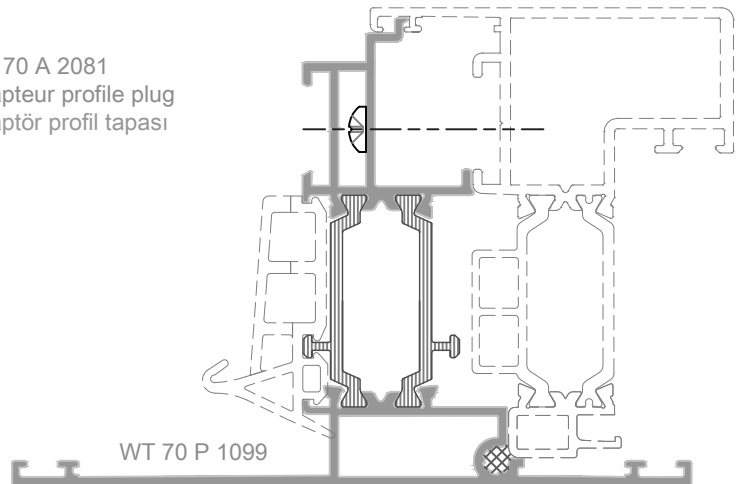
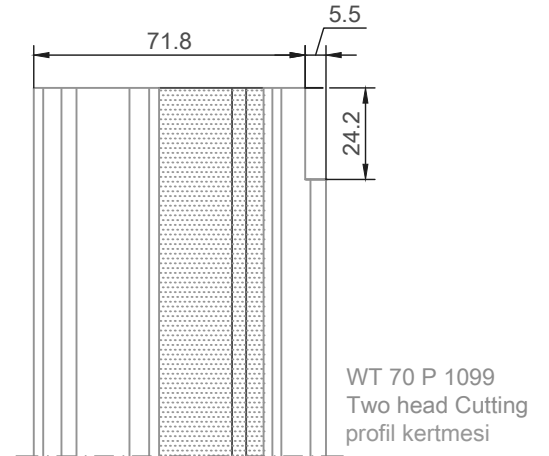
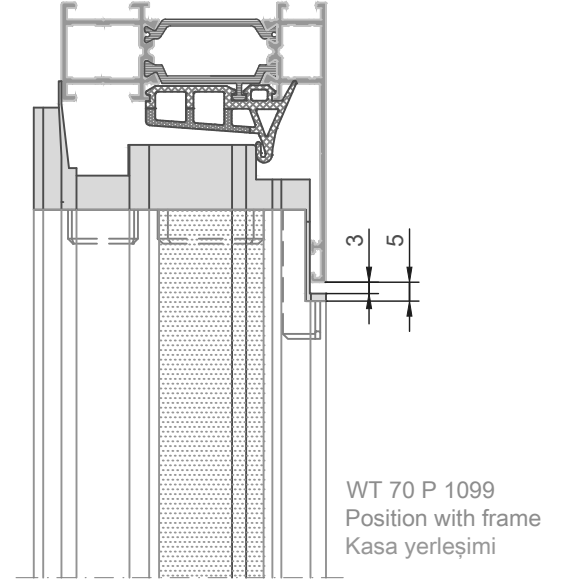
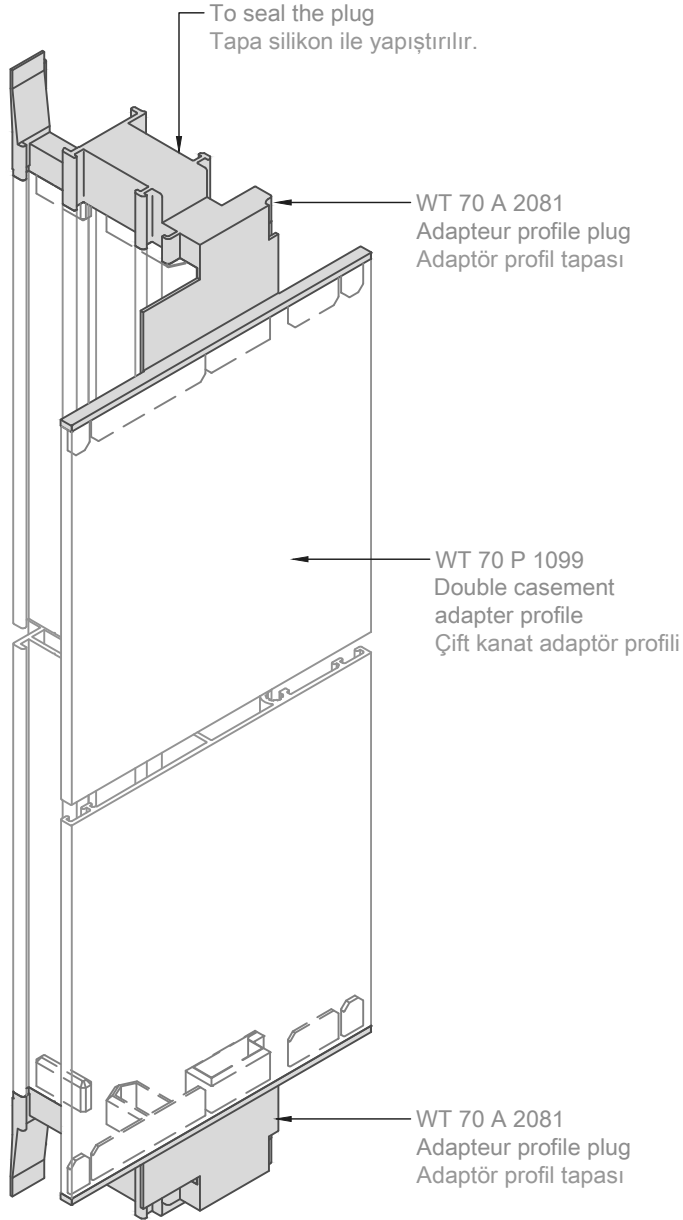
3-Applying central gasket and compressing overhanging

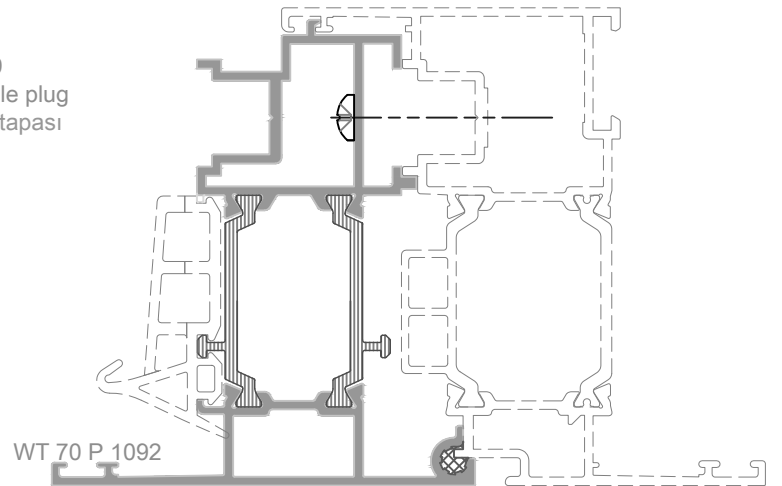
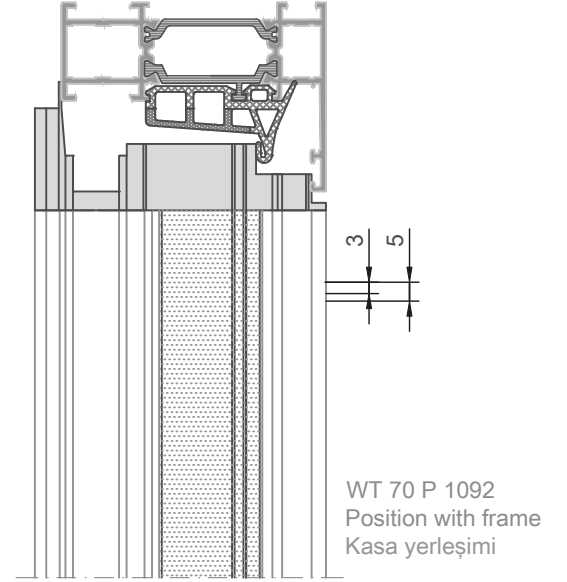
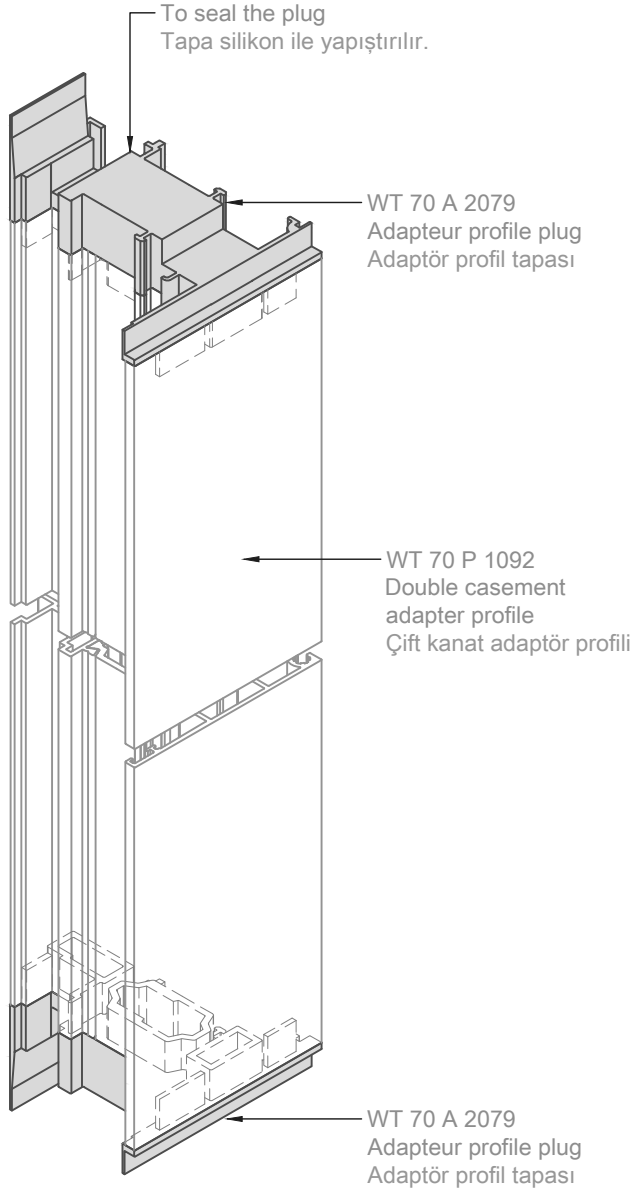
Merkezi contayı sıkıştırma yapılarak yerine takılır.

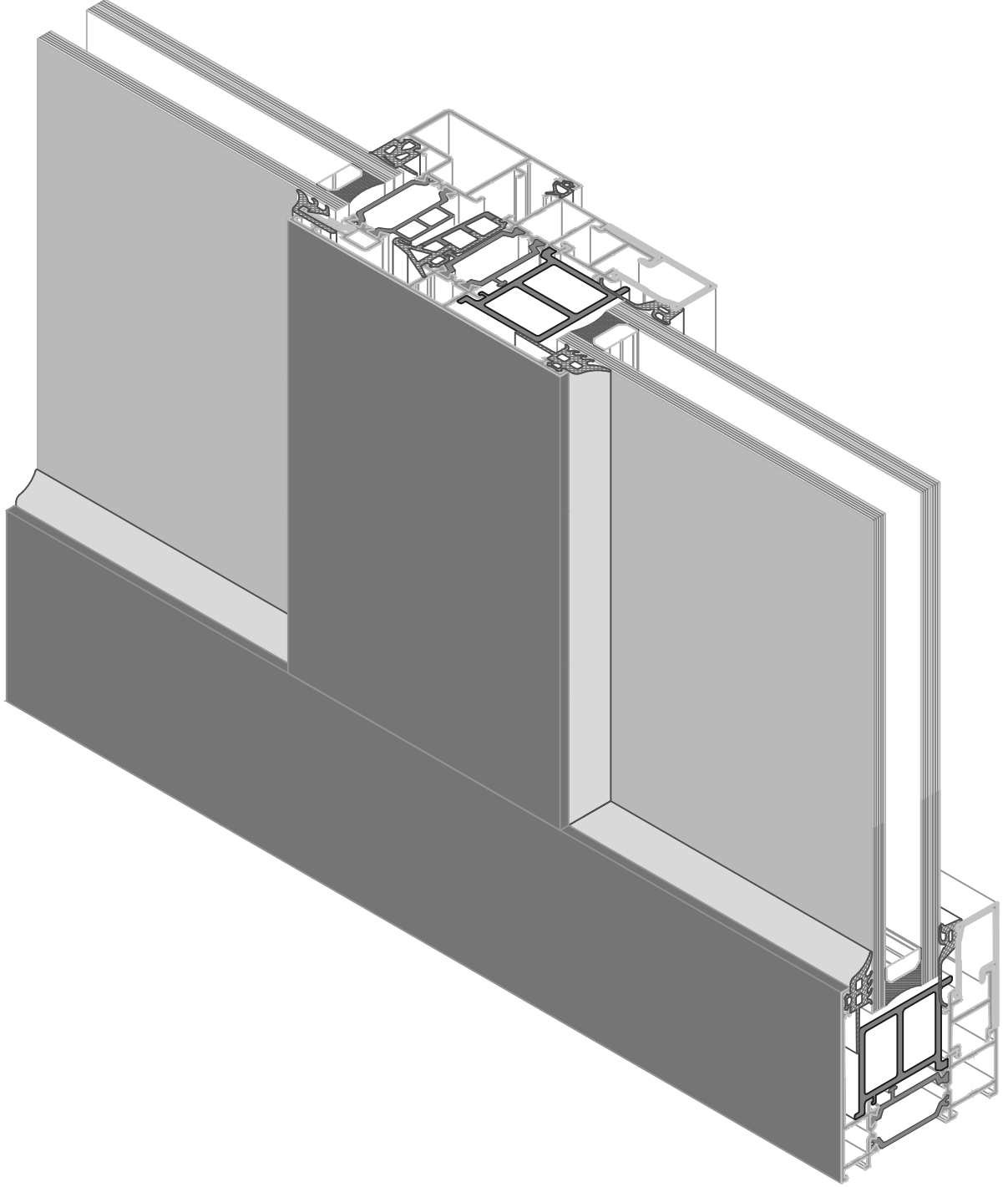
4-Glueing mitres by means of glue for corner connections

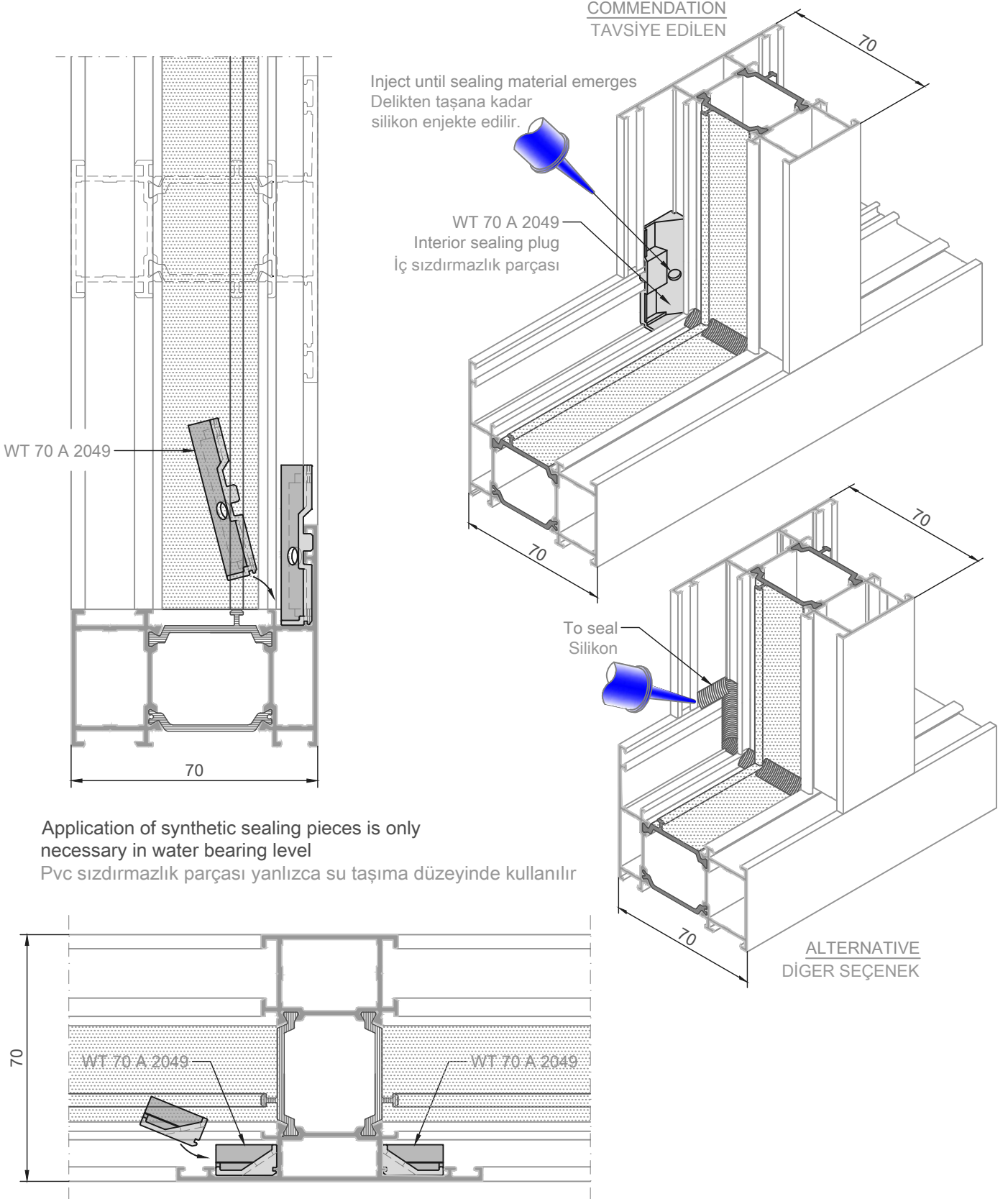
Köşeli birleşen conta uçları yapıştırılarak birleştirilmelidir.

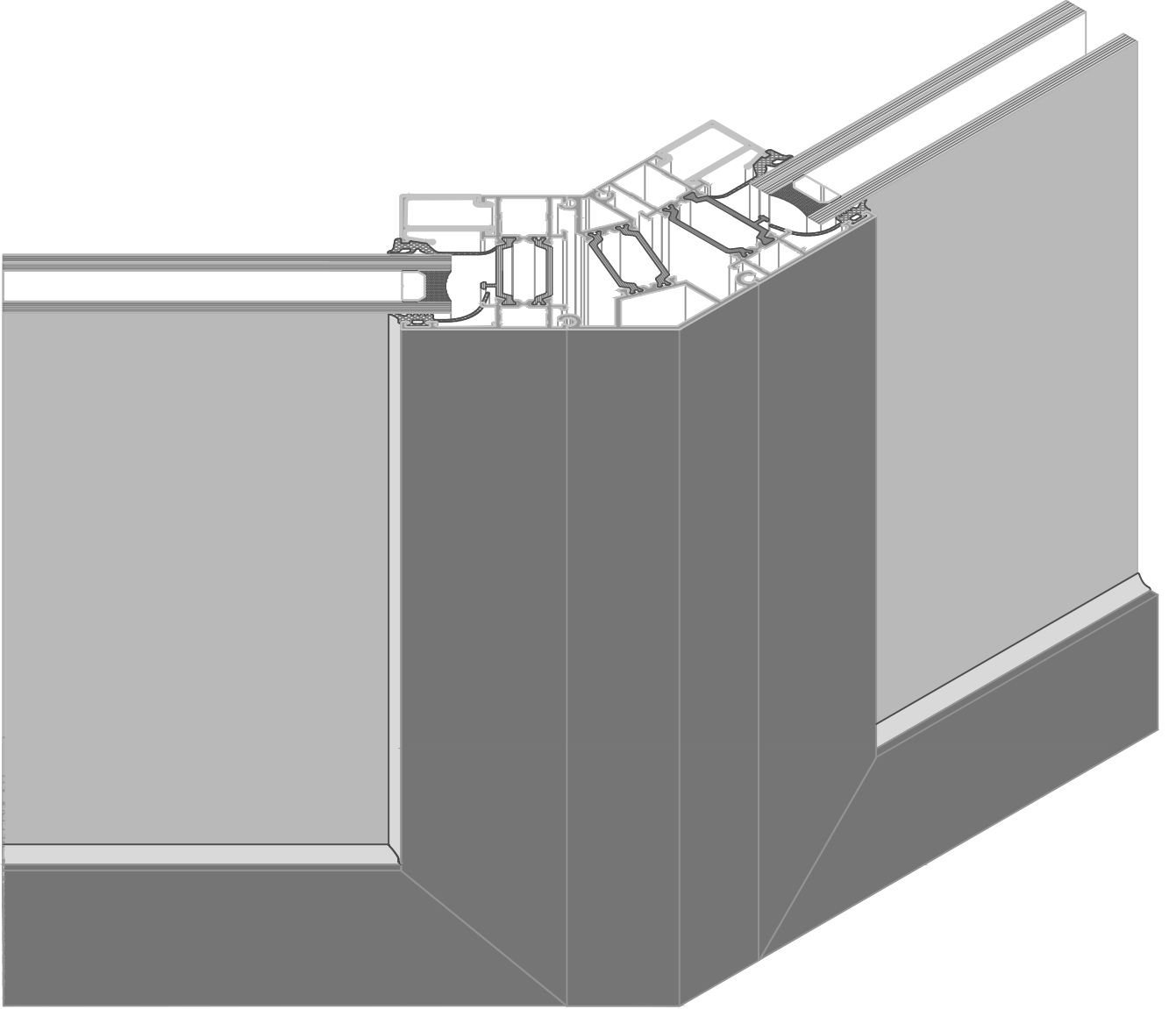


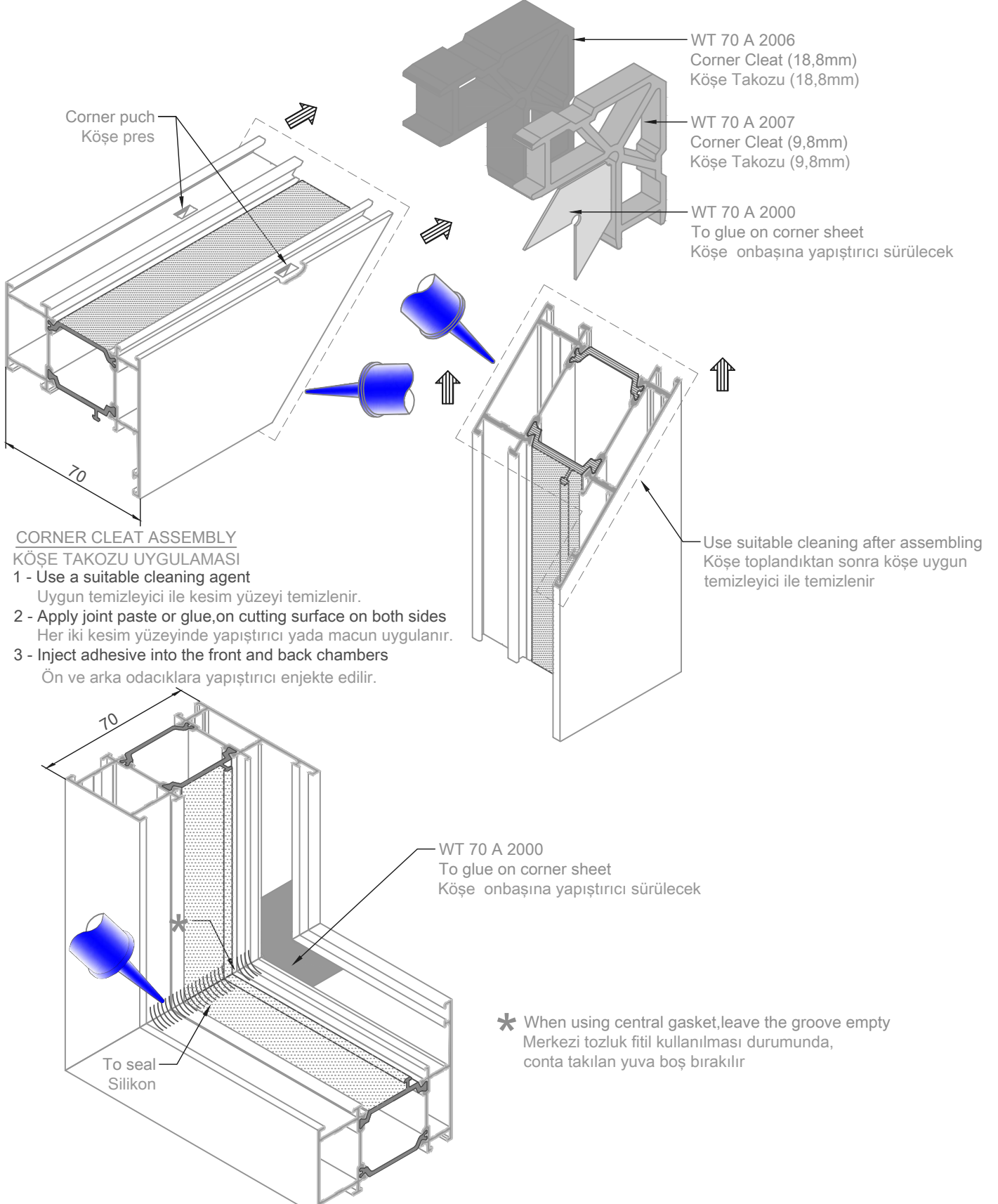


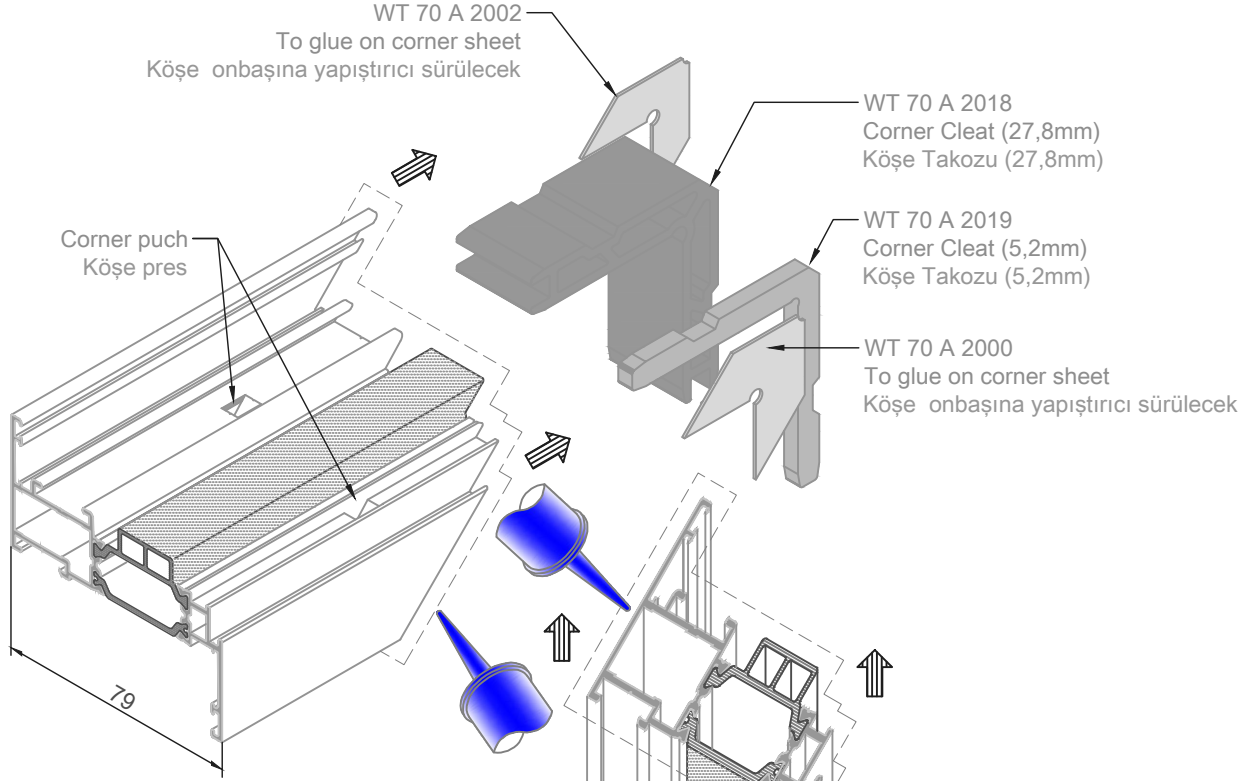








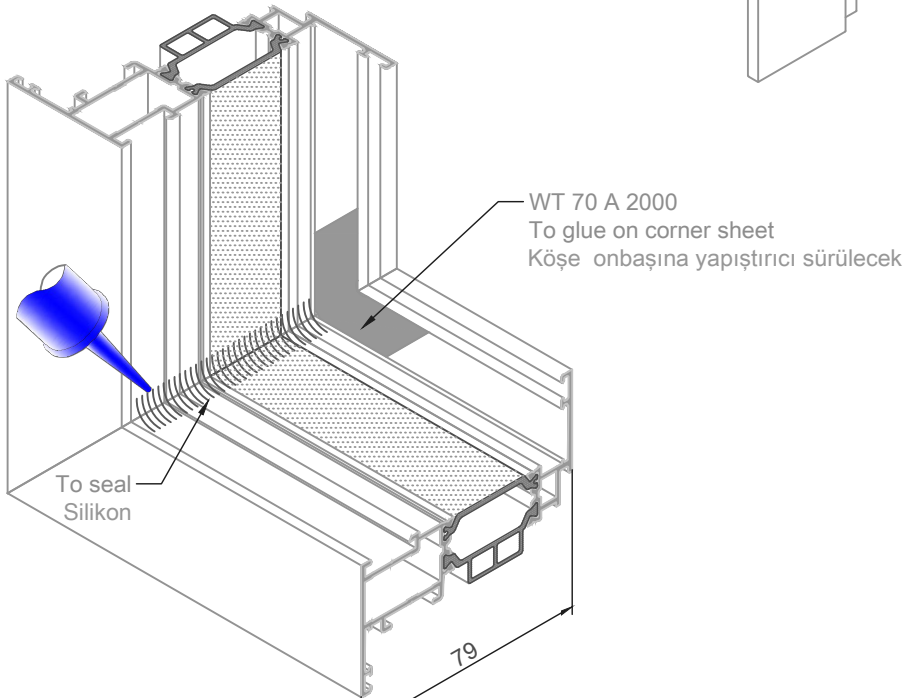


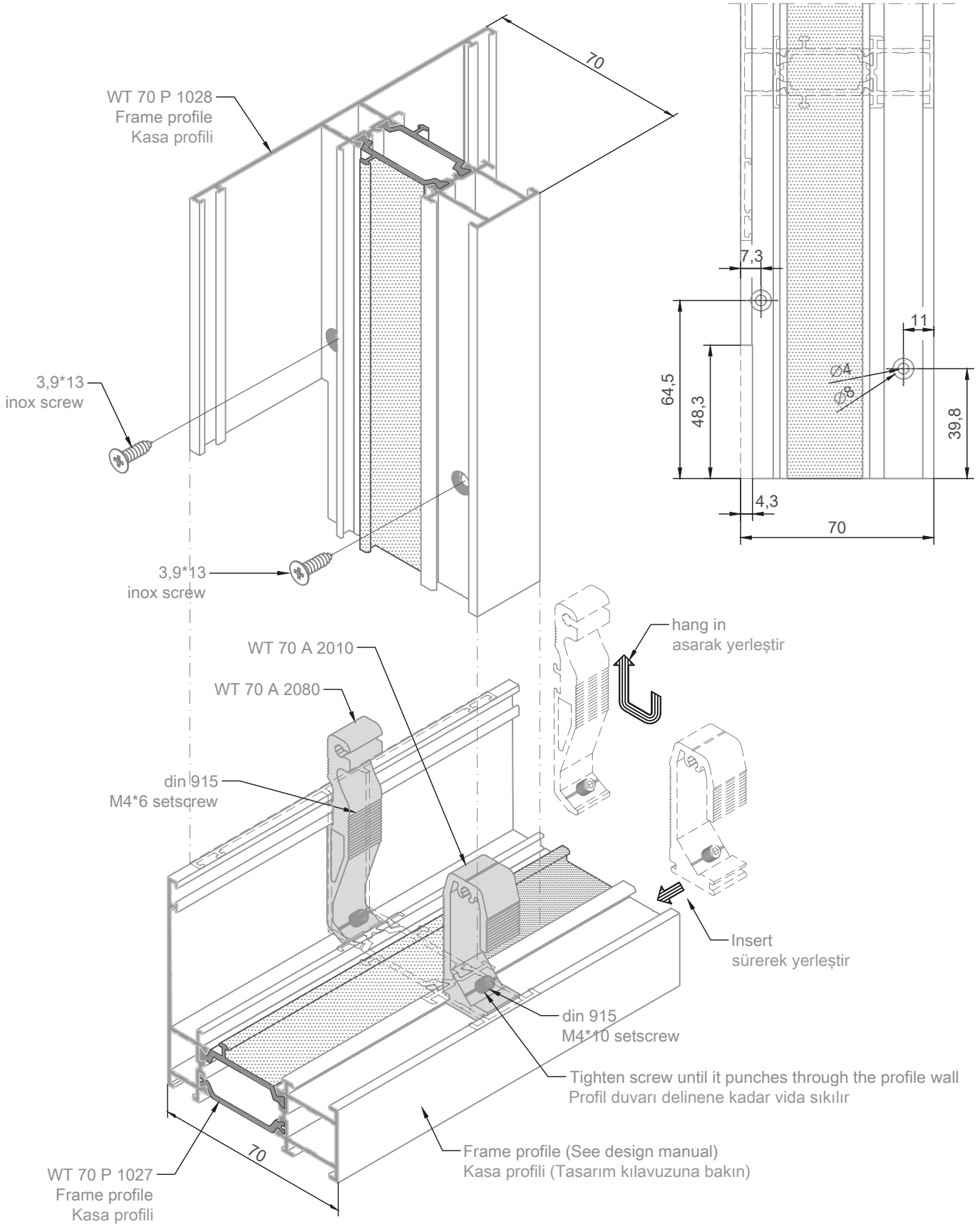


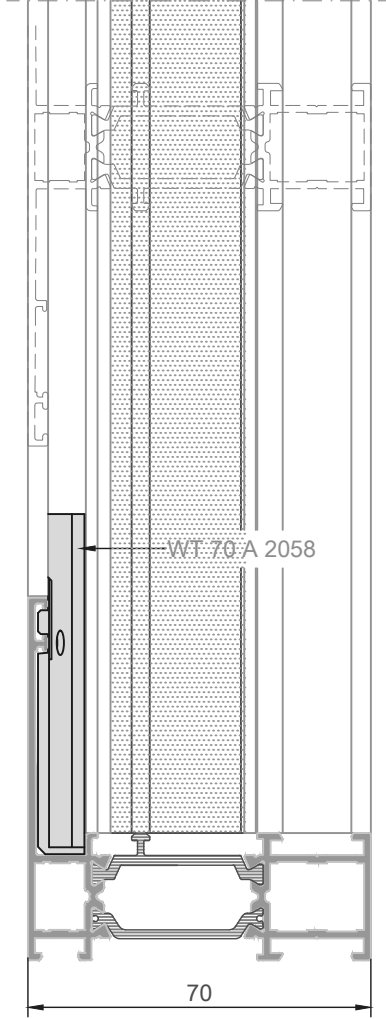
CORNER CLEAT ASSEMBLY KÖŞE TAKOZU UYGULAMASI

- 1 - Use a suitable cleaning agent
Uygun temizleyici ile kesim yüzeyi temizlenir.
- 2 - Apply joint paste or glue, on cutting surface on both sides
Her iki kesim yüzeyinde yapıştırıcı yada macun uygulanır.
- 3 - Inject adhesive into the front and back chambers
Ön ve arka odacıklara yapıştırıcı enjekte edilir.

Use suitable cleaning after assembling
Köşe toplandıktan sonra köşe uygun temizleyici ile temizlenir





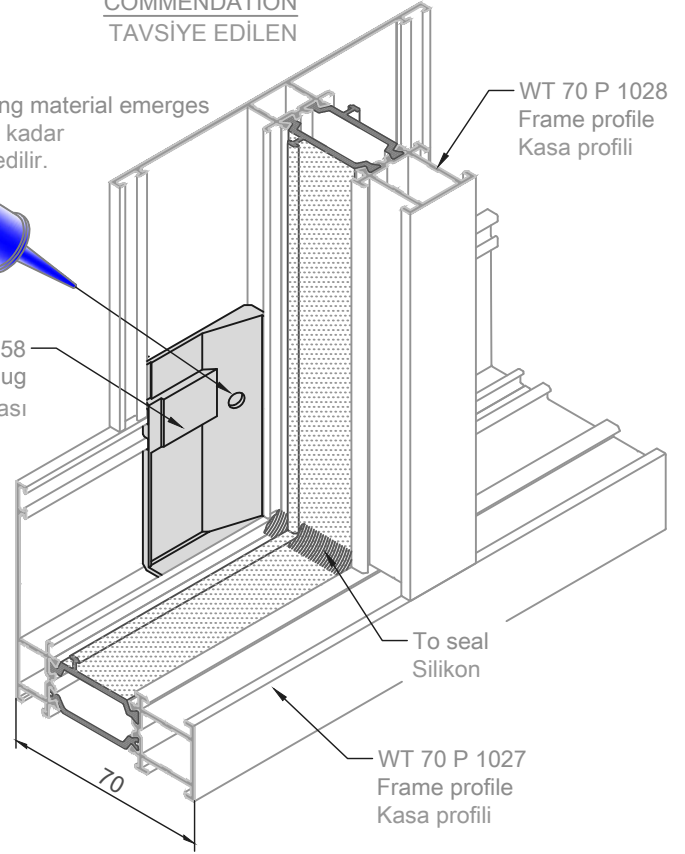


COMMENDATION TAVSİYE EDİLEN

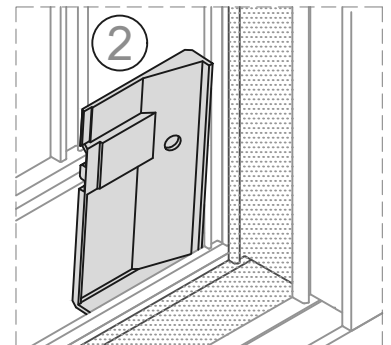
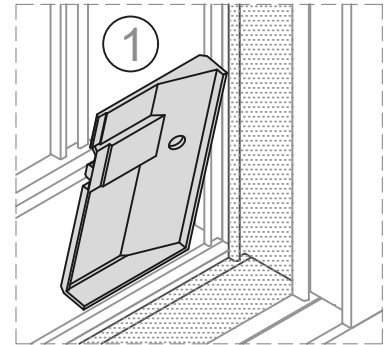
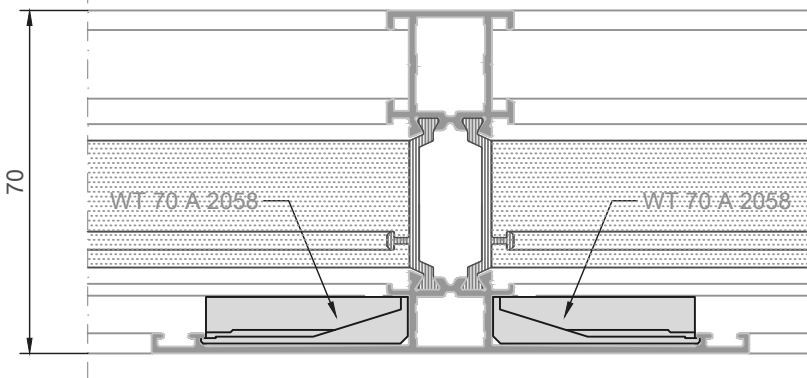
Inject until sealing material emerges
Delikten taşana kadar
silikon enjekte edilir.

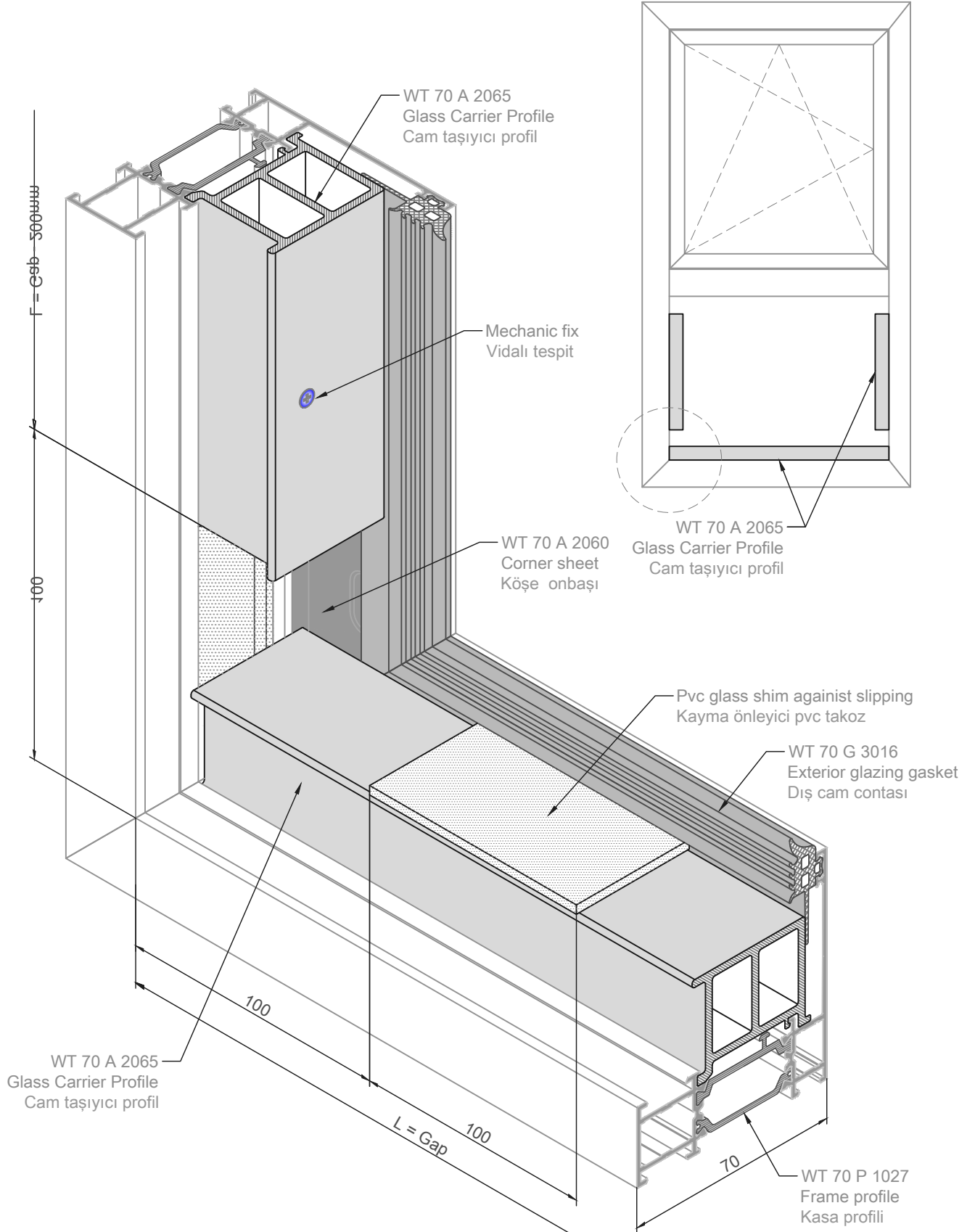


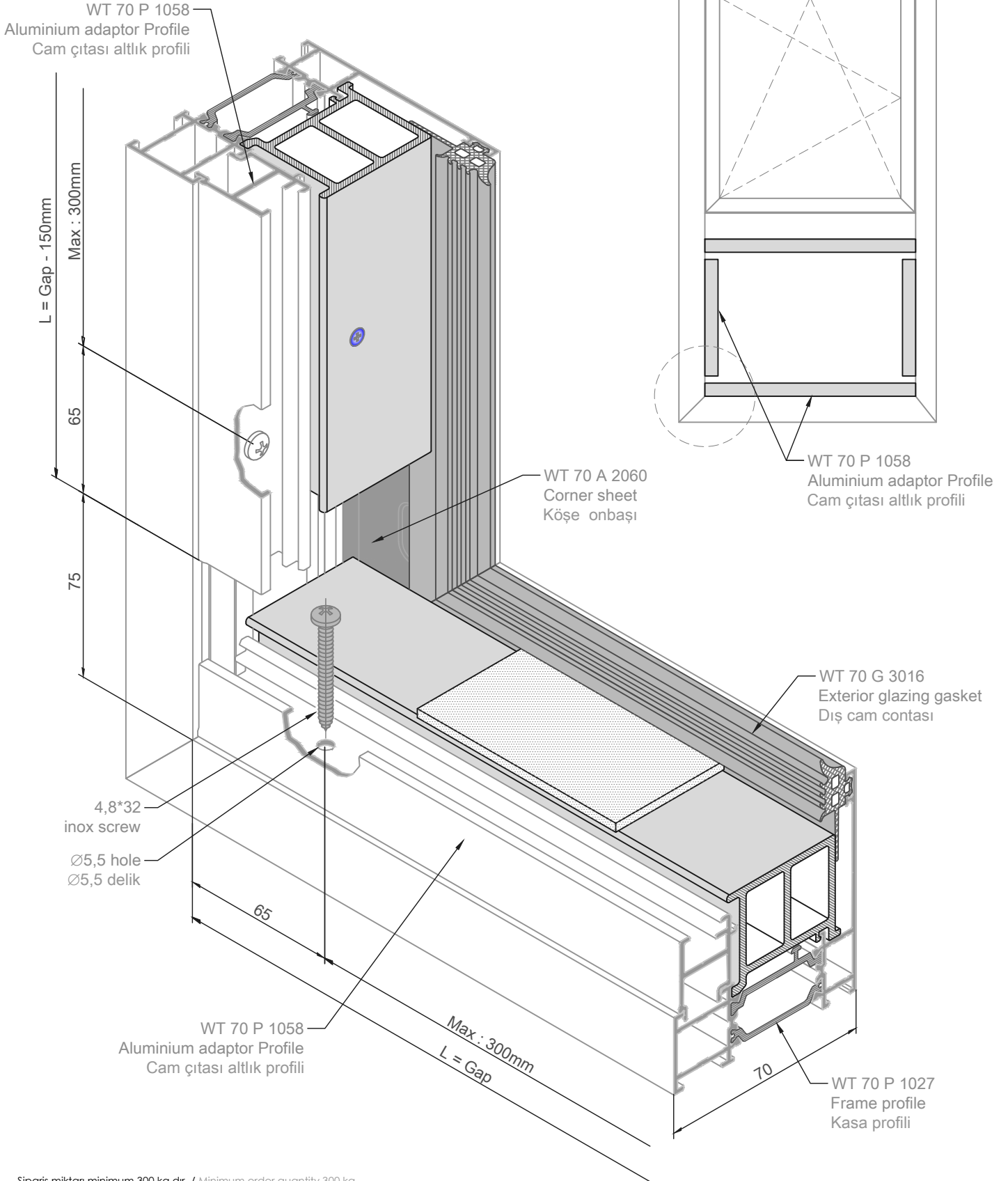
WT 70 A 2058
Interior sealing plug
İç sızdırmazlık parçası

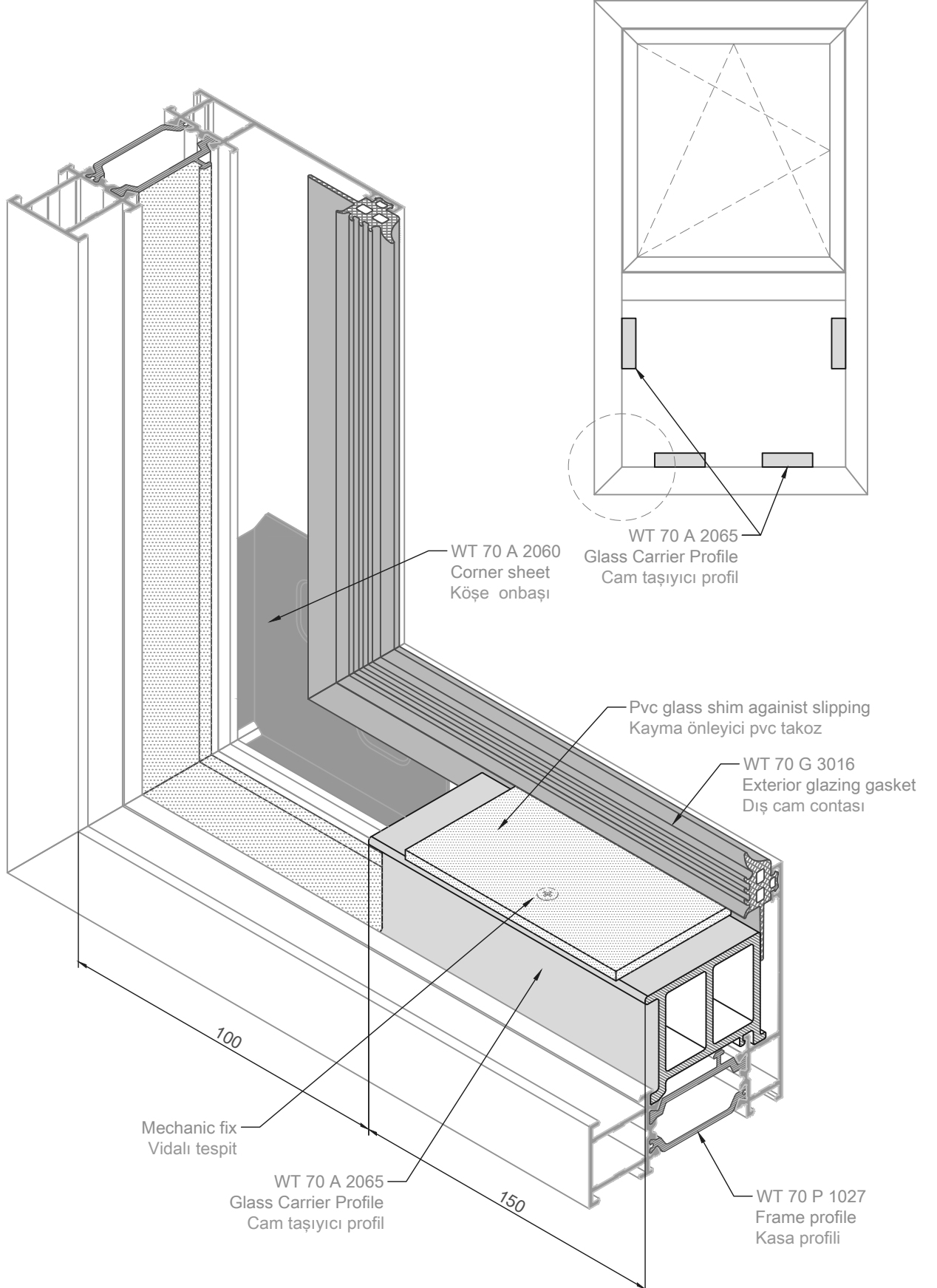


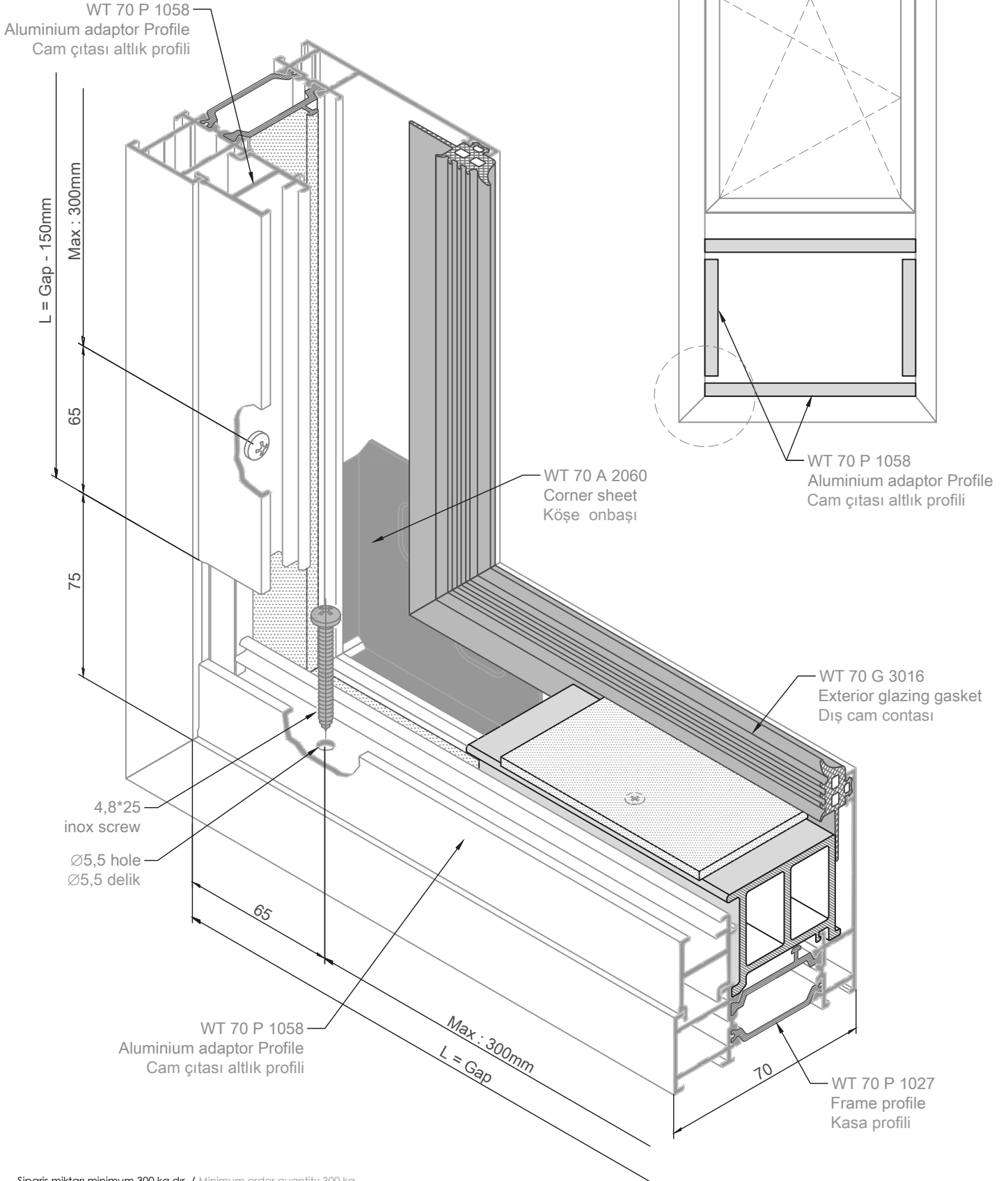
Application of synthetic sealing pieces is only
necessary in water bearing level
Pvc sızdırmazlık parçası yalnızca su taşıma düzeyinde kullanılır

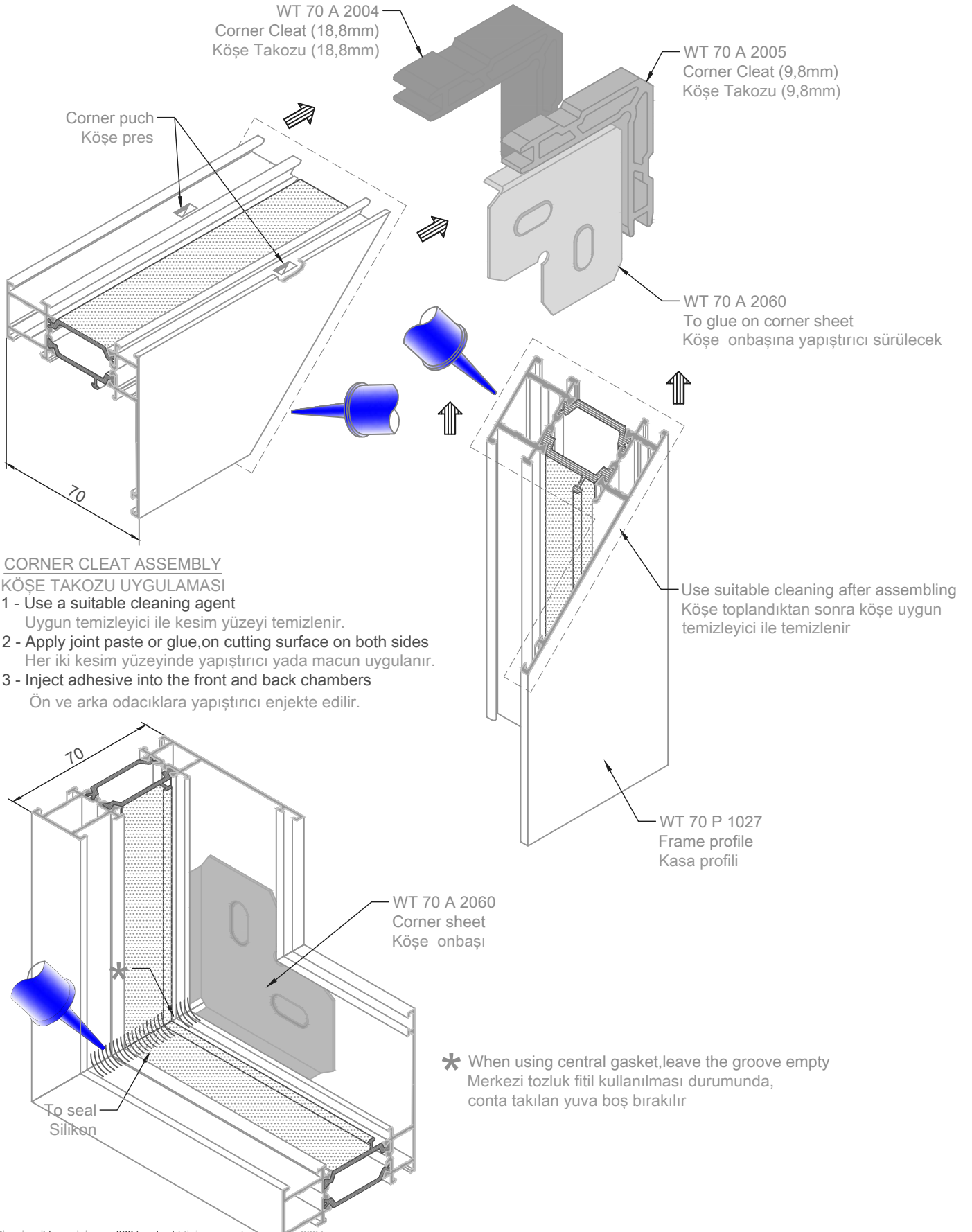








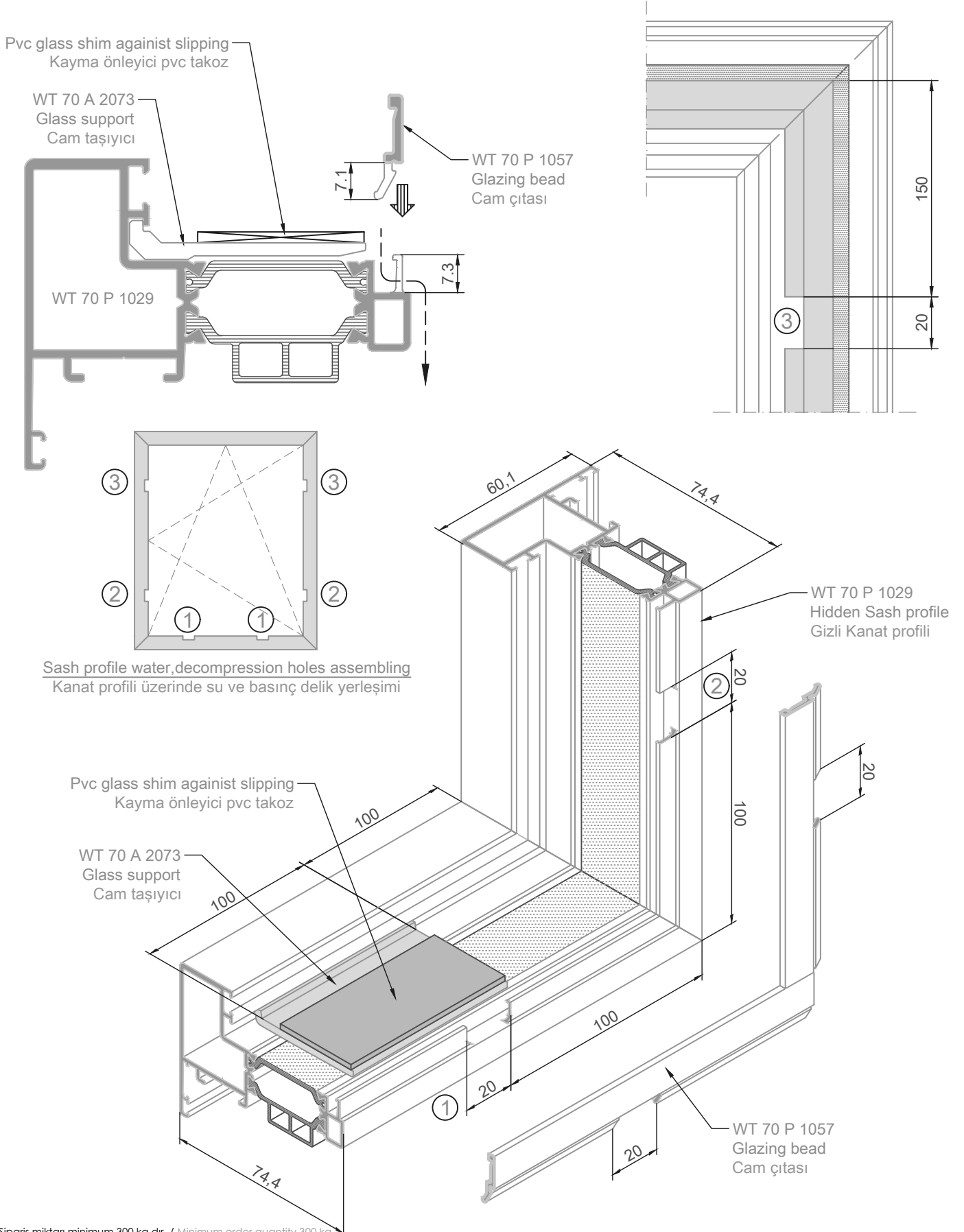


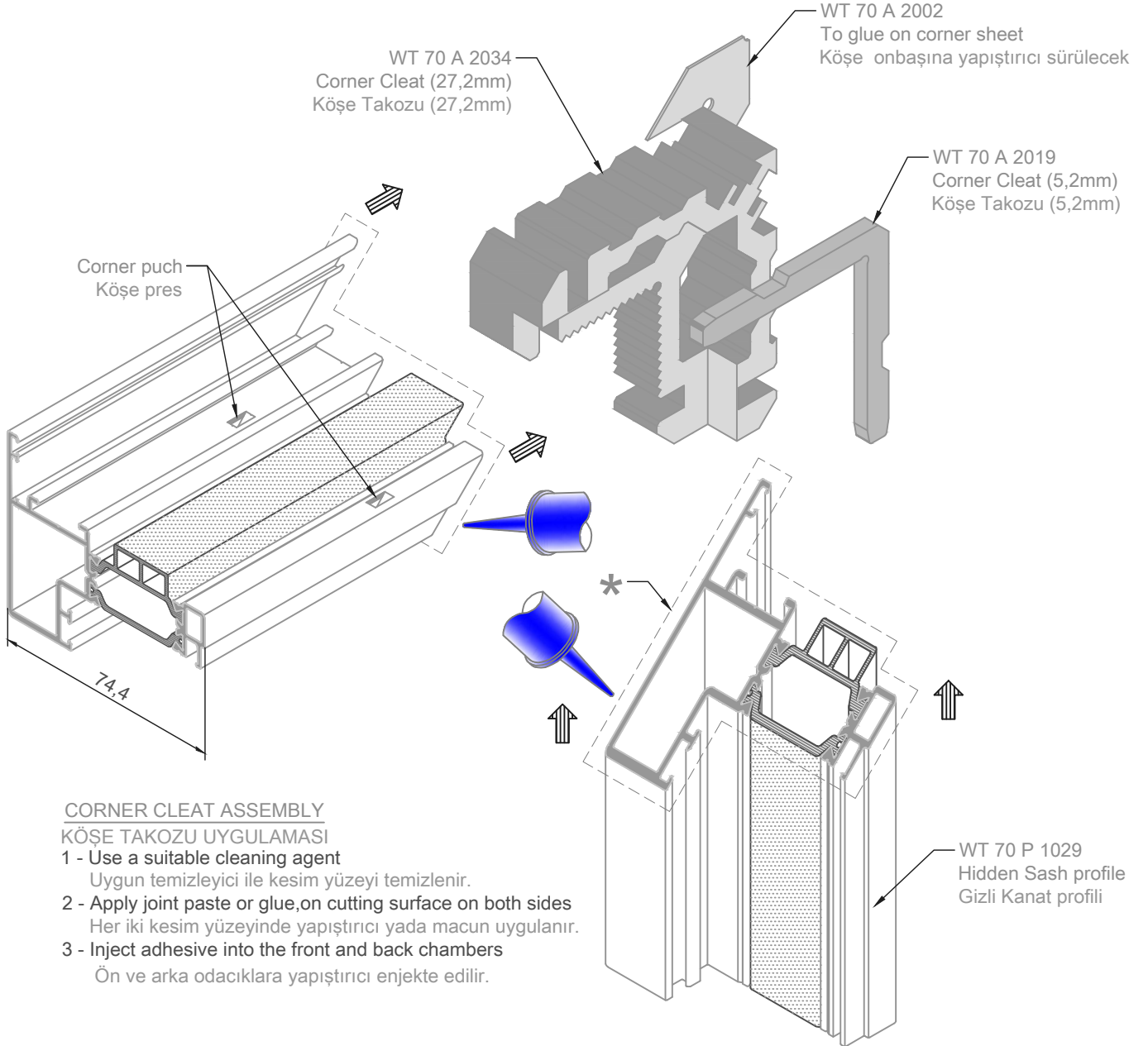


CORNER CLEAT ASSEMBLY

KÖŞE TAKOZU UYGULAMASI

- 1 - Use a suitable cleaning agent
Uygun temizleyici ile kesim yüzeyi temizlenir.
- 2 - Apply joint paste or glue, on cutting surface on both sides
Her iki kesim yüzeyinde yapıştırıcı yada macun uygulanır.
- 3 - Inject adhesive into the front and back chambers
Ön ve arka odacıklara yapıştırıcı enjekte edilir.



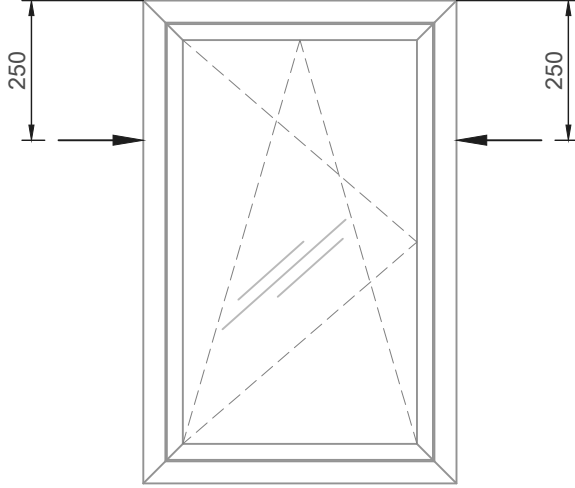


CORNER CLEAT ASSEMBLY

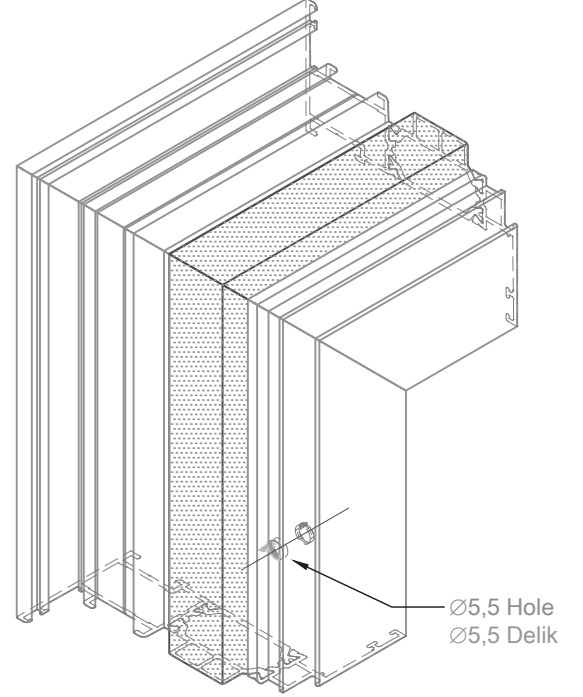
KÖŐE TAKOĐU UYGULAMASI

- 1 - Use a suitable cleaning agent
Uygun temizleyici ile kesim yüzeyi temizlenir.
- 2 - Apply joint paste or glue, on cutting surface on both sides
Her iki kesim yüzeyinde yapıřtırıcı yada macun uygulanır.
- 3 - Inject adhesive into the front and back chambers
Ön ve arka odacıklara yapıřtırıcı enjekte edilir.

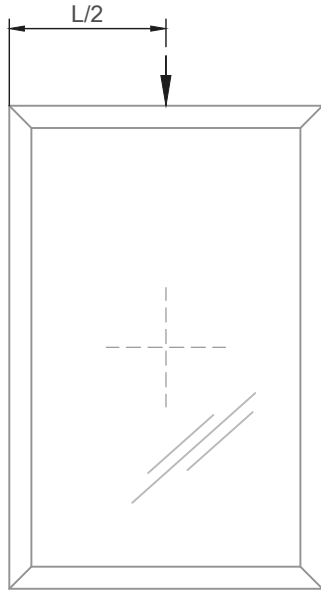
* Use suitable cleaning after assembling
Köőe toplandıktan sonra köőe uygun
temizleyici ile temizlenir



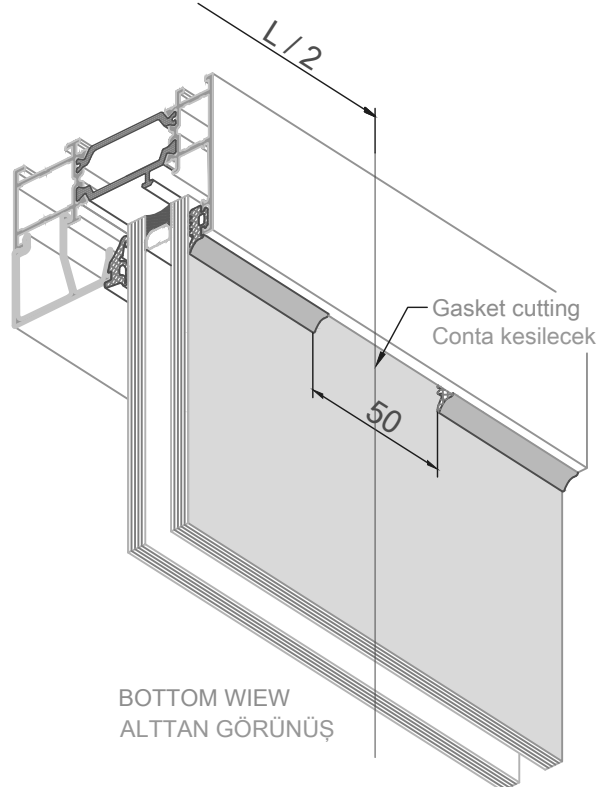
DECOMPRESSION IN SASH
KANAT ÜZERİNDE BASINÇ Dengeleme



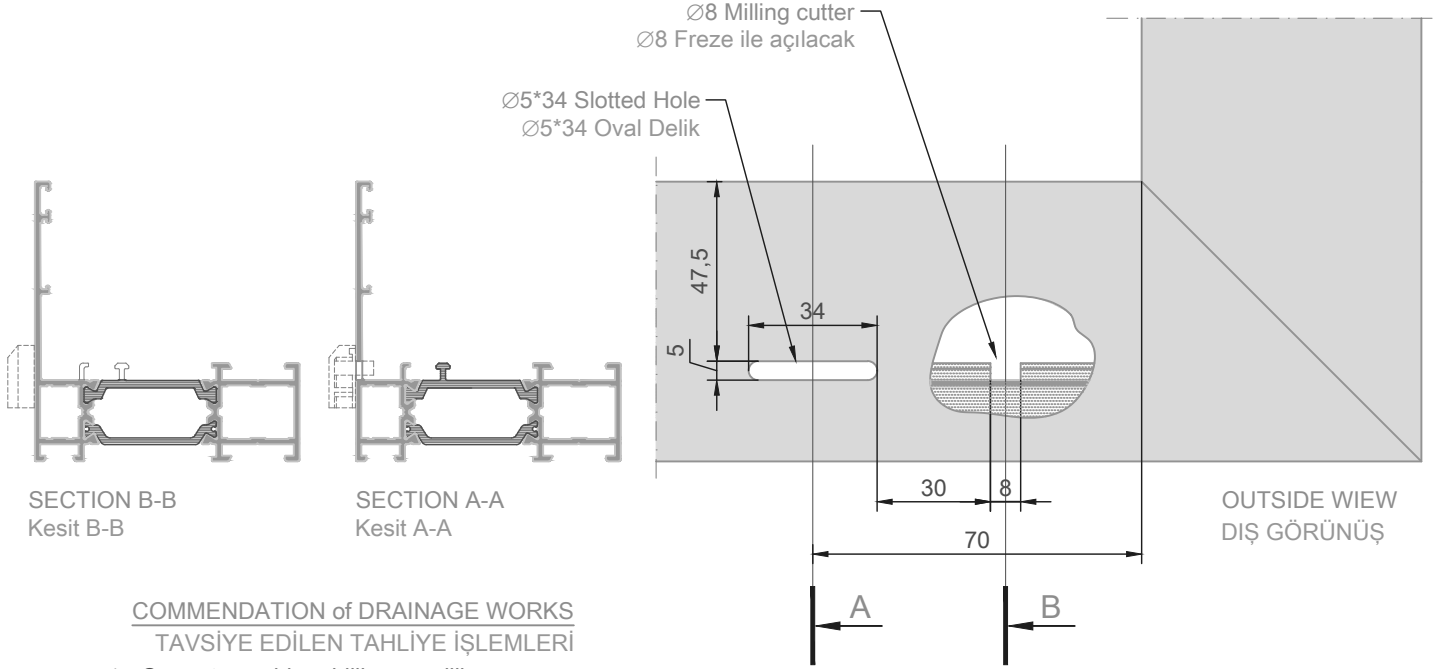
CORNER WIEW
KÖŞE GÖRÜNÜŞÜ



DECOMPRESSION IN FIXED WINDOW
SABİT PENCEREDE BASINÇ Dengeleme

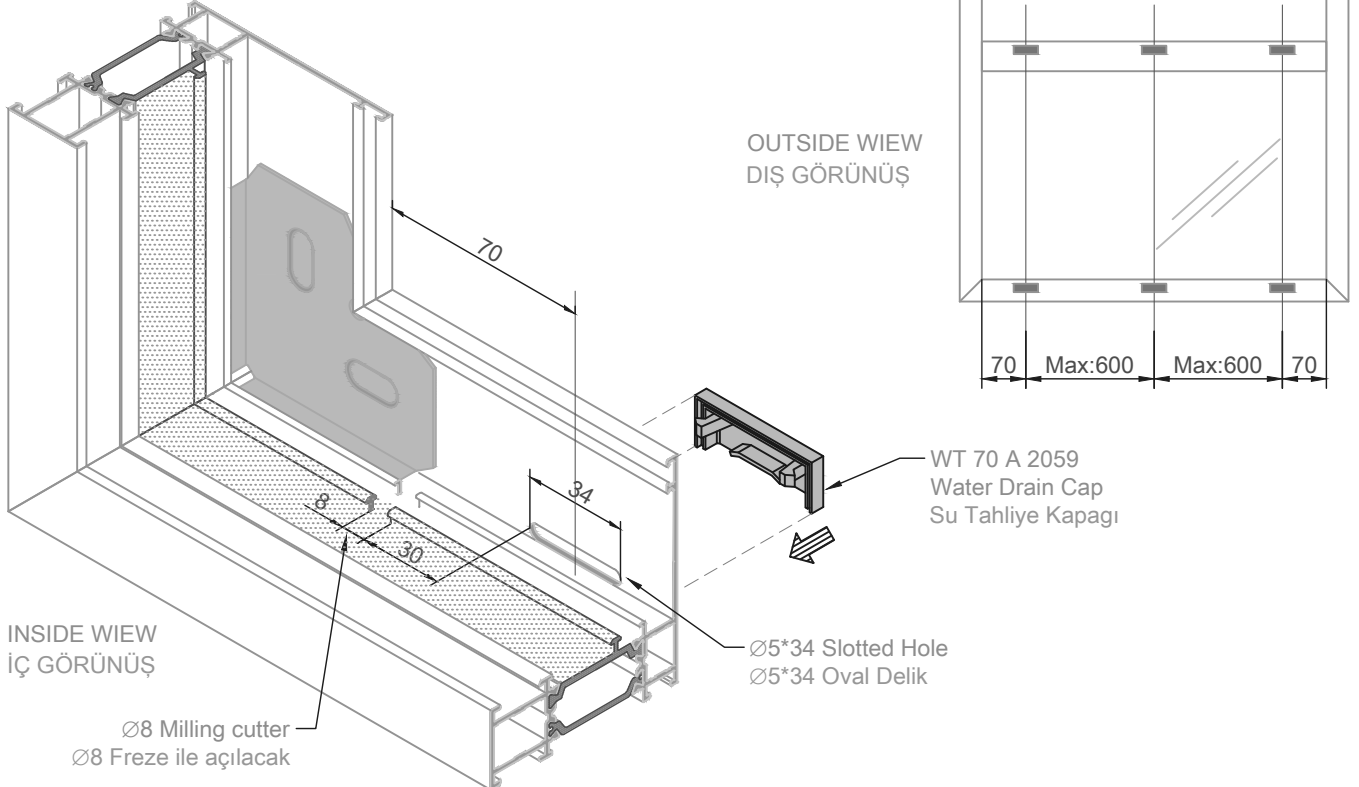


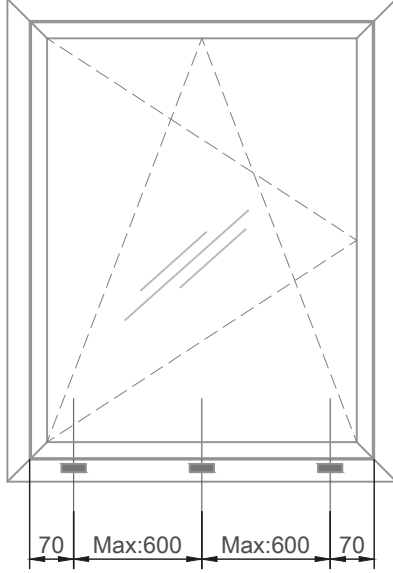
BOTTOM WIEW
ALT TAN GÖRÜNÜŞÜ



COMMENDATION of DRAINAGE WORKS TAVSİYE EDİLEN TAHLİYE İŞLEMLERİ

- 1 - Correct punching, drilling or milling
Belirtilen delikler için uygun pres freze, kertme yapılmalı.
- 2 - Deburring and Removing dust and saw-dust (if necessary)
Çapaklar ve testere tozları alınmalı (eger gerekli ise)
- 3 - Degreasing with degreaser
Yağ artıkları yağ çözücü ile temizlenmeli
- 4 - Applying anti-corrosion product
Korozyon önleyici ürün uygulanmalı

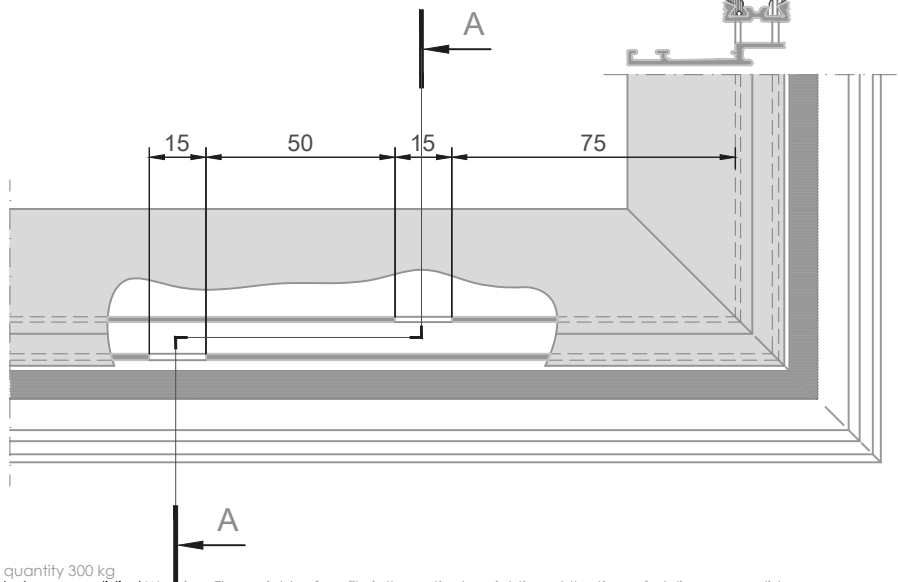
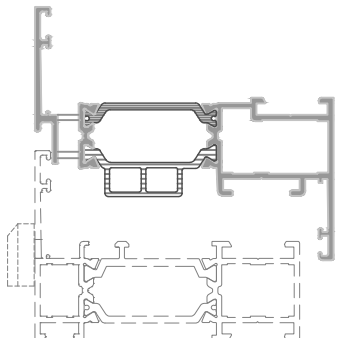
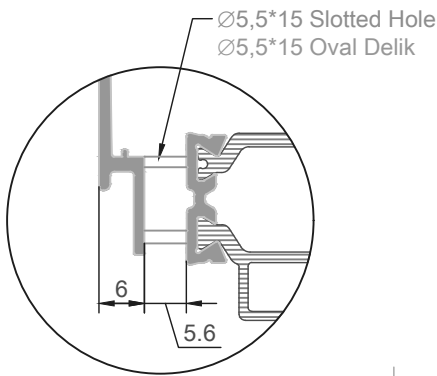
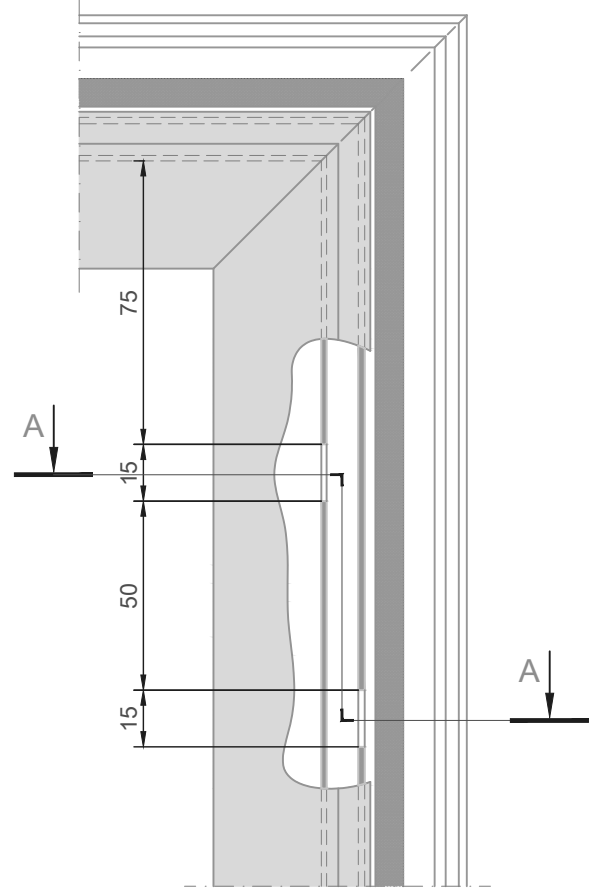




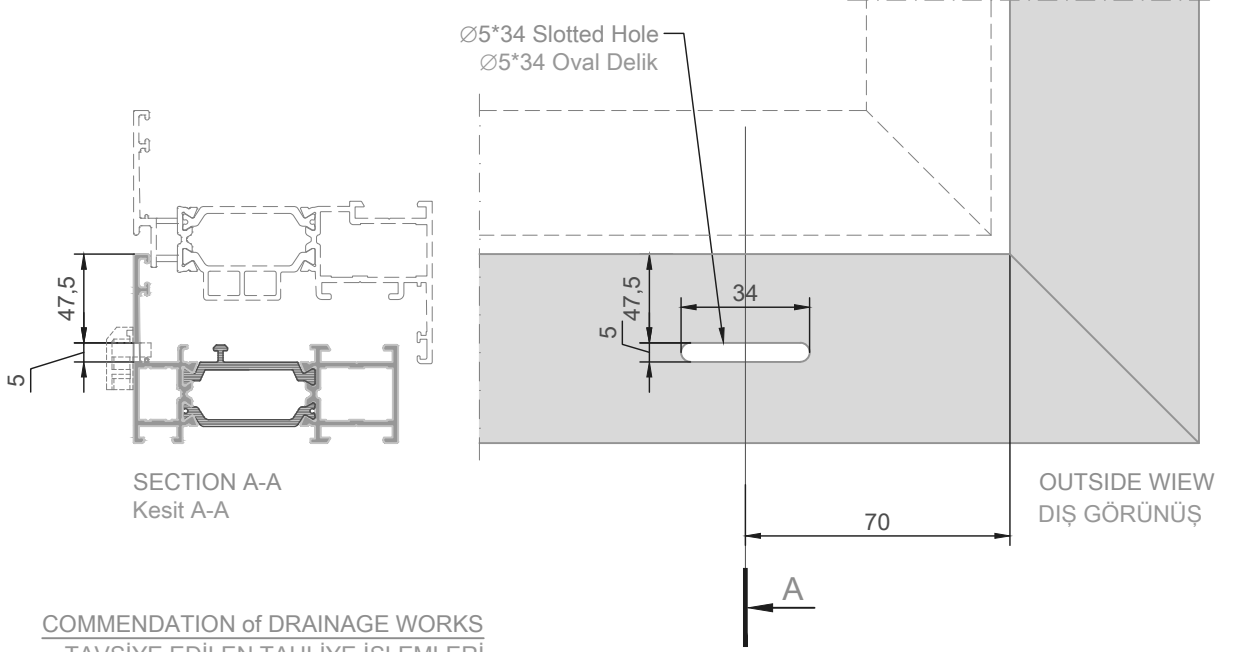
OUTSIDE VIEW
DIŞ GÖRÜNÜŞÜ

COMMENDATION of DRAINAGE WORKS TAVSİYE EDİLEN TAHLİYE İŞLEMLERİ

- 1 - Correct punching, drilling or milling
Belirtilen delikler için uygun pres freze, kертme yapılmalı.
- 2 - Deburring and Removing dust and saw-dust (if necessary)
Çapaklar ve testere tozları alınmalı (eger gerekli ise)
- 3 - Degreasing with degreaser
Yag artıkları yag çözücü ile temizlenmeli
- 4 - Applying anti-corrosion product
Korozyon önleyici ürün uygulanmalı

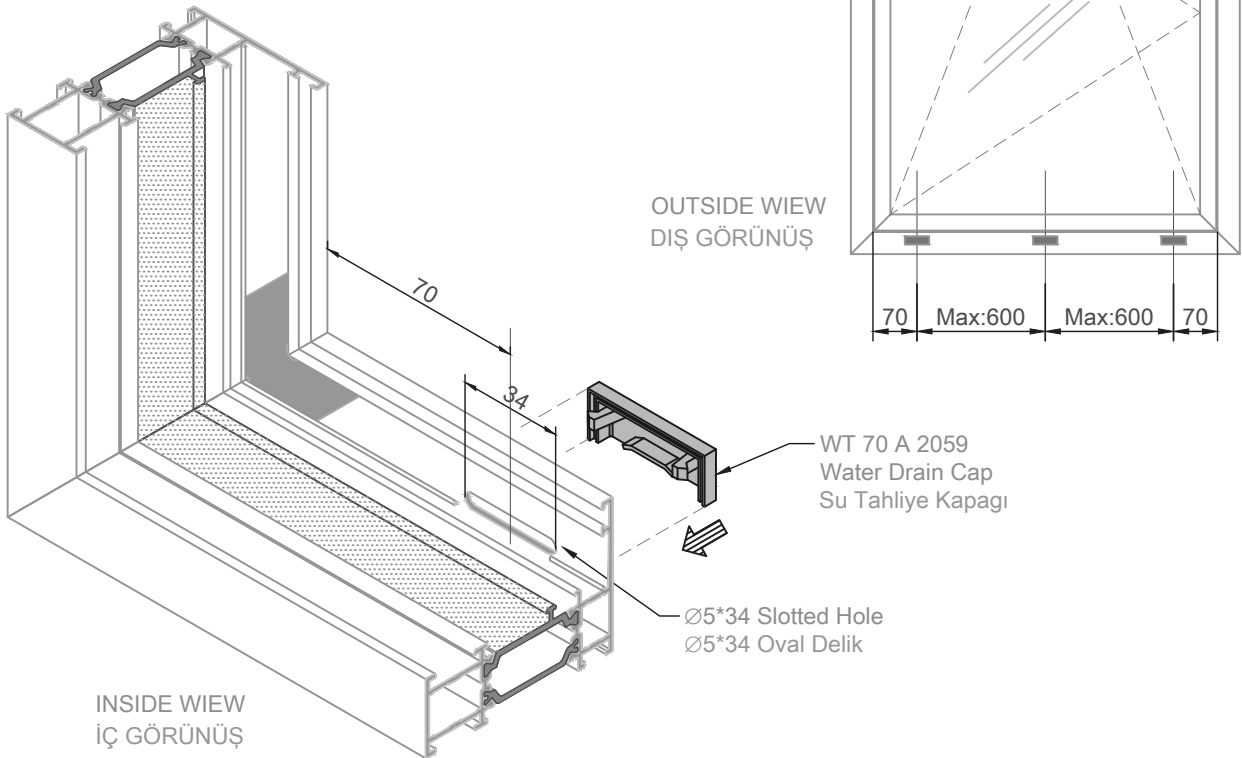


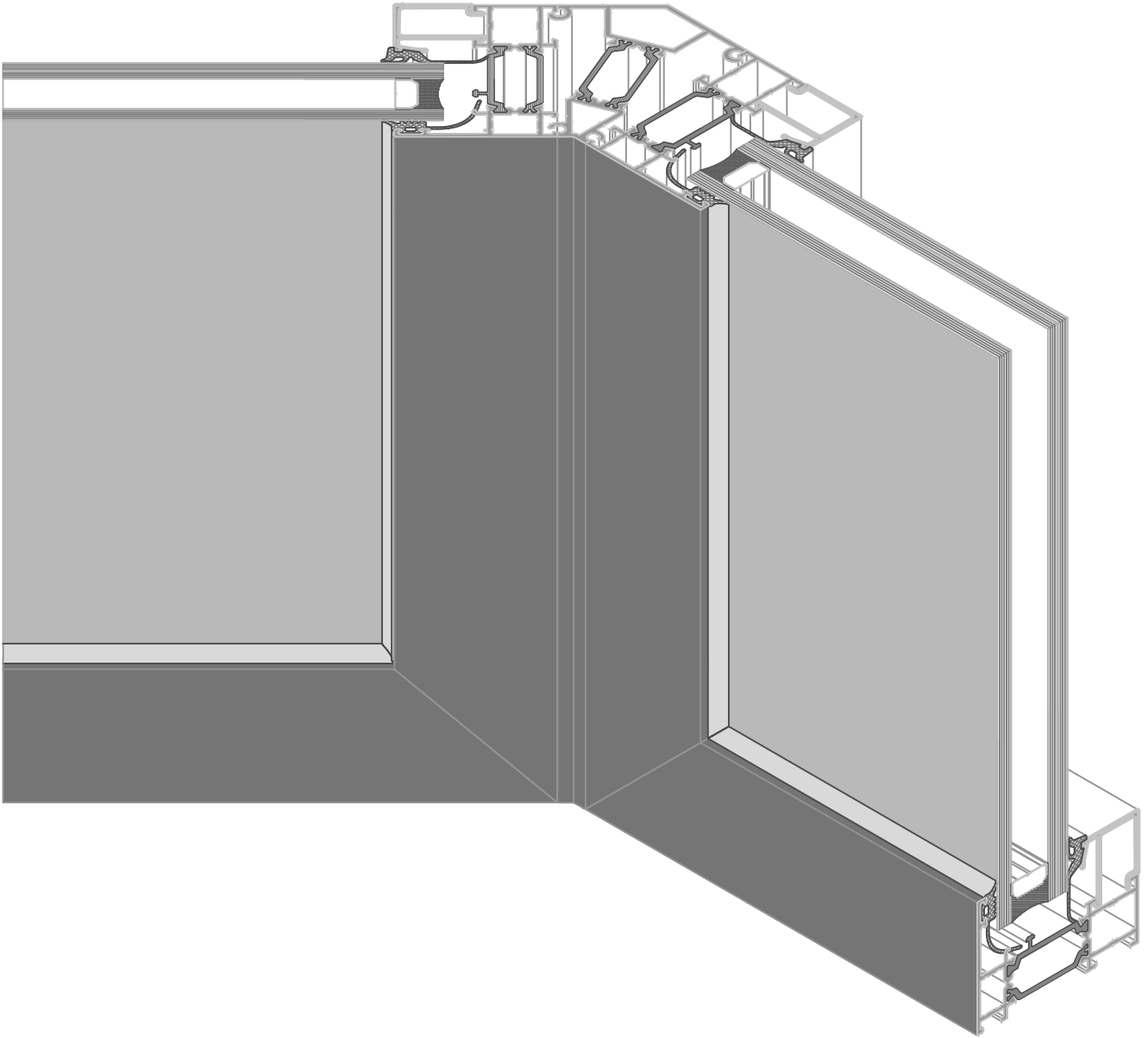
Sipariş miktar minimum 300 kg dir. / Minimum order quantity 300 kg
Uyarı: Profil ağırlıklarımız teorik olup ; teslim anındaki tartımız geçerlidir. / Warning: The weights of profile is theoretical, weighting at the time of delivery are valid

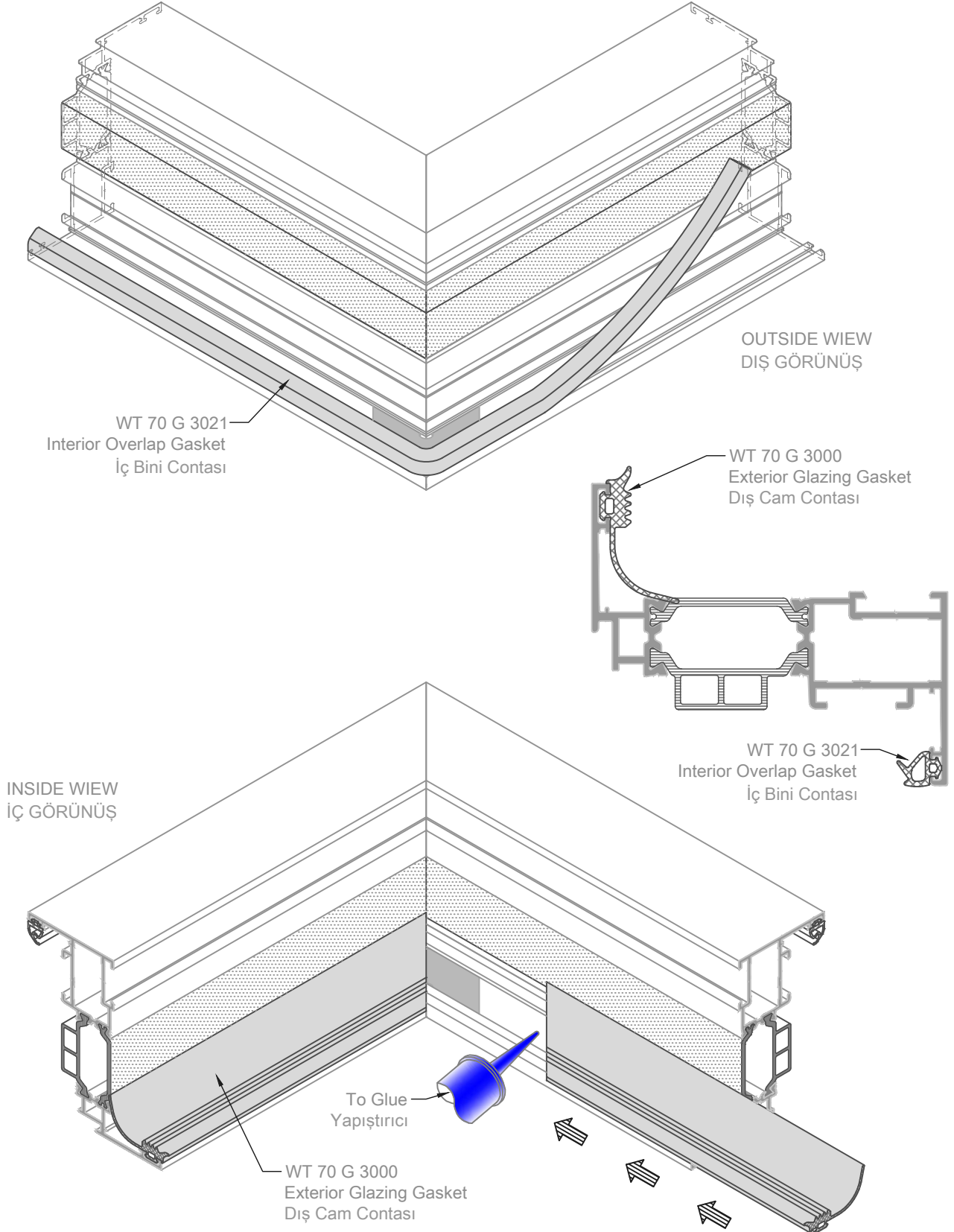


COMMENDATION of DRAINAGE WORKS TAVSİYE EDİLEN TAHLİYE İŞLEMLERİ

- 1 - Correct punching, drilling or milling
Belirtilen delikler için uygun pres freze, kертme yapılmalı.
- 2 - Deburring and Removing dust and saw-dust (if necessary)
Çapaklar ve testere tozları alınmalı (eger gerekli ise)
- 3 - Degreasing with degreaser
Yağ artıkları yağ çözücü ile temizlenmeli
- 4 - Applying anti-corrosion product
Korozyon önleyici ürün uygulanmalı



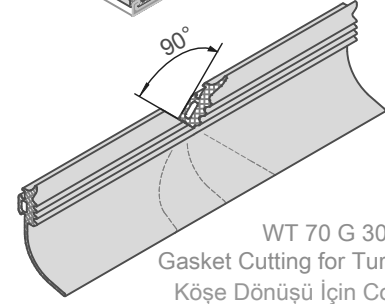




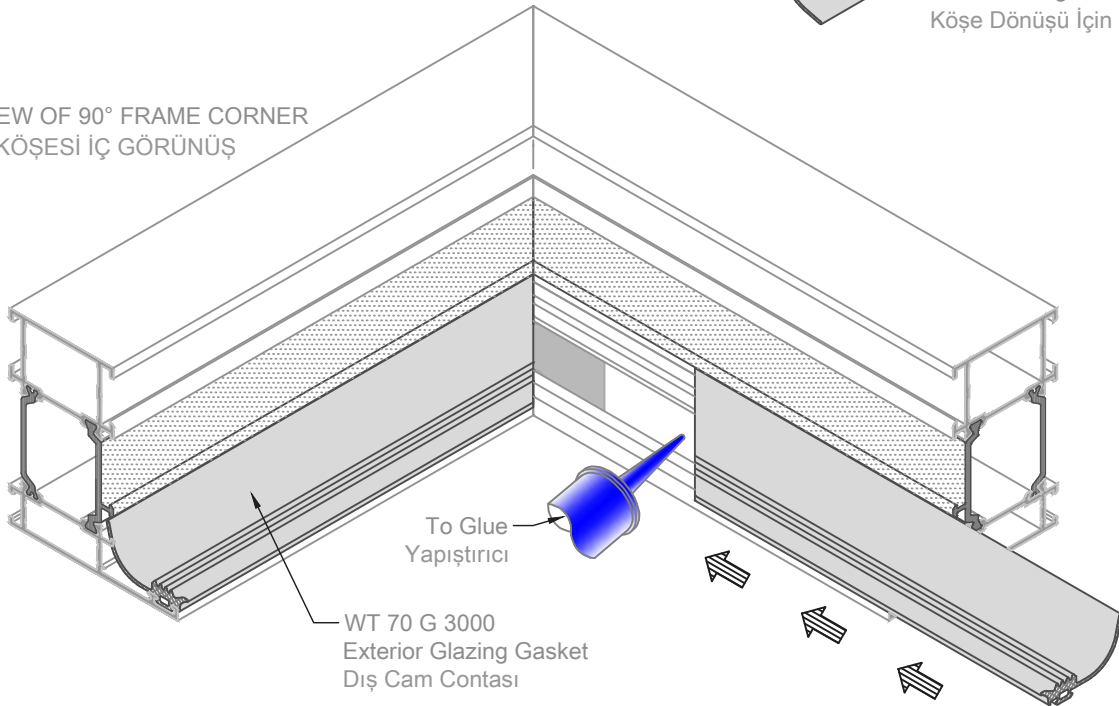
Adjust the Gasket on the Corner
Conta Köşe dönüşü uyacak
şekilde ayarlanır

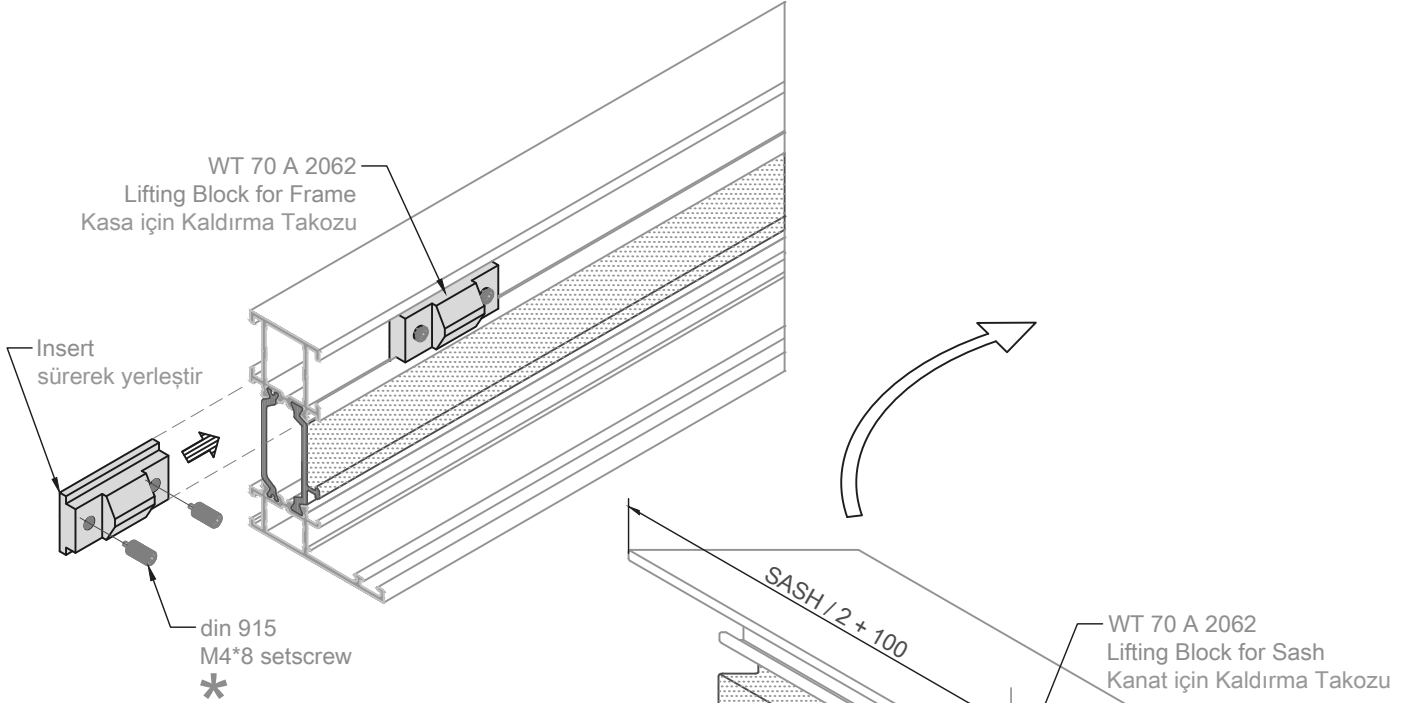
INSIDE VIEW OF T-JOINTS FRAME
T BİRLEŞİM KASA İÇ GÖRÜNÜŞÜ

WT 70 G 3000
Exterior Glazing Gasket
Dış Cam Contası

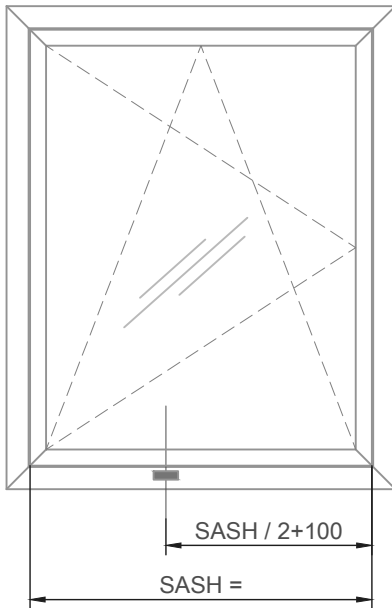


INSIDE VIEW OF 90° FRAME CORNER
90° KASA KÖŞESİ İÇ GÖRÜNÜŞÜ





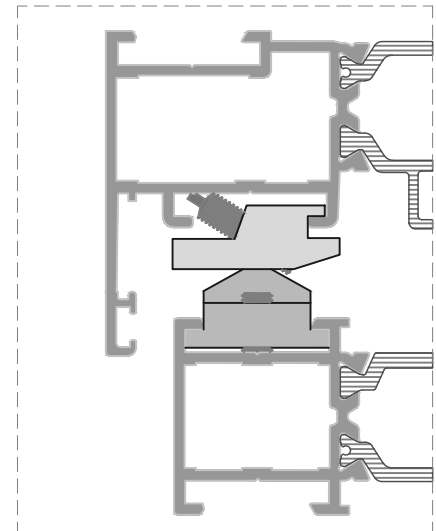
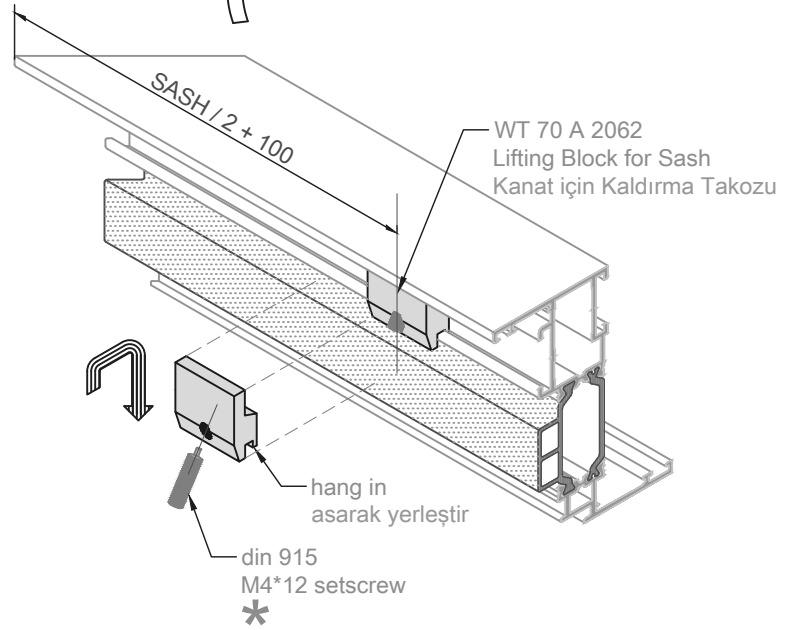
* Tighten screw until it punches through the profile wall
Profil duvarı delinene kadar vida sıkılır

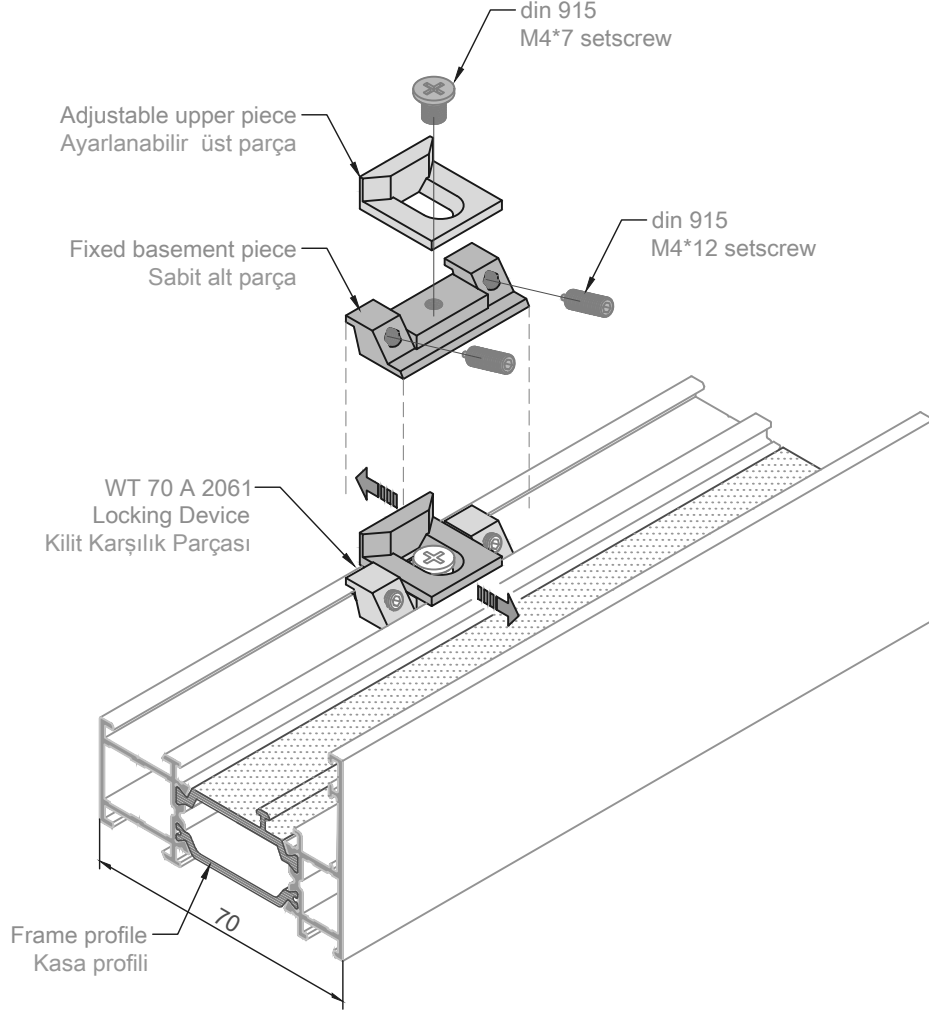


OUTSIDE WIEW
DIŞ GÖRÜNÜŞ

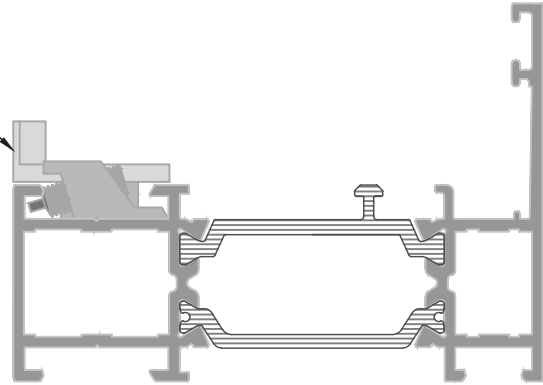
for all accessories: if SASH > 1200 mm

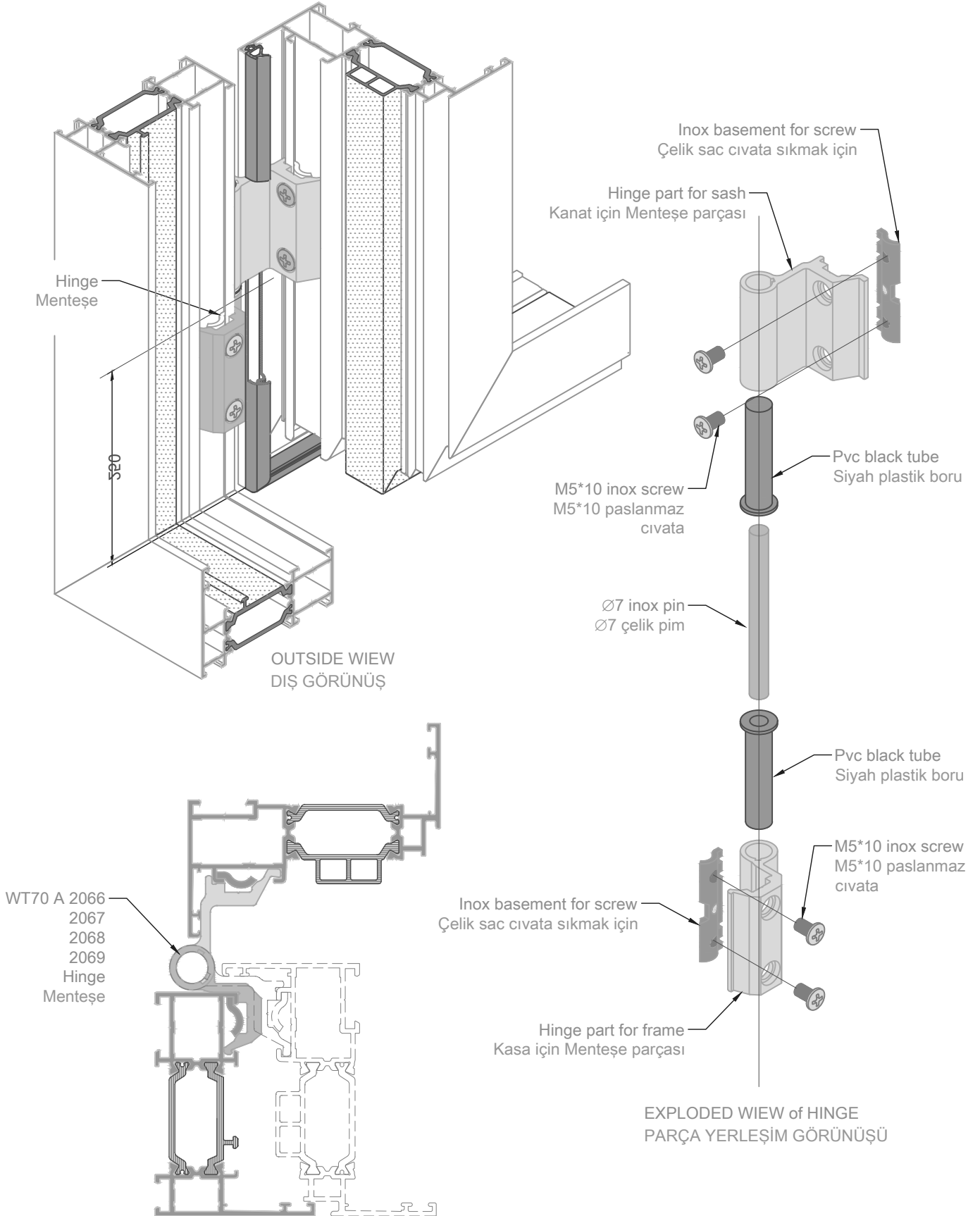
Tüm aksesuarlar için: eger kanat genişliği 1200mm ve üzeri ise

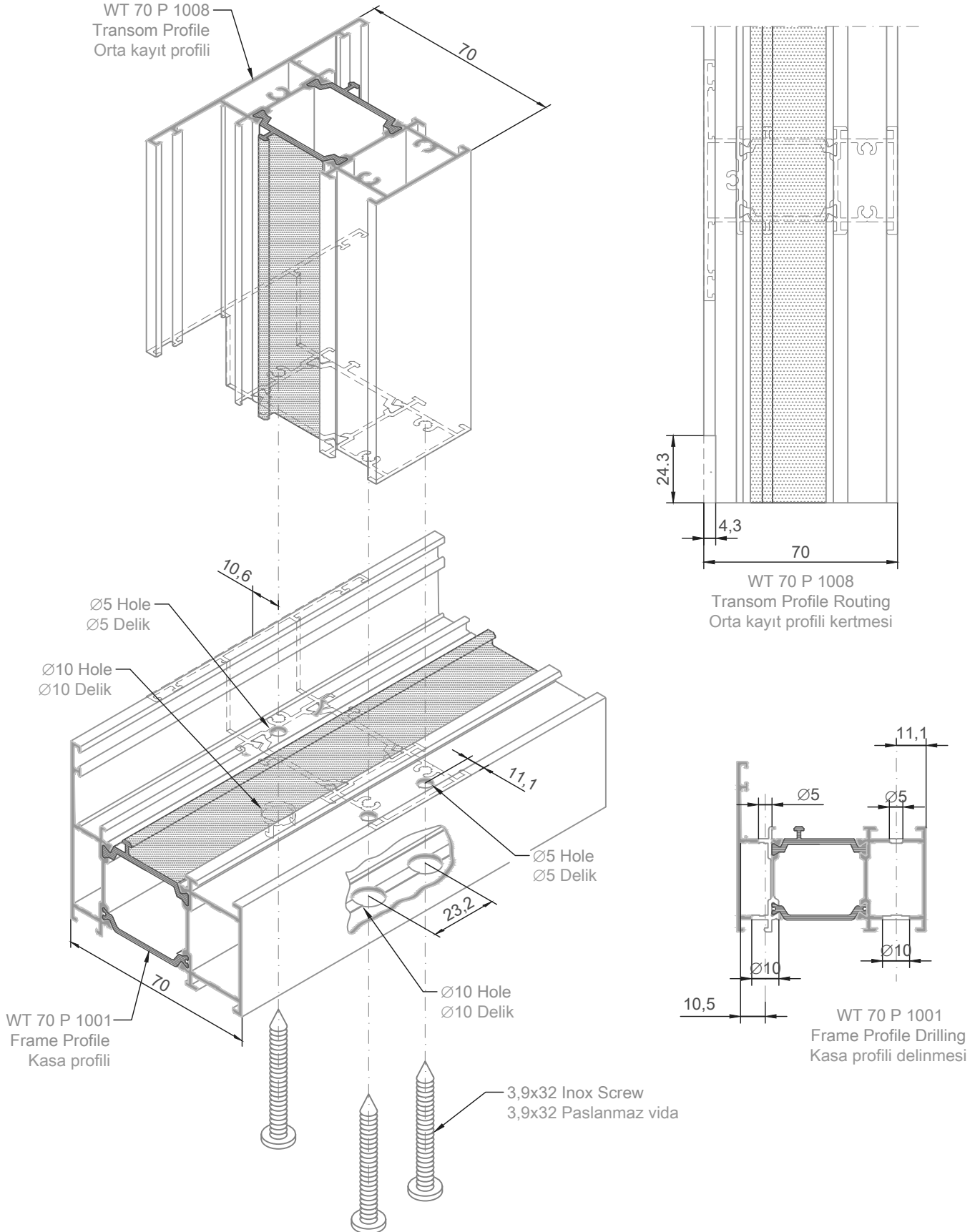


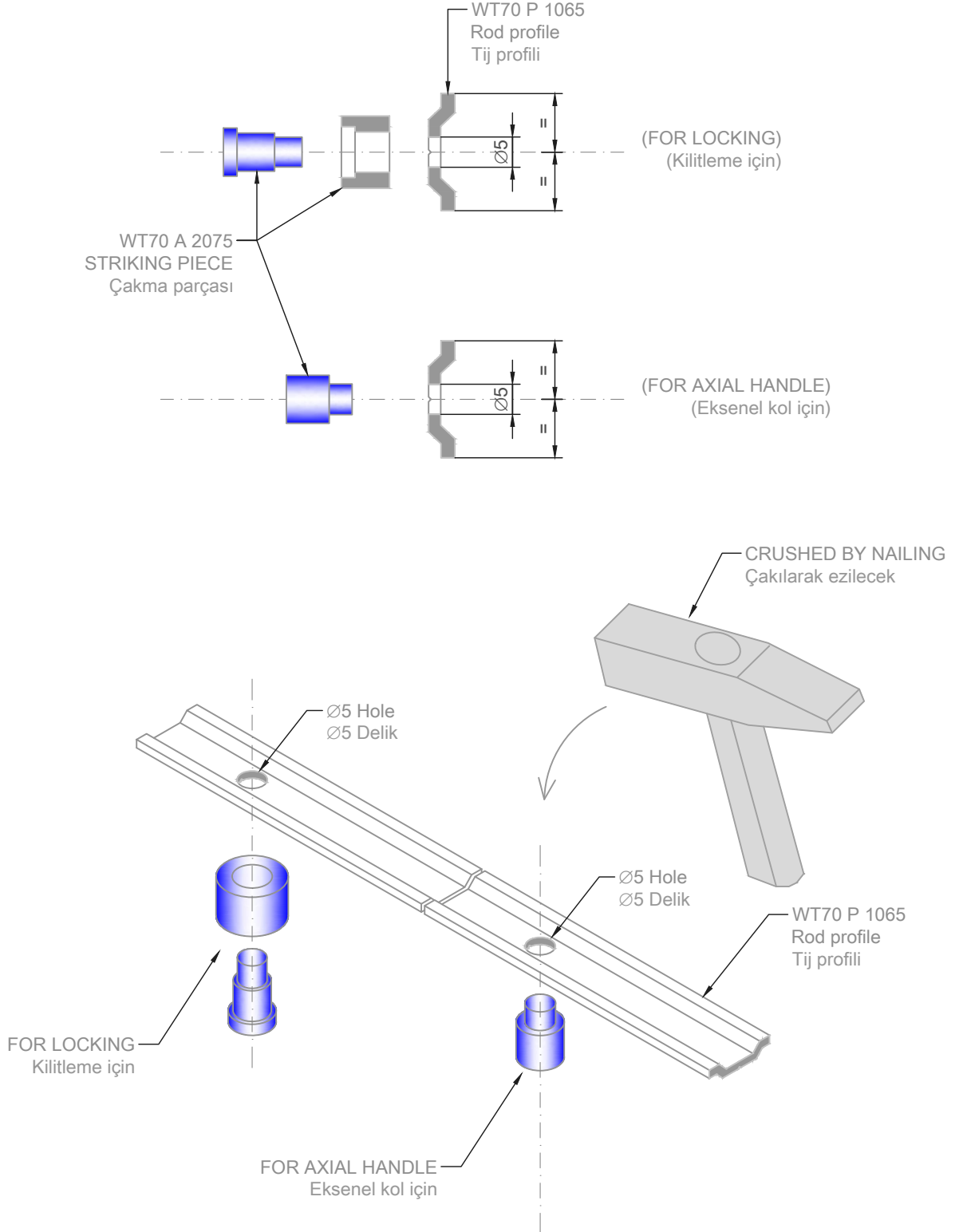


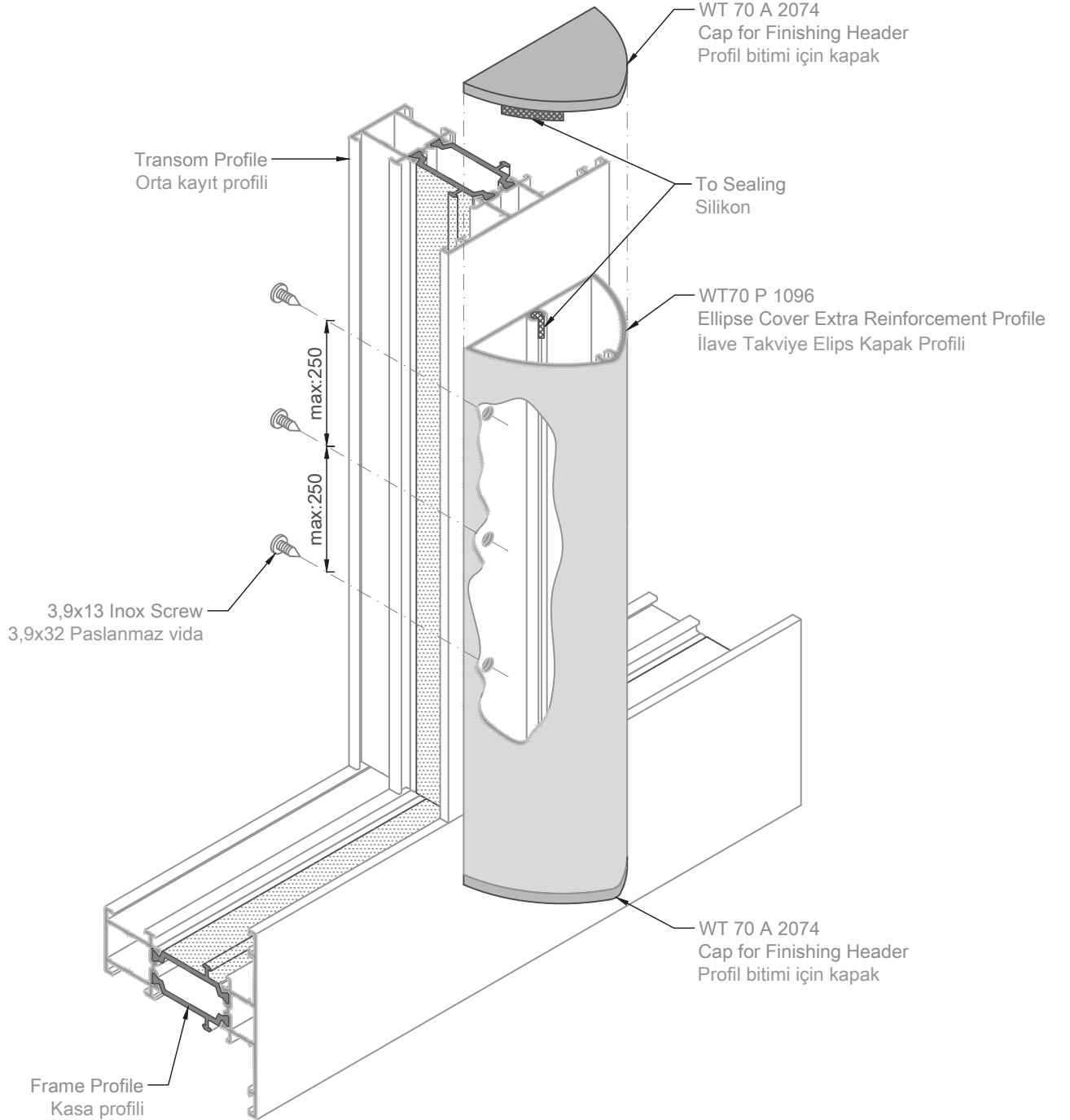
WT 70 A 2061
Locking Device
Kilit Karşılık Parçası











since

1980

www.saray.com

TR | ENG



EWT 70

Kapı - Pencere Sistemleri | Door - Window Systems
Copyright: SARAY BLC.v2 | 10.2023

SARAY DÖKÜM ve MADENİ AKSAM SAN. TUR. A.Ş.